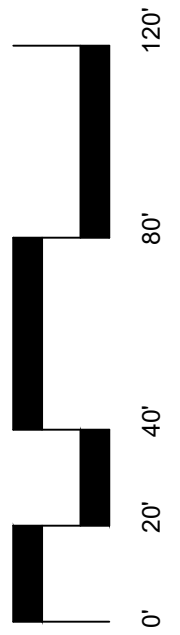
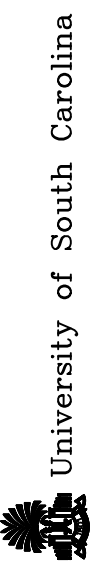


GRAPHIC SCALE 1" = 40'-0"



1 OF 2
SHEET IN SET

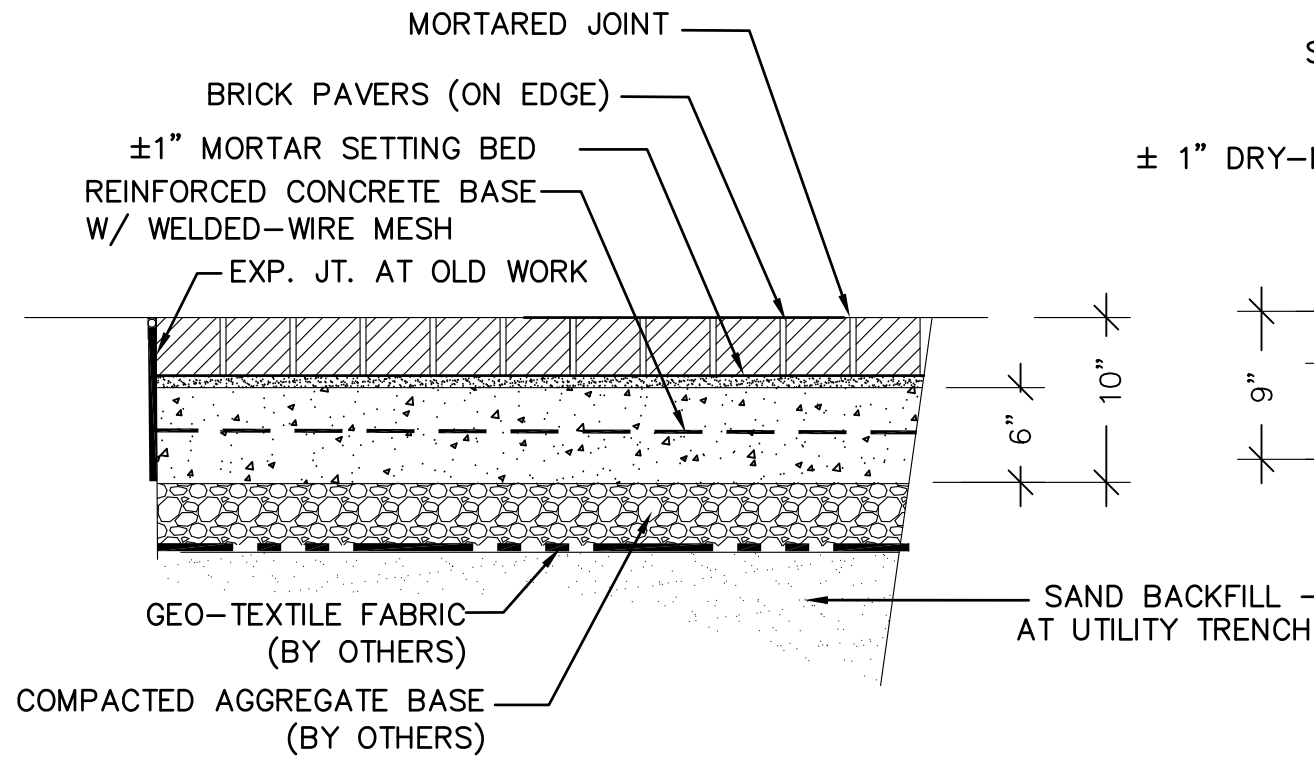
PROJECT TITLE: UTILITY BRICK REPAIR
USC HORSESHOE



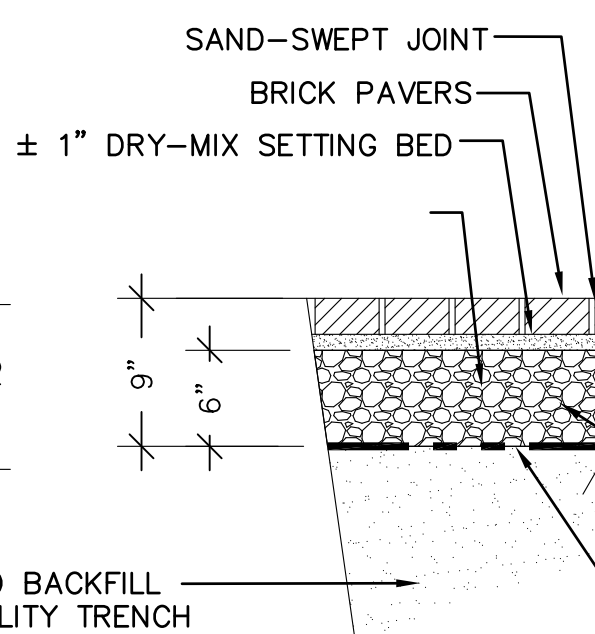
BUILDING:	DRAWING:	DATE:	DRAWN BY:	CHECKED BY:	SEAL:
REV:	###	15 APR 18	EFJ	EFJ	
DESCRIPTION	DATE	DATE	ORIG. BY	DRAWN BY	

CAMPUS PLANNING
AND CONSTRUCTION
COLUMBIA, SC 29208

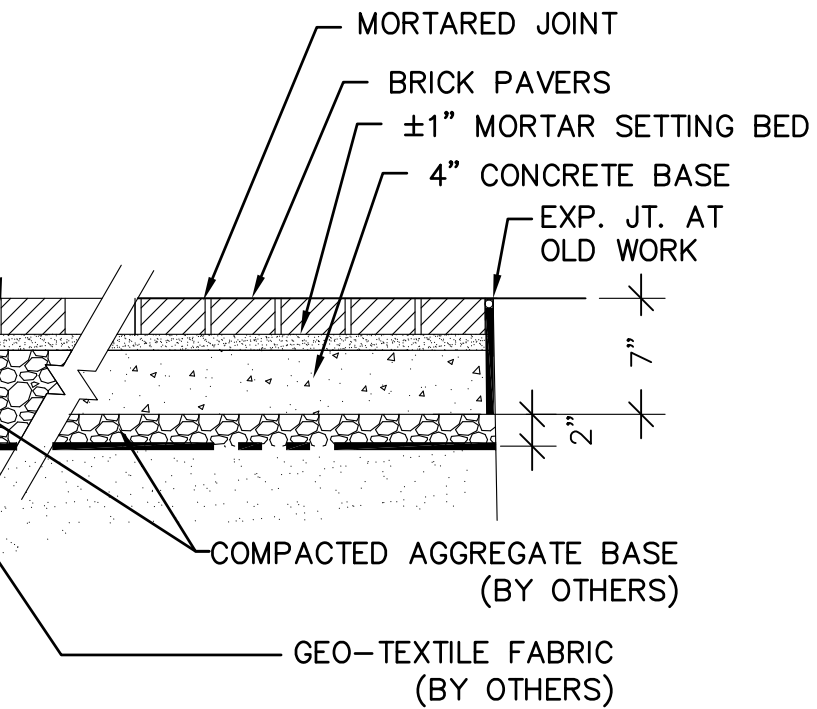
PAVERS AT HORSESHOE DRIVE



ENGRAVED BRICK PAVERS



MORTARED BRICK PAVERS



1 BRICK PAVERS AT HORSESHOE DRIVE
1" = 1'-0"

2 BRICK PAVERS AT WALKWAYS
1" = 1'-0"

DEMOLITION NOTES:

- BRICKS WITHIN THE PHASE 1 WORK ZONE TO BE REMOVED BY UTILITY CONTRACTOR PRIOR TO UTILITY WORK. SUBSEQUENT BRICK REMOVAL TO BE BY PAVING CONTRACTOR.
- ONE SIDE OF THE DRIVEWAY SHALL REMAIN ACCESSIBLE AT ALL TIMES.
- BRICKS SHALL BE SALVAGED AND STACKED ON PALLETS FOR RE-USE UPON COMPLETION OF UTILITY REPAIRS. PALLETS OF ENGRAVED BRICK SHALL BE STORED OFF-SITE.
- BRICK SHALL BE CLEANED OF MORTAR.
- ENGRAVED BRICK SHALL BE CAREFULLY REMOVED AND REPLACED IN SAME LOCATION/POSITION. DIAGRAMS ARE AVAILABLE FOR ACCURATE PLACEMENT.

CONSTRUCTION NOTES:

- LIMITED QUANTITIES OF ADDITIONAL BRICK WILL BE PROVIDED BY USC. CONTRACTOR TO BE RESPONSIBLE FOR PICK-UP AT USC BRICKYARD.
- UTILITY CONTRACTOR IS RESPONSIBLE FOR PLACEMENT OF AGGREGATE BASE COURSE UPON COMPLETION OF UTILITY REPAIRS. PAVING CONTRACTOR IS RESPONSIBLE FOR ACHIEVING REQUIRED COMPACTION AND SUITABLE DEPTH.
- PROVIDE EXPANSION JOINTS WHERE CONCRETE BASE MEETS EXISTING WORK. PROVIDE CONTROL JOINTS IN CONCRETE BASES WHERE PANELS EXCEED 20'X20'.
- BRICK PAVEMENTS SHALL BE RESTORED TO EQUAL OR BETTER CONDITIONS IN ADJACENT AREAS.
- BRICK BORDERS, EITHER FLUSH, CURBED, OR METAL-EDGED, SHALL BE INSTALLED TO MEET AND MATCH EXISTING CONDITIONS.
- MORTAR SELECTIONS SHALL BE APPROVED BY THE LANDSCAPE ARCHITECT. PROVIDE SAMPLES TO MATCH EXISTING CONDITIONS; MULTIPLE MORTAR COLORS MAY BE REQUIRED. TYPICAL COLORED MORTAR IS 'KHAKI' BY ARGOS OR 'LIME PUTTY' BY HOLCIM.

SEAL:	
CHECKED BY: EFJ	
ORIG. BY: DRAWN BY:	
DATE:	
DATE: 15 APR 18	
DESCRIPTION:	
DRAWING: ###	
BUILDING:	
REV.:	