

## PLUMBING FIXTURE SCHEDULE (OWNER FURNISHED)

P. NO.	FIXTURE	MFR.	NAME	MFRS. NO.	SIZE	MIN. SUPPLY		REMARKS
						CW	HW	
P-1	WATER CLOSET	KOHLER	KINGSTON	K-4325	---	1"	--	WITH SLOAN MODEL 111-1.28 OPTIMA SMO SENSOR FLUSH VALVE AND BEMIS 1655SCT SEAT.
P-2	ACCESSIBLE WATER CLOSET	KOHLER	KINGSTON	K-4325	---	1"	--	WITH SLOAN MODEL 111-1.28 OPTIMA SMO SENSOR FLUSH VALVE AND BEMIS 1655SCT SEAT.
P-3	URINAL	KOHLER	DEXTER	K-5016-ET	---	3/4"	--	WITH SLOAN MODEL 186-0.5 OPTIMA SMO SENSOR FLUSH VALVE, AND CHAIR CARRIER.
P-4	LAVATORY	ELKAY	ASANA	ELUH12LV	14-3/8"x14-3/8"	3/8"	3/8"	WITH DELTA MODEL 3538-MPUDST FAUCET WITH STAINLESS FINISH, WATTS SERIES LFUSG-BASSE 1070 APPROVED MIXING VALVE, McGUIRE 155 GRID DRAIN, McGUIRE H165 3/8" CAST BRASS SUPPLIES WITH STOPS, AND McGUIRE 8872 1-1/4" P-TRAP.
P-5	SINK	ELKAY	LUSTERTONE	ELUHAD1212	14½"x14½"	1/2"	1/2"	WITH SPEAKMAN MODEL SC-3004-FC-LD FAUCET, LK-35 CUP STRAINER, McGUIRE H2167 1/2" CAST BRASS SUPPLIES WITH STOPS, AND McGUIRE 8912 1-1/2" P-TRAP.
P-6	THREE COMPARTMENT SINK	JOHN BOOS	---	3PB18-2D18	93¼"x23½"	(2) 1/2"	(2) 1/2"	WITH 16 GAUGE TYPE 300 STAINLESS STEEL CONSTRUCTION, (2) T&S BRASS MODEL B-0231 WALL MOUNT MIXING FAUCETS, AND McGUIRE H2167 1/2" CAST BRASS SUPPLIES WITH STOPS.
P-7	JANITOR'S SINK	STERN WILLIAMS	---	HL-1800-BP	24"x24"	1/2"	1/2"	WITH SPEAKMAN MODEL SC-5811-RCP FAUCET, STAINLESS STEEL GRID DRAIN, AND STAINLESS STEEL BACK PANELS.
P-8	HAND SINK	EAGLE	---	HSA-10-F	18 7/8"x14 3/4"	1/2"	1/2"	WITH HEAVY GAUGE TYPE 304 STAINLESS STEEL ALL-WELDED CONSTRUCTION, SPLASH MOUNTED GOOSENECK FAUCET, McGUIRE H2167 1/2" CAST BRASS SUPPLIES WITH STOPS, AND McGUIRE 8912 1-1/2" P-TRAP.
P-9	HOSE BIB	WOODFORD	---	MODEL 24	---	3/4"	--	MOUNTED AT 3'-0" ABOVE FINISHED FLOOR.
WH-1	WATER HEATER	STATE	PATRIOT	PCE-82-20RTA	80 GALLONS	3/4"	3/4"	WITH 9 KW INPUT AT 208V 3P. PROVIDE STATE, OR APPROVED EQUAL MODEL ETC-5X EXPANSION TANK, HOLDRITE MODEL 40-S-30 WATER HEATER STAND, AND B&G MODEL NBF-22U RECIRCULATION PUMP.
WH-2	WATER HEATER	STATE	PATRIOT	PCE-20-10MSA	20 GALLONS	3/4"	3/4"	WITH 2.5 KW INPUT AT 120V 1P. PROVIDE STATE, OR APPROVED EQUAL MODEL ETC-2X EXPANSION TANK.
WH-3	WATER HEATER	STATE	PATRIOT	PCE-20-10MSA	20 GALLONS	3/4"	3/4"	WITH 2.5 KW INPUT AT 120V 1P. PROVIDE STATE, OR APPROVED EQUAL MODEL ETC-2X EXPANSION TANK.
WH-4	WATER HEATER	STATE	PATRIOT	PCE-20-10MSA	20 GALLONS	3/4"	3/4"	WITH 2.5 KW INPUT AT 120V 1P. PROVIDE STATE, OR APPROVED EQUAL MODEL ETC-2X EXPANSION TANK.
WH-5	WATER HEATER	EEMAX	---	EX8208	---	1/2"	1/2"	WITH 8.3 KW INPUT AT 208V 1P.
FD	FLOOR DRAIN	ZURN	---	ZN-415-S	---	--	--	WITH 5"x5" NICKLE BRONZE STRAINER, P-TRAP, AND PROSET, OR APPROVED EQUAL TRAP GUARD.
FS	FLOOR SINK	ZURN	---	Z-1900-2	---	--	--	WITH 12x12 WHITE INTERIOR WITH HALF GRATE.
GT	GREASE TRAP	ZURN	---	Z-1170	700	--	--	WITH ACID RESISTANT COATED FABRICATED STEEL AND INTEGRAL FLOW CONTROL.

NOTE: ALL EQUIPMENT INDICATED ON THIS PLUMBING FIXTURE SCHEDULE IS FURNISHED BY THE OWNER FOR INSTALLATION BY THIS CONTRACTOR. OWNER FURNISHED EQUIPMENT SHALL BE DELIVERED AND STORED ON THE GROUND LEVEL OF WILLIAMS-BRICE STADIUM.

NOTE: SEE ARCHITECTURAL DRAWINGS FOR MOUNTING HEIGHTS OF ALL WALL MOUNTED FIXTURES.

**APPROVED EQUALS:**

PLUMBING FIXTURES: KOHLER COMPANY, AMERICAN-STANDARD PLUMBING & HEATING DIVISION COMPANY, JUST MANUFACTURING COMPANY, ELKAY MANUFACTURING COMPANY, STERN WILLIAMS, FIAT, ZURN INDUSTRIES.

FLUSH VALVES: SLOAN VALVE COMPANY, COYNE & DELANY COMPANY, ZURN INDUSTRIES (PL MODEL ONLY)

WATER CLOSET SEATS: CHURCH SEAT COMPANY, BENEKE, OLSONITE CORP., BEMIS MFG. CO., CENTOCO

FLOOR DRAINS, CLEANOUTS, INTERCEPTORS, ETC.: WADE, INC., ZURN INDUSTRIES INC., JOSAM MANUFACTURING COMPANY, JAY R. SMITH

WATER HEATING EQUIPMENT: RHEEM MANUFACTURING COMPANY, RUDD, STATE INDUSTRIES, LOCHINVAR, A.O. SMITH

PLUMBING TRIM: DELTA COMMERCIAL FAUCET COMPANY, CHICAGO FAUCETS, SPEAKMAN, T&S BRASS AND BRONZE WORKS INC., ZURN INDUSTRIES, SYMMONS ENGINEERING COMPANY

RECIRCULATING PUMPS: BELL & GOSSETT COMPANY, TACO INC., GRUNDOS

SUPPLIES, TRAPS, ETC.: McGUIRE MANUFACTURING COMPANY, ENGINEERED BRASS COMPANY, ZURN INDUSTRIES

### Features

- Vitreous china.
- Elongated bowl.
- Siphon jet.
- Wall-mount.
- 1-1/2" top spud.
- 1.28 gpf (4.8 lpf) or 1.6 gpf (6 lpf) depending on flushometer specified.
- 10-1/2" (267 mm) x 9" (229 mm) water area.
- 26-1/2" (673 mm) x 16-1/2" (419 mm) x 13-1/4" (337 mm).
- Will replace K-4330 and K-4330-L bowls.

### Optional Accessories

- K-10673 WAVE Touchless Toilet 1.28 gpf Flushometer
- K-13516 Manual 1.6 GPF WC Flushometer
- K-13517 Manual 1.28 GPF WC Flushometer
- K-10674-SV WAVE DC 1.6 GPF WC Flushometer
- K-10956-SV Tripoint™ DC 1.28 GPF WC Flushometer
- K-10957-SV Tripoint™ DC 1.6 GPF WC Flushometer
- K-4731-C Commercial Heavy-duty Toilet Seat
- K-4731-GC Commercial Heavy-duty Toilet Seat
- K-4731-SC Commercial Heavy-duty Toilet Seat
- K-10956 Tripoint™ DC 1.28 GPF WC Flushometer
- K-10674 Wave DC 1.6 GPF WC Flushometer
- K-10957 Tripoint™ DC 1.6 GPF WC Flushometer

### Components

Additional included component/s: Spud.



ADA

CSA B651

OBC

### Codes/Standards





ASME A112.19.2/CSA B45.1  
DOE - Energy Policy Act 1992  
EPA WaterSense®  
California Energy Commission (CEC)  
ADA  
ICC/ANSI A117.1  
CSA B651  
OBC

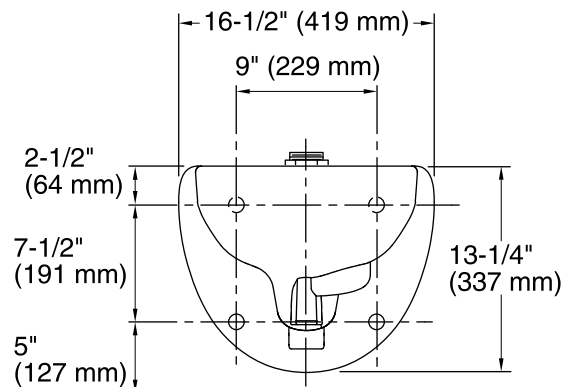
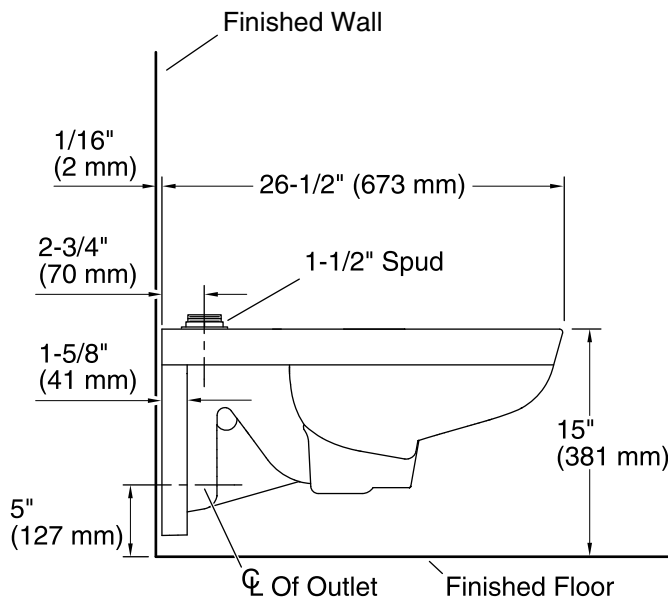
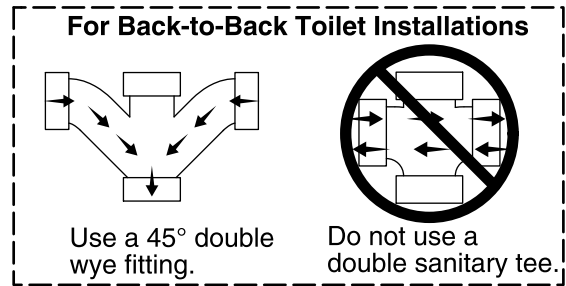
### KOHLER® One-Year Limited Warranty

See website for detailed warranty information.

### Available Color/Finishes

Color tiles intended for reference only.

Color	Code	Description
	0	White
	96	Biscuit
	47	Almond
	7	Black Black™



### Technical Information

All product dimensions are nominal.

Toilet type:	Flushometer, Wall-mount
Waste Outlet:	Wall
Bowl shape:	Elongated front
Spud size:	1-1/2", Inlet, Top
Trap passageway:	2-1/8" (54 mm)
Water surface size:	10-1/2" x 9" (267 mm x 229 mm)
Rim to water surface:	5-1/4" (133 mm)
Seat-mounting holes:	5-1/2" (140 mm)

### Fixture Supply Requirements

Min static pressure:	35 psi (241.3 kPa)
Max static pressure:	80 psi (551.6 kPa)
Min flowing pressure:	25 psi (172.4 kPa)
Min flow rate:	25 gpm (94.6 lpm)

### Notes

Install this product according to the installation instructions.

Refer to manufacturer's instructions and local codes for flushometer requirements.

For back-to-back toilet installations: Use only a 45° double wye fitting.

ADA, OBC, CSA B651 compliant when installed to the specific requirements of these regulations.

Plumbing Codes require elongated toilets and elongated, open-front toilet seats in public bathrooms.

Accessibility standards require controls to be located on the open side of the toilet.

► **Code Number**

3780115

**P-1 & P-2 FLUSH  
VALVE**

**QTY:10**

► **SPECIFICATIONS**

**Description**

Exposed, Battery Powered, Side Mount Sensor Activated High Efficiency Water Closet Flushometer for floor mounted or wall hung top spud bowls.

**Flush Cycle**

Model 111-1.28 SMO High Efficiency (1.28 gpf/4.8 Lpf)

**Specifications**

Quiet, Exposed, Diaphragm Type, Closet Flushometer for either left or right hand supply with the following features:

- 1" I.P.S. Screwdriver Bak-Chek® Angle Stop with Vandal Resistant Stop Cap
- Spud Coupling and Spud Flange for 1½" Top Spud
- Sweat Solder Adapter with Cover Tube and Cast Wall Flange
- Low Consumption flush accuracy
- Vacuum Breaker Flush Connection
- "User in View" Flashing LED
- No External Volume Adjustment to Ensure Water Conservation
- Infrared Sensor Range Adjustment Screw and Reset Button
- Stop Seat and Vacuum Breaker Molded from PERMEX® Rubber Compound for Chloramine resistance
- Four (4) Size C Batteries included
- ADA Compliant OPTIMA® Battery Powered Infrared Sensor for automatic "No Hands" operation
- Angled Sensor Window
- Manual Override Flush Button
- "Low Battery" Flashing LED with Optional Audio Tone
- Optional 24-Hour Sentinel Flush
- High Chloramine Resistant PERMEX® Synthetic Rubber DFB Dual Filtered Bypass Diaphragm
- Chrome Plated Metal Infrared Sensor Housing

Valve Body, Cover, Tailpiece and Control Stop shall be in conformance with ASTM Alloy Classification for Semi-Red Brass. Valve shall be in compliance with the applicable sections of ASSE 1037, ANSI/ASME A112.19.2. Installation conforms to ADA requirements.

**Variations**

- DFB - Dual Filtered Bypass Diaphragm
- Bumper on Angle Stop

**Accessories (Sold Separately)**

- See Accessories Section and OPTIMA Accessories Section of the Sloan catalog for details on these and other OPTIMA® Flushometer variations.

**Fixtures**

- Consult factory for matching Sloan brand fixture options.

► **ELECTRICAL SPECIFICATIONS**

**Control Circuit**

- Solid State
- 6 VDC Input

**Indicator Lights**

- User in View

**Sensor Type**



► **FEATURES**

**Automatic Operation**

- Sloan OPTIMA SMO equipped Flushometers provide the ultimate in sanitary protection and automatic operation. There is no need for AC hookups or wall alterations. The Flushometer operates by means of a battery powered infrared sensor. Once the user enters the sensor's effective range and then steps away, the Side Mount Unit initiates the flushing cycle to flush the fixture.

**Economical**

- Automatic operation provides water usage savings over other flushing devices. Reduces maintenance and operation costs. Installation does not require turning off water to the valve.

**Hygienic**

- User makes no physical contact with the Flushometer surface except to initiate the Override Button when required. Helps control the spread of infectious diseases.

► **Compliance & Certifications**



This space for Architect/Engineer Approval

► **FUNCTION SETTINGS**

SLOAN 10500 SEYMOUR AVE. • FRANKLIN PARK, • IL. 60131

Ph: 1-800-9-VALVE-9 or 1-847-671-4300 • Fax: 1-800-447-8329 or 1-847-671-4380 • <http://www.sloan.com>



- Infrared Convergence Type Object Lock Detection

### Sensor Range

- Nominal 8" - 54" (203 mm- 1372 mm), Factory Set at 24" (610 mm)

### Battery Type

- (4) C Alkaline

### Battery Life

3 Years @4000 Flushes/Month

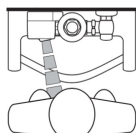
### Operating Pressure

- 15-100 psi (104-689 kPa)

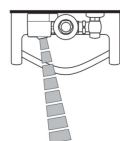
### ► OPERATION



1. A continuous, invisible light beam is emitted from the object lock infrared sensor.



2. As the user enters the beam's effective range, 8" to 54" (203 mm - 1372 mm), the Object Lock Infrared Sensor senses the user.



3. When the user steps away from the object lock Infrared sensor, the circuit initiates the flushing cycle to flush the fixture. The circuit then automatically resets and is ready for the next user.

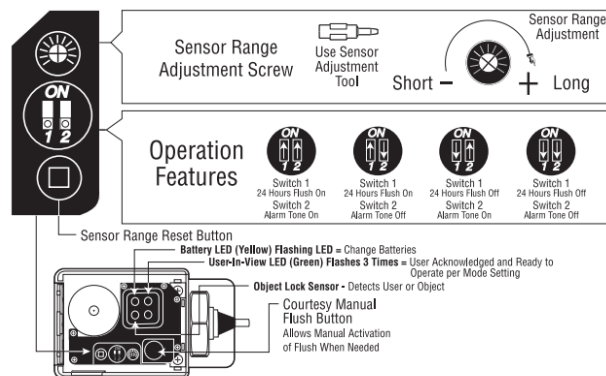
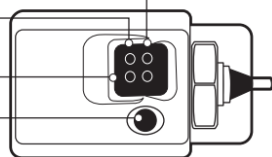
### ► VISUAL INDICATOR GUIDE

**USER-IN-VIEW L.E.D.** — Green light flashes 3 times after 5 second delay when a user is in view. The green light flashes constantly when a user is in view during the 7 minute start up sequence.

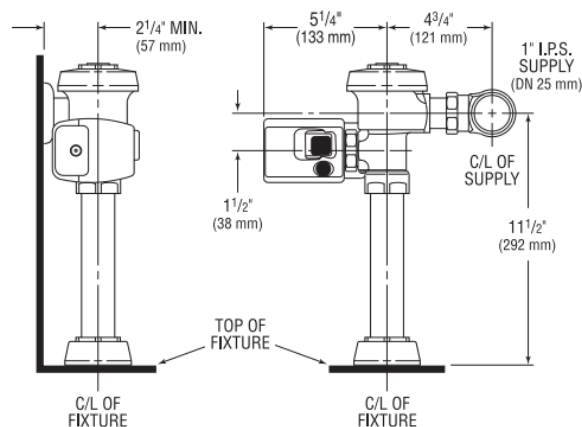
**BATTERY L.E.D.** — Yellow light flashes indicating it is time to replace batteries with four (4) new Type "C" batteries.

**OBJECT LOCK SENSOR** — Detects user or object.

**COURTESY MANUAL FLUSH BUTTON** — Allows manual activation of flush when needed.



### ► ROUGH-IN



Includes EBV-89-A Side Mount Operator



**P-1 & P-2 SEAT**

# COMMERCIAL EXTRA HEAVY-DUTY PLASTIC TOILET SEAT

**QTY:10**

**MODEL #** \_\_\_\_\_ **COLOR #** \_\_\_\_\_

**1655CT/1655SSCT**

## DESCRIPTION:

Open front less cover, elongated, extra heavy-duty, injection molded solid plastic toilet seat. Features four molded-in bumpers, non self-sustaining (1655CT) or self-sustaining (1655SSCT) check hinges with non-corrosive 300 Series stainless steel posts and pintles and STA-TITE® Commercial Fastening System™. This seat complies with IAPMO/ANSI Z124.5-2013 Plastic Toilet Seats as a class Commercial Heavy Duty.

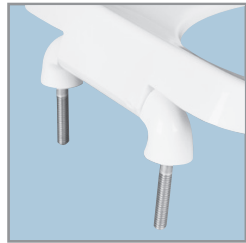
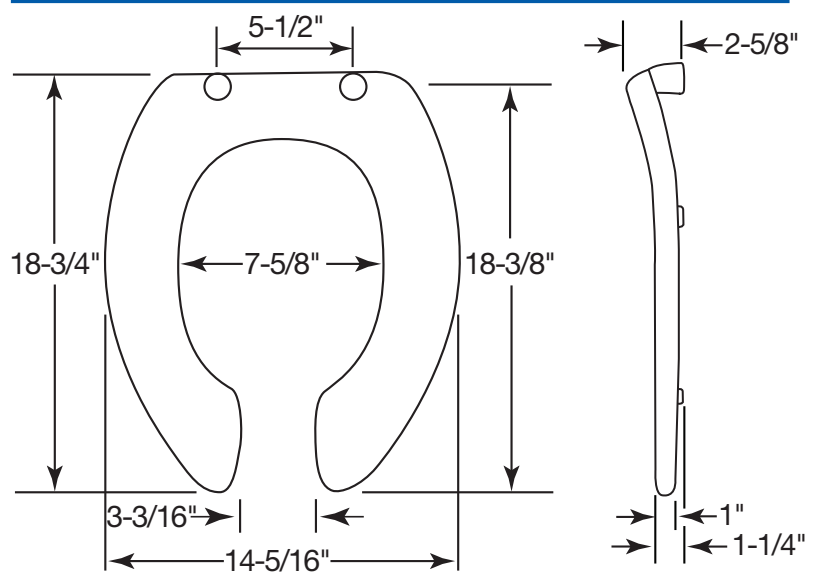
## SPECIFICATIONS:

- Size: Elongated
- Material: Plastic
- Style: Open Front less Cover
- Bumpers: Four
- Hinges: Plastic Non Self-Sustaining (1655CT) or Self-Sustaining (1655SSCT) with 300 Series Stainless Steel Posts and Pintles
- Fastening System: STA-TITE® Commercial Fastening System™

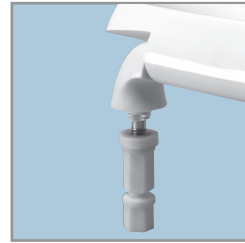
## FEATURES:

- STA-TITE® Commercial Fastening System™
- Non-Corrosive 300 Series Stainless Steel Posts and Pintles

## DIMENSIONS:



**PLASTIC HINGES WITH STAINLESS STEEL POSTS AND PINTLES**



**STA-TITE® COMMERCIAL FASTENING SYSTEM™**

Proudly Made in the USA

**Bemis Manufacturing Co., Sheboygan Falls, WI 53085**  
[www.ToiletSeats.com](http://www.ToiletSeats.com)

**Phone: 800-558-7651 Fax: 800-292-3647**  
**©2014 0B7012285 REV C**



# Z1201-N\_4

EZCARRY® ADJUSTABLE HORIZONTAL HIGH PERFORMANCE SIPHON JET NO-HUB WATER CLOSET CARRIER SYSTEM

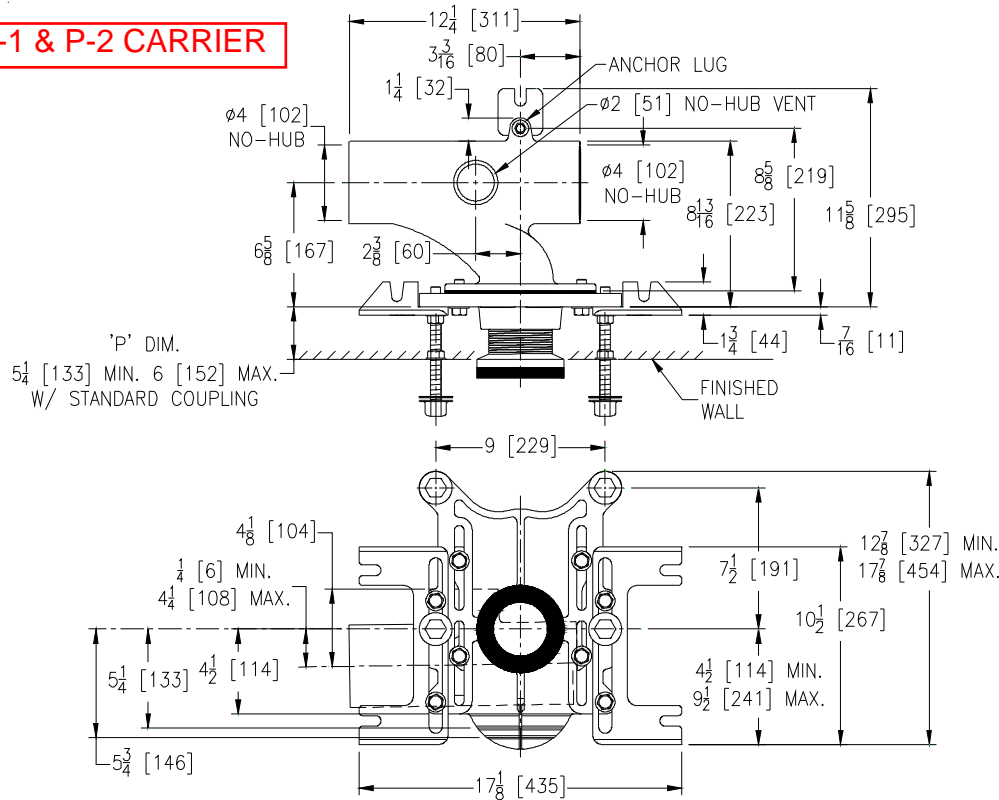
**QTY:6**

SPECIFICATION SHEET

TAG \_\_\_\_\_

Dimensional Data (inches and [mm]) are Subject to Manufacturing Tolerances and Change Without Notice

**P-1 & P-2 CARRIER**



Product Number	Approx. Wt. lbs [kg]
Z1201-NL4	50 [23]
Z1201-NR4	

Note:

1. Z coupling, Min. 'P' Dim. Obtainable=2 [51]  
ZQ coupling, Min. 'P' Dim. Obtainable=5 [127]
2. Feet bolted to floor using min. 1/2 [13] dia. anchors.
3. Rear anchor foot required for secure installation.

Z1201-NR4 Illustrated

**ENGINEERING SPECIFICATION: ZURN Z1201-N\_4**

EZCarry® horizontal siphon jet water closet carrier system with high performance waterway and 4" [102mm] no-hub connections. System includes Dura-Coated cast iron main fitting with hydro-mechanically optimized sweep and extended 2" [51mm] vent, adjustable gasketed faceplate, universal floor mounted pre-fab slotted foot supports, heavy-duty 1/2" [13mm] rear anchor tie down, fixture bolts, trim, stud protectors, bonded "Neo-Seal" gasket, and corrosion resistant, adjustable 3" [76mm] dia. X 6" [152mm] coupling with integral test cap designed to increase flow velocity and line carry. EZCarry® system complies with the requirements of ASME A112.6.1M up to a 500 lbs [227 kg] static load rating.

**OPTIONS** (Check/specify appropriate options)

- \_\_\_ Z1201-NL4 4 [102] No-Hub Left Hand Inlet with Flow to Right
- \_\_\_ Z1201-NR4 4 [102] No-Hub Right Hand Inlet with Flow to Left

**PREFIXES**

- \_\_\_ Z D.C.C.I. System with Zurn ZZ Adjustable Coupling\*
- \_\_\_ ZQ D.C.C.I. System with NPT Faceplate, Non-Adjustable Coupling

**SUFFIXES**

- \_\_\_ -A Auxiliary Support Assembly (For 'P' Dim. Greater than 18 [457])
- \_\_\_ -CC Corrosion Resistant Cast Iron Coupling (2-1/4 [57] to 12 [305])
- \_\_\_ -CE EZ-Set™ Coupling (Available 6 [152], 12 [305] or longer when specified. Minimum length=5 [127])
- \_\_\_ -CL Custom Length Standard Coupling with Integral Test Cap (Specify Length 4, 8, 10, 12 [102, 203, 254, 305])
- \_\_\_ -CS 2-1/4 [57] Polymer Coupling with Integral Test Cap
- \_\_\_ -F Floor Mounted, Back Outlet Fixture Support
- \_\_\_ -G Galvanized Cast Iron
- \_\_\_ -JC 2 [51] Auxiliary Inlet with 1/8 Bend
- \_\_\_ -M Auxiliary Foot Support (for 'P' Dim. 10 thru 18 [254 thru 457])
- \_\_\_ -RYK Unistrut Pre-Fab Foot Support
- \_\_\_ -VP Vandal-Proof Trim
- \_\_\_ -45 Finishing Frame for Siphon Jet System
- \_\_\_ -50 Flush Valve Supply Support for Water Closets

\* Regularly furnished unless otherwise specified.



# Z1202-N4

## EZCARRY® ADJUSTABLE VERTICAL HIGH PERFORMANCE SIPHON JET NO-HUB WATER CLOSET CARRIER SYSTEM

SPECIFICATION SHEET

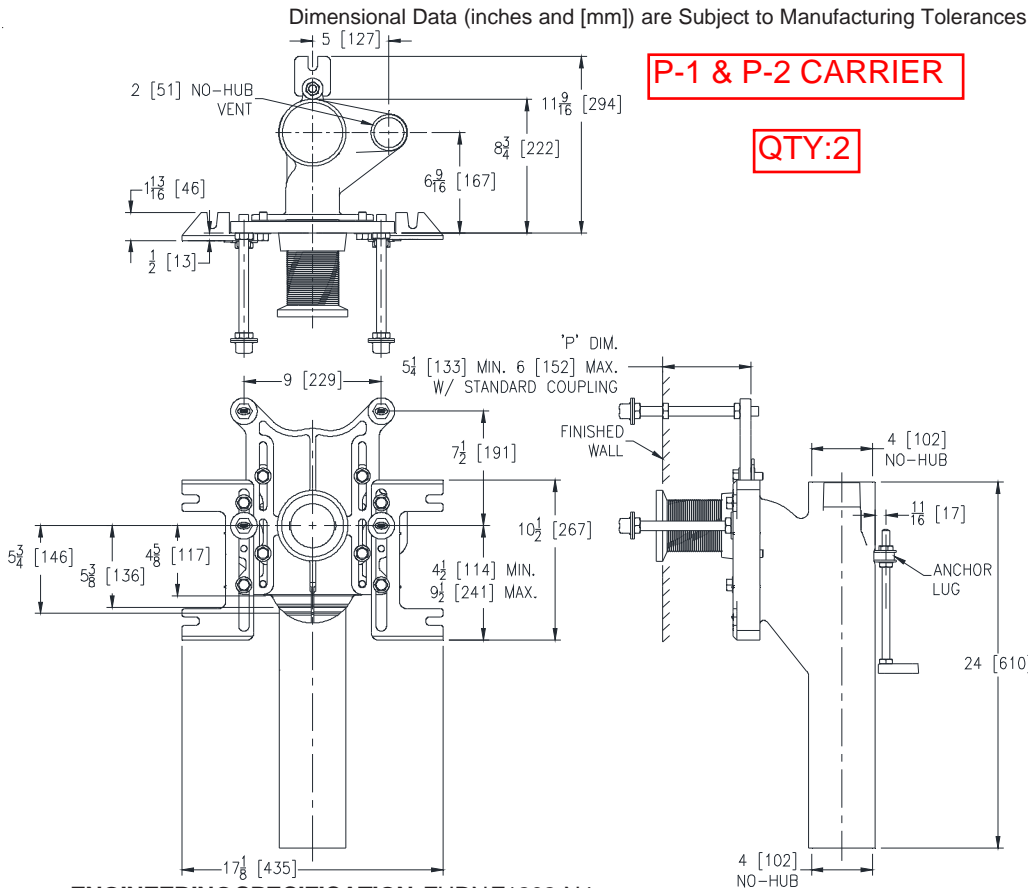
TAG \_\_\_\_\_

Dimensional Data (inches and [mm]) are Subject to Manufacturing Tolerances and Change Without Notice

**P-1 & P-2 CARRIER**

**QTY:2**

Product Number	Approx. Wt. lbs [kg]
Z1202-N4	65 [29]



Note:

- Z coupling, Min. 'P' Dim. Obtainable=2 [51]  
ZQ coupling, Min. 'P' Dim. Obtainable=5 [127]
- Feet bolted to floor using min. 1/2 [13] dia. anchors.
- Rear anchor foot required for secure installation.
- 2 [51] No-Hub vent connection regularly furnished on right hand side. Left hand available when specified (Suffix -VL)
- Auxiliary inlet available right (-JR) or left (-JL) or both sides (-JJ) when specified.

### ENGINEERING SPECIFICATION: ZURN Z1202-N4

EZCarry® vertical siphon jet water closet carrier system with high performance waterway and 4" [102mm] no-hub connections. System includes Dura-Coated cast iron main fitting with hydro-mechanically optimized sweep and extended 2" [51mm] vent, adjustable gasketed faceplate, universal floor mounted pre-fab slotted foot supports, heavy-duty 1/2" [13mm] rear anchor tie down, fixture bolts, trim, stud protectors, bonded "Neo-Seal" gasket, and corrosion resistant, adjustable 3" [76mm] dia. X 6" [152mm] coupling with integral test cap designed to increase flow velocity and line carry. EZCarry® system complies with the requirements of ASME A112.6.1M up to a 500 lbs [227 kg] static load rating.

### OPTIONS (Check/specify appropriate options)

Z1202-N4 4 [102] No-Hub Stack, Single Inlet, 2 [51] Right Hand Vent

### PREFIXES

- \_\_\_ Z D.C.C.I. System with Zurn ZZ Adjustable Coupling\*
- \_\_\_ ZQ D.C.C.I. System with NPT Faceplate, Non-Adjustable Coupling

### SUFFIXES

- \_\_\_ -A Auxiliary Support Assembly (For 'P' Dim. Greater than 18 [457])
- \_\_\_ -CC Corrosion Resistant Cast Iron Coupling (2-1/4 [57] to 12 [305])
- \_\_\_ -CE EZ-Set™ Coupling (Available 6 [152], 12 [305] or longer when specified. Minimum length=5 [127])
- \_\_\_ -CL Custom Length Standard Coupling with Integral Test Cap (Specify Length 4, 8, 10, 12 [102, 203, 254, 305])
- \_\_\_ -CS 2-1/4 [57] Polymer Coupling with Integral Test Cap
- \_\_\_ -F Floor Mounted, Back Outlet Fixture Support
- \_\_\_ -G Galvanized Cast Iron
- \_\_\_ -JJ Two 2 [51] Auxiliary Inlets
- \_\_\_ -JL 2 [51] Left-Hand Auxiliary Inlet
- \_\_\_ -JR 2 [51] Right-Hand Auxiliary Inlet
- \_\_\_ -M Auxiliary Foot Support (for 'P' Dim. 10 thru 18 [254 thru 457])
- \_\_\_ -RYK Unistrut Pre-Fab Foot Support
- \_\_\_ -RYK17 One Piece Unidtrut Pre-Fab Foot
- \_\_\_ -VL Left Hand Vent Connection
- \_\_\_ -VP Vandal-Proof Trim
- \_\_\_ -45 Finishing Frame for Siphon Jet System
- \_\_\_ -50 Flush Valve Supply Support for Water Closets

\* Regularly furnished unless otherwise specified.

Zurn Industries, LLC | Specification Drainage Operation  
 1801 Pittsburgh Avenue, Erie, PA U.S.A. 16502 · Ph. 855-663-9876, Fax 814-454-7929  
 In Canada | Zurn Industries Limited  
 3544 Nashua Drive, Mississauga, Ontario L4V 1L2 · Ph. 905-405-8272, Fax 905-405-1292  
[www.zurn.com](http://www.zurn.com)

Rev. H  
 Date: 12/20/2016  
 C.N. No. 135841  
 Prod. | Dwg. No. Z1202-N4



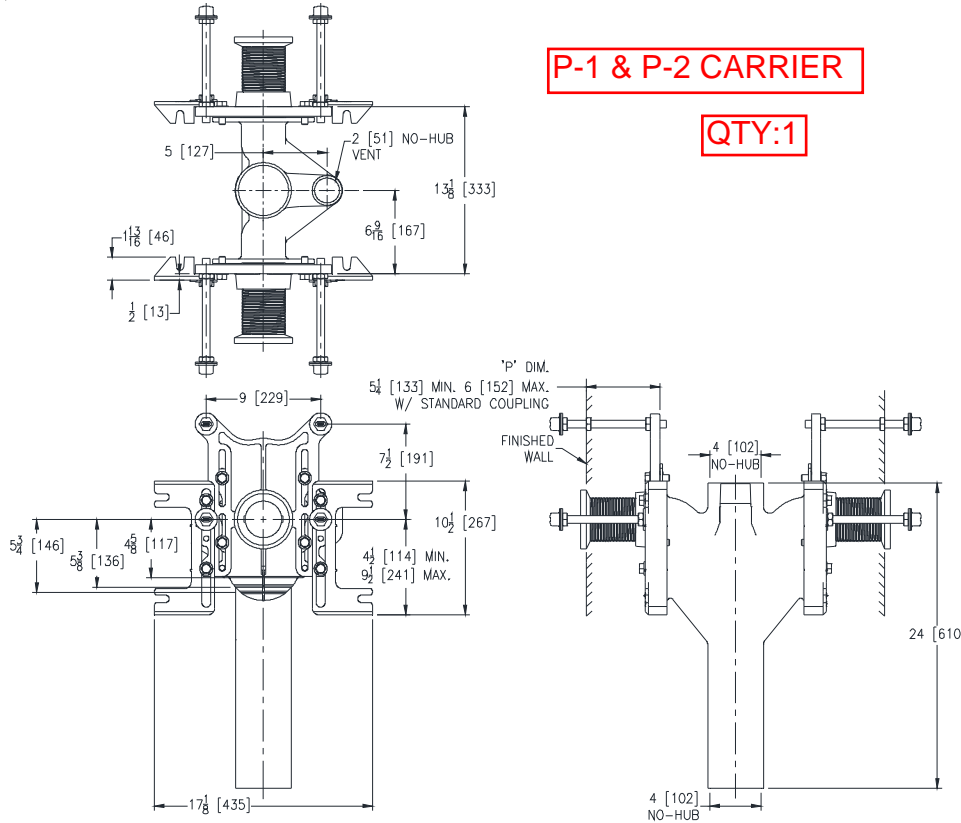
# Z1202-ND4

EZCARRY® ADJUSTABLE VERTICAL BACK-TO-BACK  
HIGH PERFORMANCE SIPHON JET NO-HUB WATER  
CLOSET CARRIER SYSTEM

SPECIFICATION SHEET

TAG \_\_\_\_\_

Dimensional Data (inches and [mm]) are Subject to Manufacturing Tolerances and Change Without Notice



Product Number	Approx. Wt. lbs [kg]
Z1202-ND4	103 [47]

Note:

- Z coupling, Min. 'P' Dim. Obtainable =2 [51].  
ZQ coupling, Min. 'P' Dim. Obtainable =5 [127].
- Feet bolted to floor using min. 1/2 [13] dia. anchors.
- Auxiliary inlet available right (-JR) or left (-JL) or both sides (-JJ) when specified.

### ENGINEERING SPECIFICATION: ZURNZ1202-ND4

EZCarry® vertical siphon jet water closet carrier system with high performance waterway and 4" [102mm] no-hub connections. System includes Dura-Coated cast iron double main fitting with hydro-mechanically optimized sweep and extended 2" [51mm] vent, adjustable gasketed faceplates, universal floor mounted pre-fab slotted foot supports, fixture bolts, trim, stud protectors, bonded "Neo-Seal" gaskets, and corrosion resistant, adjustable 3" [76mm] dia. X 6" [152mm] couplings with integral test caps designed to increase flow velocity and line carry. EZCarry® system complies with the requirements of ASME A112.6.1M up to a 500 lbs [227 kg] static load rating.

### OPTIONS (Check/specify appropriate options)

Z1202-ND4 4 [102] No-Hub Stack, Double Inlets, 2 [51] Vent

### PREFIXES

- \_\_\_ Z D.C.C.I. System with Zurn ZZ Adjustable Coupling\*
- \_\_\_ ZQ D.C.C.I. System with NPT Faceplate, Non-Adjustable Coupling

### SUFFIXES

- \_\_\_ -A Auxiliary Support Assembly (For 'P' Dim. Greater than 18 [457])
- \_\_\_ -CC Corrosion Resistant Cast Iron Coupling (2-1/4 [57] to 12 [305])
- \_\_\_ -CE EZ-Set™ Coupling (Available 6 [152], 12 [305] or longer when specified. Minimum length=5 [127])
- \_\_\_ -CL Custom Length Standard Coupling with Integral Test Cap (Specify Length 4, 8, 10, 12 [102, 203, 254, 305])
- \_\_\_ -CS 2-1/4 [57] Polymer Coupling with Integral Test Cap
- \_\_\_ -F Floor Mounted, Back Outlet Fixture Support
- \_\_\_ -G Galvanized Cast Iron
- \_\_\_ -JJ Two 2 [51] Auxiliary Inlets
- \_\_\_ -JL 2 [51] Left-Hand Auxiliary Inlet
- \_\_\_ -JR 2 [51] Right-Hand Auxiliary Inlet
- \_\_\_ -M Auxiliary Foot Support (for 'P' Dim. 10 thru 18 [254 thru 457])
- \_\_\_ -RYK Unistrut Pre-Fab Foot Support
- \_\_\_ -RYK17 One Piece Unistrut Pre-Fab Foot
- \_\_\_ -VP Vandal-Proof Trim
- \_\_\_ -45 Finishing Frame for Siphon Jet System
- ~~\_\_\_ -50~~ Flush Valve Supply Support for Water Closets

\* Regularly furnished unless otherwise specified.

Zurn Industries, LLC | Specification Drainage Operation  
1801 Pittsburgh Avenue, Erie, PA U.S.A. 16502 · Ph. 855-663-9876, Fax 814-454-7929  
In Canada | Zurn Industries Limited  
3544 Nashua Drive, Mississauga, Ontario L4V 1L2 · Ph. 905-405-8272, Fax 905-405-1292  
[www.zurn.com](http://www.zurn.com)

Rev. H  
Date: 1/18/17  
C.N. No. 135876  
Prod. | Dwg. No. Z1202-ND4

### Features

- Siphon jet urinal.
- 3/4" top spud.
- 0.5 or 1.0 gpf (1.9 or 3.8 lpf) based on valve selected.
- Siphon jet.
- 3/4" top spud.
- Includes inlet and outlet spuds and hangers.
- Includes anti-backsplash wall.
- 14-1/2"(368 mm) extended rim.
- 0.5 gpf (1.9 lpf) or 1.0 gpf (3.8 lpf).

### Material

- Vitreous china.

### Water Conservation & Rebates

- WaterSense® compliant when used with WaterSense flushometer.

### Recommended Accessories

- K-10675 WAVE DC 0.5 GPF Urinal Flushometer
- K-10958 Tripoint™ DC 0.5 GPF Urinal Flushometer
- K-10961 Tripoint™ DC 1.0 GPF Flushometer
- K-13521 Manual 1.0 GPF Urinal Flushometer

### Components

Additional included component/s: 3/4" Inlet Spud, 2" Outlet Spud, and Hanger (2 Required).



### Codes/Standards





- ASME A112.19.2/CSA B45.1
- DOE - Energy Policy Act 1992
- EPA WaterSense®
- California Energy Commission (CEC)
- ADA
- ICC/ANSI A117.1

### KOHLER® One-Year Limited Warranty

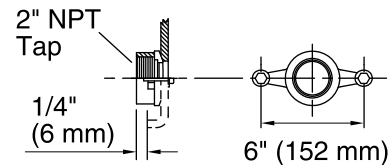
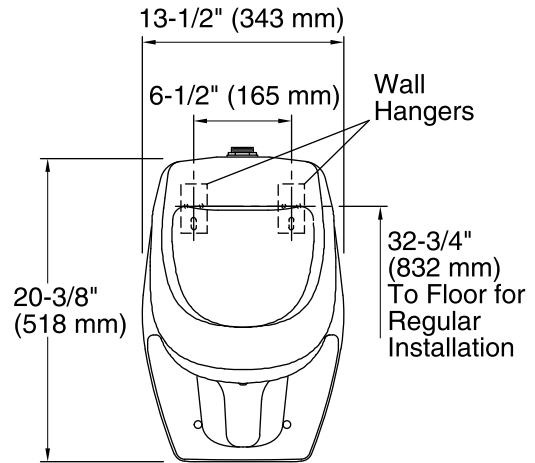
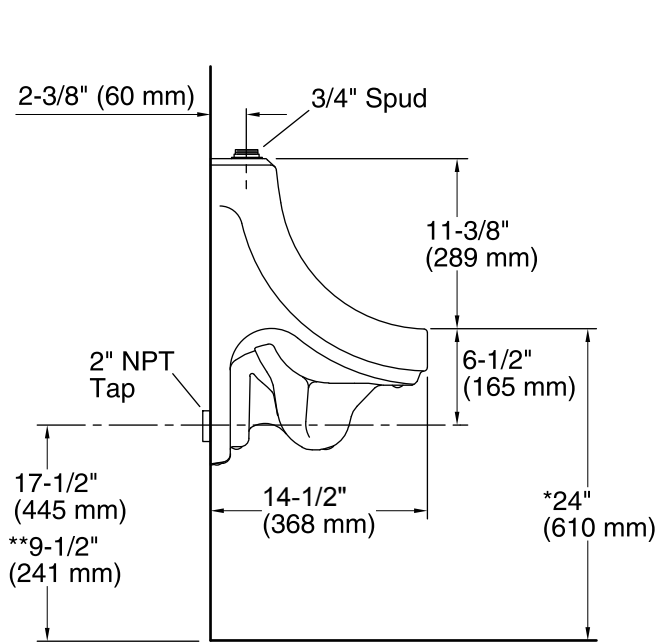
See website for detailed warranty information.

### Available Color/Finishes

Color tiles intended for reference only.

Color	Code	Description
	0	White
	96	Biscuit
	47	Almond
	7	Black Black™

\*Urinal complies with ADA requirement when rim is mounted no higher than 17" (432 mm) from finished floor.  
\*\*Outlet height for ADA compliance.



**Spud Detail**

## Technical Information

All product dimensions are nominal.

Flush outlet technology: Siphon jet

Spud size: 3/4", inlet, Top

Max. Water per Flush: 0.5 gal (1.9 L)

## Notes

Install this product according to the installation guide.

Refer to manufacturer's instructions and local codes for flushometer requirements.

ADA compliant when installed to the specific requirements of these regulations.



► **Code Number**  
3912679

**P-3 FLUSH VALVE**

**QTY:4**

► **SPECIFICATIONS**

**Description**

Exposed, Battery Powered, Side Mount Sensor Operated Urinal Flushometer for 3/4" top spud urinals.

**Flush Cycle**

0.5 gpf/1.9 Lpf

**Specifications**

Quiet, Exposed, Diaphragm Type, Chrome Plated Urinal Flushometer with the following features:

- Flush Accuracy Controlled by CID Technology
- Spud Coupling and Flange for 3/4" Top Spud
- Chrome Plated Infrared Sensor Housing
- "User in View" Flashing LED
- No External Volume Adjustment to Ensure Water Conservation
- Infrared Sensor Range Adjustment Screw and Reset Button
- Sweat Solder Adapter w/Cover Tube and Cast Wall Flange w/Set Screw
- Stop Seat and Vacuum Breaker molded from PERMEX® Rubber Compound for Chloramine Resistance
- 3/4" I.P.S. Screwdriver Bak-Chek® Angle Stop with Free Spinning, Vandal Resistant Stop Cap
- Four (4) Size C Batteries included
- ADA Compliant OPTIMA® Battery Powered Infrared Sensor for automatic "No Hands" operation
- Angled Sensor Window
- Manual Override Flush Button
- "Low Battery" Flashing LED with Optional Audio Tone
- Optional 24-Hour Sentinel Flush

Valve Body, Tailpiece and Control Stop shall be in conformance with ASTM Alloy Classification for Semi-Red Brass. Valve shall be in compliance with the applicable sections of ASSE 1037, ANSI/ASME A112.19.2.

► **ELECTRICAL SPECIFICATIONS**

**Control Circuit**

- Solid State
- 6 VDC Input

**Sensor Type**

- Infrared Convergence Type Object Lock Detection

**Indicator Lights**

- User in View

**Battery Type**

- (4) C Alkaline

**Battery Life**

- 6 Years @ 4,000 flushes/month

**Sensor Range**

- Nominal 8" - 54" (203 mm- 1372 mm), Factory Set at 24" (610 mm)

**Operating Pressure**

- 15-100 psi (104-689 kPa)

► **OPERATION**



► **FEATURES**

**Automatic Operation**

Sloan OPTIMA SMO equipped Flushometers provide the ultimate in sanitary protection and automatic operation. There is no need for AC hookups or wall alterations. The Flushometer operates by means of a battery powered infrared sensor. Once the user enters the sensor's effective range and then steps away, the Side Mount Unit initiates the flushing cycle to flush the fixture.

**Economical**

Automatic operation provides water usage savings over other flushing devices. Reduces maintenance and operation costs. Installation does not require turning off water to the valve.

**Hygienic**

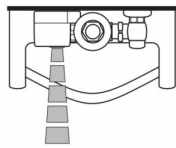
User makes no physical contact with the Flushometer surface except to initiate the Override Button when required. Helps control the spread of infectious diseases.

► **Compliance & Certifications**

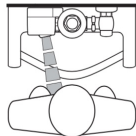


This space for Architect/Engineer Approval

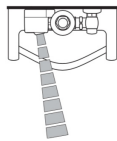




1. A continuous, invisible light beam is emitted from the object lock infrared sensor.

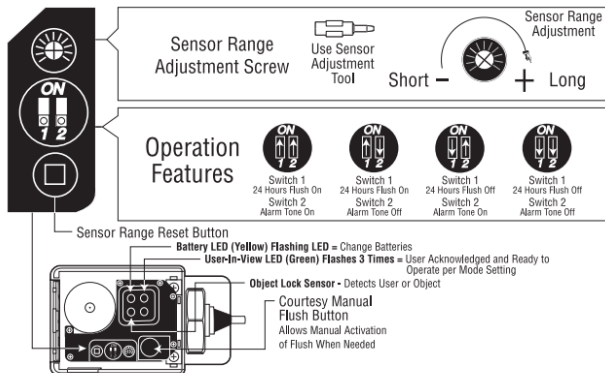


2. As the user enters the beam's effective range, 8" to 54" (203 mm - 1372 mm), the Object Lock Infrared Sensor senses the user.

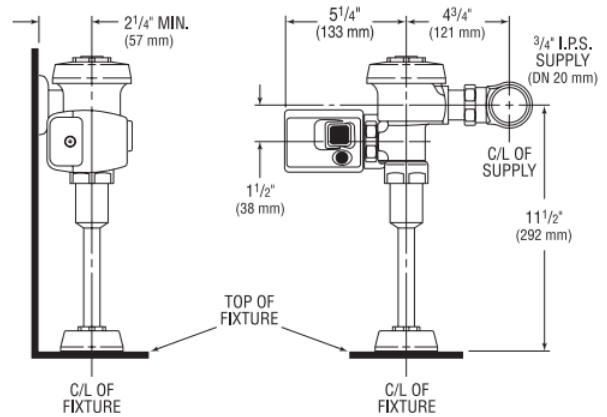


3. When the user steps away from the object lock Infrared sensor, the circuit initiates the flushing cycle to flush the fixture. The circuit then automatically resets and is ready for the next user.

### ► FUNCTION SETTINGS



### ► ROUGH-IN



Includes EBV-89-A Side Mount Operator

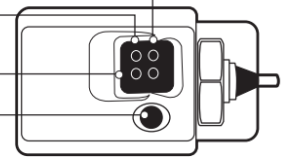
### ► VISUAL INDICATOR GUIDE

**USER-IN-VIEW L.E.D.** — Green light flashes 3 times after 5 second delay when a user is in view. The green light flashes constantly when a user is in view during the 7 minute start up sequence.

**BATTERY L.E.D.** — Yellow light flashes indicating it is time to replace batteries with four (4) new Type "C" batteries.

**OBJECT LOCK SENSOR** — Detects user or object.

**COURTESY MANUAL FLUSH BUTTON** — Allows manual activation of flush when needed.





**PRODUCT SPECIFICATIONS**


P-4

QTY:8

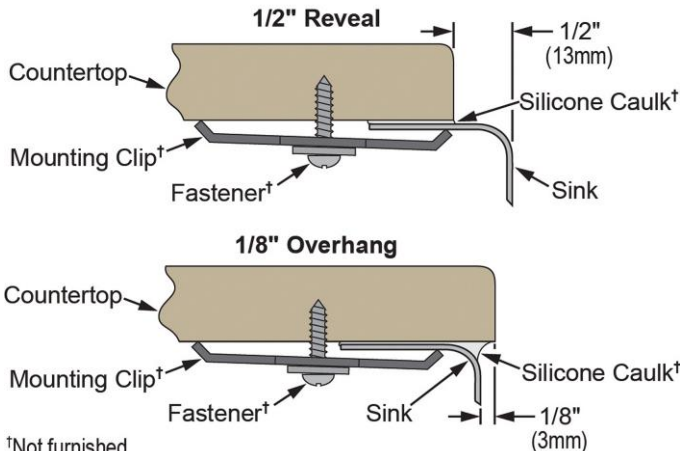
Elkay Asana Stainless Steel 14-3/8" x 14-3/8" x 6", Single Bowl Undermount Bathroom Sink. Sink is manufactured from 18 gauge 304 Stainless Steel with a Lustrous Highlighted Satin finish, Center drain placement, and Full spray sides and bottom with Sides only pads.

<b>Installation Type:</b>	Undermount
<b>Material:</b>	304 Stainless Steel
<b>Finish:</b>	Lustrous Highlighted Satin
<b>Gauge:</b>	18
<b>Sound Deadening:</b>	Full spray sides and bottom with Sides only pads
<b>Number of Bowls:</b>	1
<b>Sink Dimensions:</b>	14-3/8" x 14-3/8" x 6"
<b>Bowl 1 Dimensions:</b>	12" x 12" x 6"
<b>Drain Size:</b>	1-1/2" (38mm)
<b>Drain Location:</b>	Center
<b>Minimum Cabinet Size:</b>	18"
<b>Mounting Hardware:</b>	Undermount brackets sold separately
<b>Template Included:</b>	Yes
<b>Cutout Template #:</b>	<a href="#">1000000596</a>

Template is available for download at [elkay.com](http://elkay.com)

 This sink is compliant to ADA and ANSI/ICC A117.1 accessibility requirements when installed according to the requirements outlined in these standards.

**Installation Profile:**




†Not furnished  
Designed to affix to the underside of any solid surface countertop.



**Included with Product:** LKF295 overflow Assembly

AMERICAN PRIDE. A LIFETIME TRADITION. Like your family, the Elkay family has values and traditions that endure. For almost a century, Elkay has been a family-owned and operated company, providing thousands of jobs that support our families and communities.

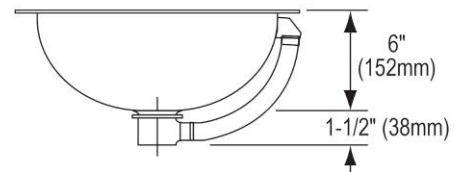
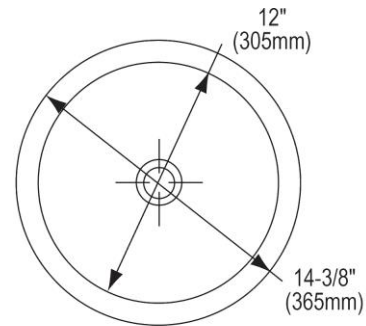


 Sinks are listed by IAPMO<sup>®</sup> as meeting the applicable requirements of the Uniform Plumbing Code<sup>®</sup>, International Plumbing Code<sup>®</sup>, and National Plumbing Code of Canada.

**Product Compliance:** ADA & ICC A117.1  
ASME A112.19.3/CSA B45.4  
BUY AMERICAN ACT

[Clean and Care Manual \(PDF\)](#)  
[Installation Instructions \(PDF\)](#)  
[Limited Lifetime Warranty \(PDF\)](#)

**Similar models are available with:** CuVerro antimicrobial copper



PART: \_\_\_\_\_ QTY: \_\_\_\_\_  
PROJECT: \_\_\_\_\_  
CONTACT: \_\_\_\_\_  
DATE: \_\_\_\_\_  
NOTES: \_\_\_\_\_  
APPROVAL: \_\_\_\_\_

In keeping with our policy of continuing product improvement, Elkay reserves the right to change product specifications without notice. Please visit [elkay.com](http://elkay.com) for the most current version of Elkay product specification sheets. This specification describes an Elkay product with design, quality, and functional benefits to the user. When making a comparison of other producers' offerings, be certain these features are not overlooked.

**OPTIONAL ACCESSORIES**

Drain:	LK174, LKAD174
Hardware:	LKUCLIP8

*In keeping with our policy of continuing product improvement, Elkay reserves the right to change product specifications without notice. Please visit [elkay.com](http://elkay.com) for the most current version of Elkay product specification sheets. This specification describes an Elkay product with design, quality, and functional benefits to the user. When making a comparison of other producers' offerings, be certain these features are not overlooked.*

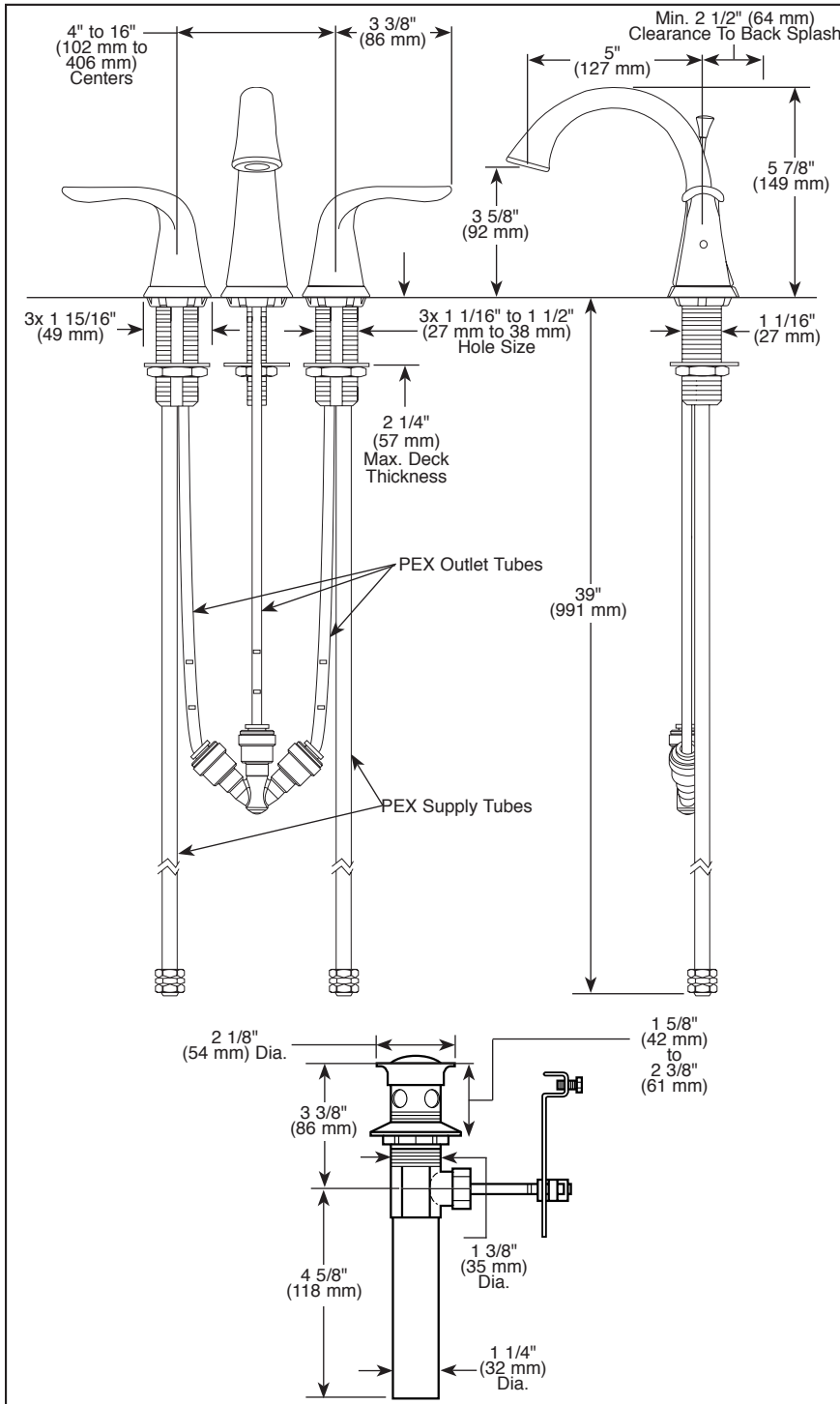


**P-4 FAUCET**

**QTY: 8**

Submitted Model No.: \_\_\_\_\_

Specific Features: \_\_\_\_\_



▲ Designate proper finish suffix

Delta reserves the right (1) to make changes in specifications and materials, and (2) to change or discontinue models, both without notice or obligation. Dimensions are for reference only. See current full-line price book or [www.deltafaucet.com](http://www.deltafaucet.com) for finish options and product availability.

DSP-L-3538-MPU-DST Rev. C



## LAVATORY FAUCETS

- Lahara® Bath Collection
- Two Handle Widespread Deck Mount

### FEATURES:

- DIAMOND Seal® Technology

### STANDARD SPECIFICATIONS:

- Max. 1.20 gpm @ 60 psi, 4.54 L/min @ 414 kPa
- Three hole mount
- Solid brass fabricated end valve
- 1/4 turn stops
- Diamond coated ceramic cartridge
- 3/8" O.D. straight PEX supply tubes
- Models with suffix "MPU" have metal drain with pop-up type fitting with plated flange and stopper

### WARRANTY

- Lifetime limited warranty on parts (other than electronic parts and batteries) and finishes: or, for commercial users, for 5 years from date of purchase.
- 5 year limited warranty on electronic parts (other than batteries); or, for commercial users, for 1 year from the date of purchase. No warranty is provided on batteries.



### COMPLETE VALVE COMPLIES WITH:

- ASME A112.18.1 / CSA B125.1
- ASME A112.18.2 / CSA B125.2
- ASME A112.18.6
- Indicates compliance to ICC/ANSI A17.1
- EPA WaterSense®
- Verified compliant with .25% weighted average Pb content regulations.



55 E. 111th Street, Indianapolis, Indiana 46280  
 350 South Edgeware Road, St. Thomas, ON N5P 4L1  
 © 2016 Masco Corporation of Indiana

## For Residential and Commercial Applications

Job Name \_\_\_\_\_ Contractor \_\_\_\_\_  
 Job Location \_\_\_\_\_ Approval \_\_\_\_\_  
 Engineer \_\_\_\_\_ Contractor's P.O. No. \_\_\_\_\_  
 Approval \_\_\_\_\_ Representative \_\_\_\_\_

# LEAD FREE\*

## Series LFUSG-B Under Sink Guardian®

The LFUSG-B-M2 Under Sink Guardian® 3/8" (10mm) compression and Quick-Connect fitting thermostatic mixing valves maintain and limit hot water to desired selectable temperature between 80°F and 120°F (27°C and 49°C) with flow rates as low as 0.25 gpm (1.0 lpm) and as high as 2.25 gpm (8.5 lpm). The mixing valve is listed to ASSE Standard 1070 for single fixture applications and IAPMO cUPC. The LFUSG-B-M2 features Lead Free\* construction to comply with Lead Free\* installation requirements. The superior flow characteristics of these valves provide temperature control with low pressure drop. As an added feature, the LFUSG-B-M2 incorporates dual check valves to protect against cross-flow and integral screens to filter out debris.

### Features

- Lead Free\* Brass body construction
- Installs easily between the stop valves and faucet
- Includes tamper resistant locking nut to prevent accidental mis-adjustment
- Built-in check valves prevent migration of hot water to cold and cold water to hot water piping
- Provided with cap for three port application
- Integral strainer with 40 mesh stainless steel screens to filter out debris

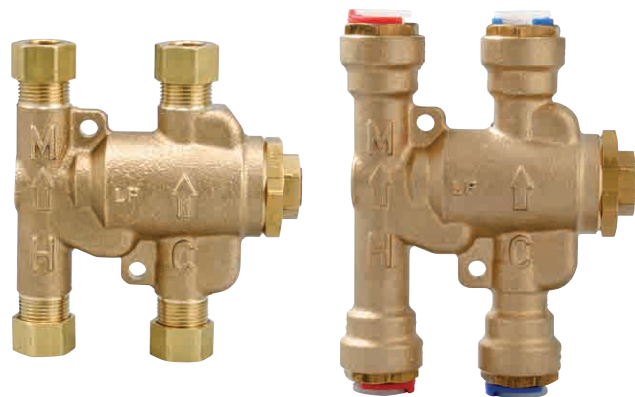
### Applications

The unit is intended for under sink installation to control the hot water temperature and minimize the occurrence of accidental scalding. The water temperature must be adjusted by the installer using a thermometer to measure the hot water temperature at the faucet outlet. Maximum temperature of 105°F (41°C) is recommended.

### Specifications

A Thermostatic Mixing Valve shall be installed on the hot water supply to the fixture. The valve shall be ASSE Standard 1070 and IAPMO cUPC listed and control the temperature of the hot water. It shall have a Lead Free\* brass 4-port, "H" pattern body. Lead Free\* under counter thermostatic valves shall comply with state codes and standards, where applicable, requiring reduced lead content. The valve shall include integral check valves, integral screens and an adjustment nut with locking feature. The valve shall be provided with 3/8" (10mm) male compression or Quick-connect fittings. The valve shall be Watts Series LFUSG-B.

For satin chrome finish specify – SC.



LFUSG-B-M2

LFUSG-B-QC-M2

ASSE 1070 & IAPMO cUPC Listed

### Materials

- Body: Lead Free\* Brass
- Rubber Disc: Buna-N
- O-rings: Buna-N
- Spring: Stainless steel
- Piston: Noryl®
- Thermostat: Copper

### Approval



ASSE 1070



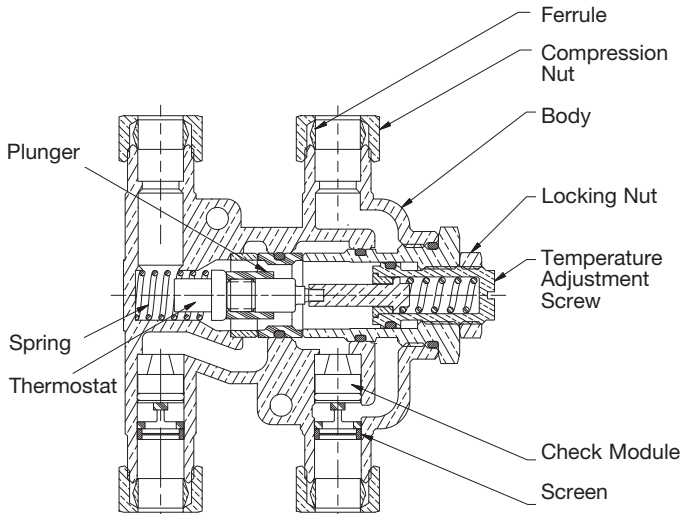
### Pressure – Temperature

- Minimum supply pressure: 30psi (207 kPa)
- Hot inlet temperature: 120°F-180°F (49°C-82°C)
- Cold inlet temperature: 39°F-80°F (3.8°C-27°C)
- Minimum inlet temperature differential: 5°F (2.8°C)
- Temperature range: 80°F-120°F (27°C-49°C)
- Maximum pressure: 150psi (10.3 bar)
- Minimum Flow: 0.25 gpm (1.0 l/m)

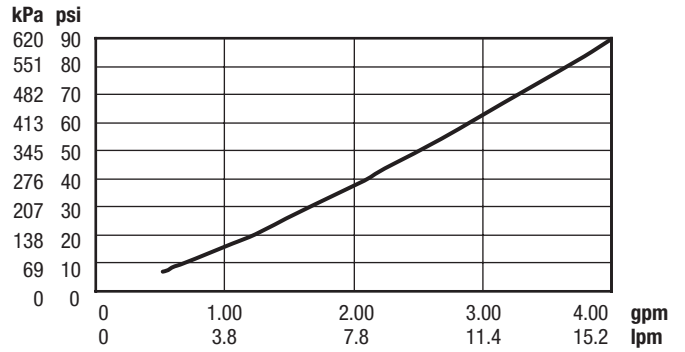
\*The wetted surface of this product contacted by consumable water contains less than one quarter of one percent (0.25%) of lead by weight.

Noryl® is a registered trademark of SABIC Innovative Plastics®.

## Basic Construction

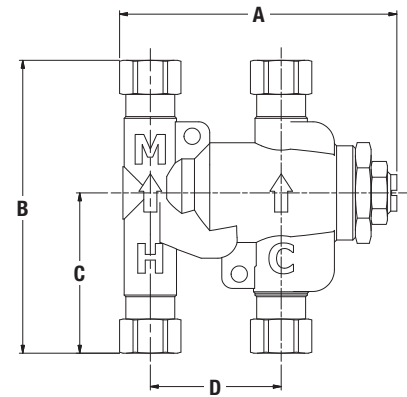


## Flow Capacity



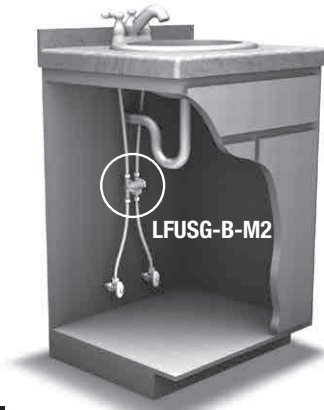
## Dimensions – Weights

MODEL	SIZE	DIMENSIONS								WEIGHT	
		A		B		C		D		lbs.	kgs.
		in.	mm	in.	mm	in.	mm	in.	mm		
LFUSG-B-M2	3/8" Comp.	33/16	81	33/8	85	113/16	47	11/2	38	.82	.37
LFUSG-B-SC-M2	3/8" Comp.	33/16	81	33/8	85	113/16	47	11/2	38	.82	.37
LFUSG-B-QC-M2	3/8" Quick Connect	3/4	83	4	102	21/4	57	11/2	38	1.05	.48
LFUSG-B-QC-SC-M2	3/8" Quick Connect	3/4	83	4	102	21/4	57	11/2	38	1.05	.48



## Typical Installations

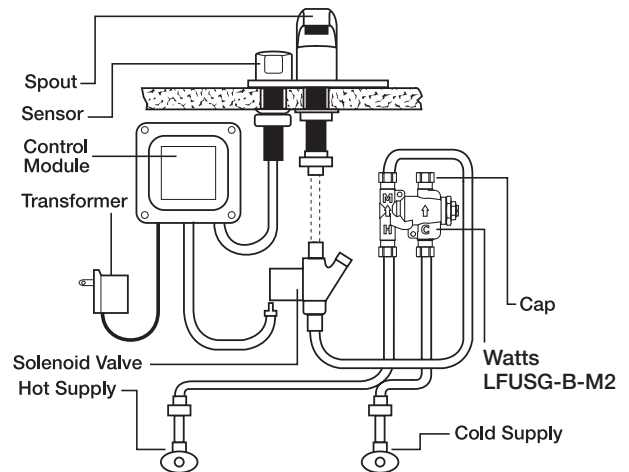
### Two Handle Faucet



### NOTICE

This information is not intended to replace the full product installation and safety information available or the experience of a trained product installer. You are required to thoroughly read all installation instructions and product safety information before beginning the installation of this product.

### Sensor Faucet



A Watts Water Technologies Company

USA: Tel: (978) 689-6066 • Fax: (978) 975-8350 • Watts.com

Canada: Tel: (905) 332-4090 • Fax: (905) 332-7068 • Watts.ca

Latin America: Tel: (52) 81-1001-8600 • Fax: (52) 81-8000-7091 • Watts.com





**McGuire Manufacturing Co., Inc.**

60 Grandview Court  
P.O. Box 746 • Cheshire, CT 06410  
203-699-1801 • Fax: 203-699-1813  
www.mcguiremfg.com

**PRODUCT SPECIFICATION**

**Part No.**

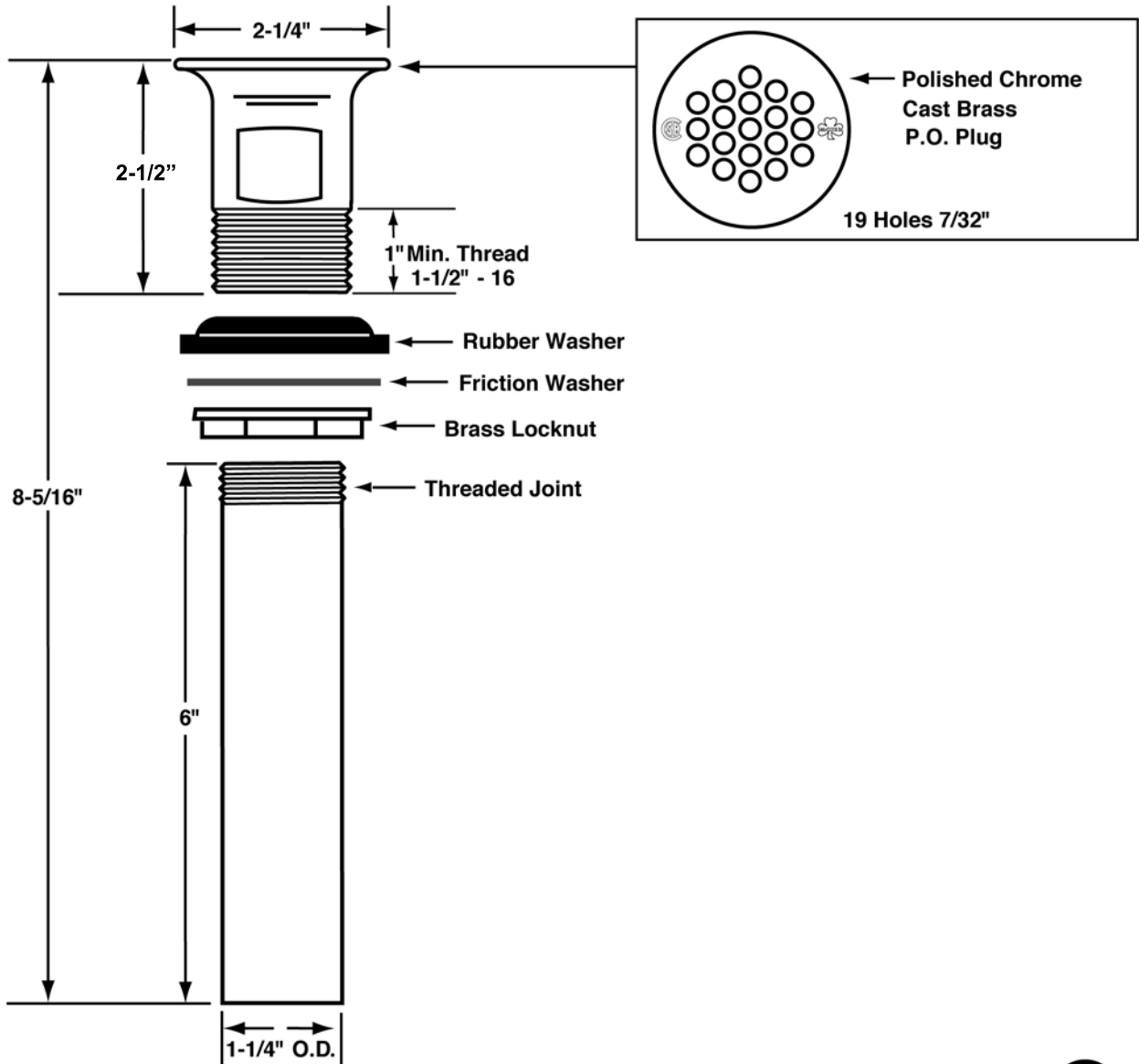
**155A**

**Open Grid P.O. Plug**

**Job Name:**

**Submittal Number:**

**P-4 GRID DRAIN QTY:8**



See options and accessories section for details on product variations

ASME A112.18.1-2011/CSA B125.2-11



**Specifications:**

Cast brass chrome plated open grid P.O. plug with 17GA 1-1/4" x 6" seamless brass tailpiece, brass lock nut, heavy rubber basin washer and fiber friction washer. P.O. plug shall be in compliance with CSA or other recognized testing authority and bear both manufacturer and testing mark.





**McGuire Manufacturing Co., Inc.**

60 Grandview Court  
 P.O. Box 746 • Cheshire, CT 06410  
 203-699-1801 • Fax: 203-699-1813  
 www.mcguiremfg.com

**PRODUCT SPECIFICATION**

**Part No.**

**LFH165, LFH165LK,  
 LFH167, LFH167LK**

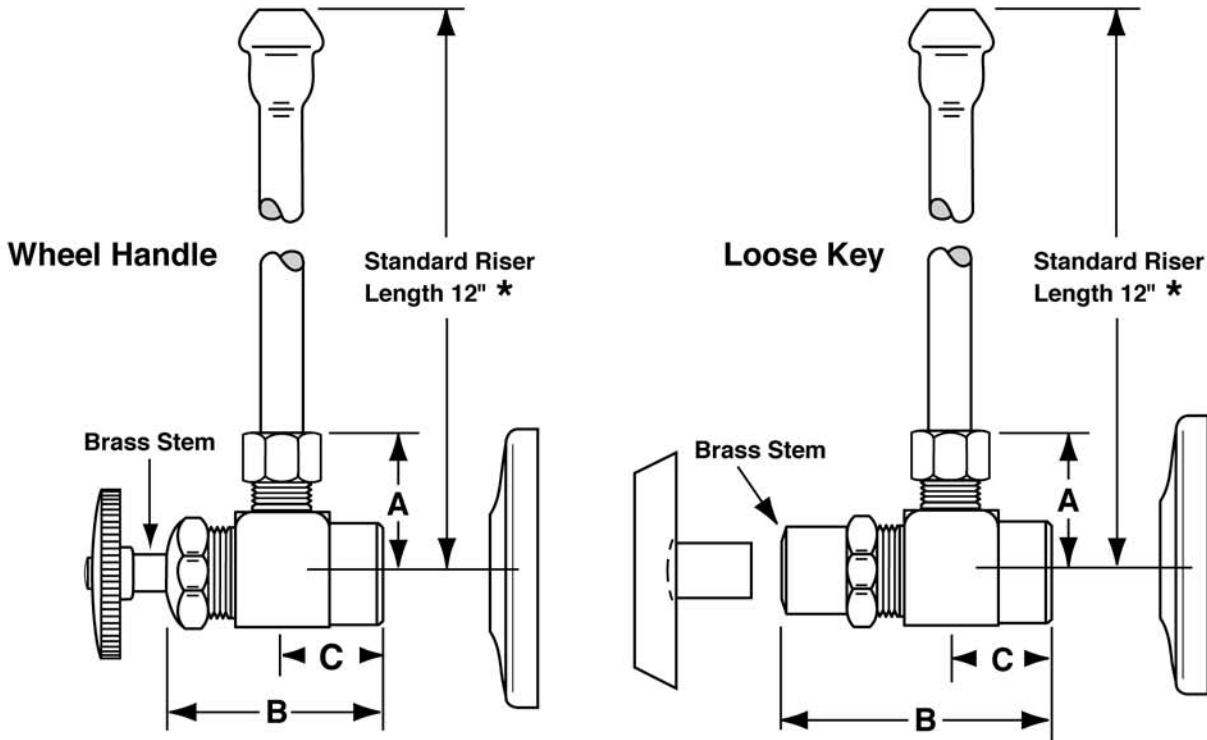
**Heavy Lavatory Supply  
 3/8" I.P.S. x O.D.**

**Job Name:**

**Submittal Number:**

**P-4 SUPPLIES**

**QTY:8**



NO.	DESCRIPTION	ROUGHING MEASUREMENTS		
		A	B	C
<b>LFH165</b>	3/8" I.P.S. x 3/8" O.D.	1-3/8"	1-15/16"	1"
<b>LFH165LK</b>	3/8" I.P.S. x 3/8" O.D.	1-3/8"	2-7/16"	1"
<b>LFH167</b>	3/8" I.P.S. x 1/2" O.D.	1-3/8"	1-15/16"	1"
<b>LFH167LK</b>	3/8" I.P.S. x 1/2" O.D.	1-3/8"	2-7/16"	1"

**LK** designates Loose Key

\* See options and accessories section for details on product variations.



**Specifications:**

Supply kit shall include lead free heavy pattern chrome plated supply stop valves with full turn brass stem, no plastic, (12, 15, 20) inch chrome plated risers and (shallow, deep, bell) (steel, brass) or (forged brass with set screw) flange. Inlet shall be 3/8 inch IPS. Outlet shall be 3/8 inch compression. Supply kit shall be McGuire \_\_\_\_\_. Supply shall be certified by recognized authority and bear manufacturer and testing mark.



**McGuire Manufacturing Co., Inc.**

60 Grandview Court  
 P.O. Box 746 • Cheshire, CT 06410  
 203-699-1801 • Fax: 203-699-1813  
 www.mcguiremfg.com

**Part No.**

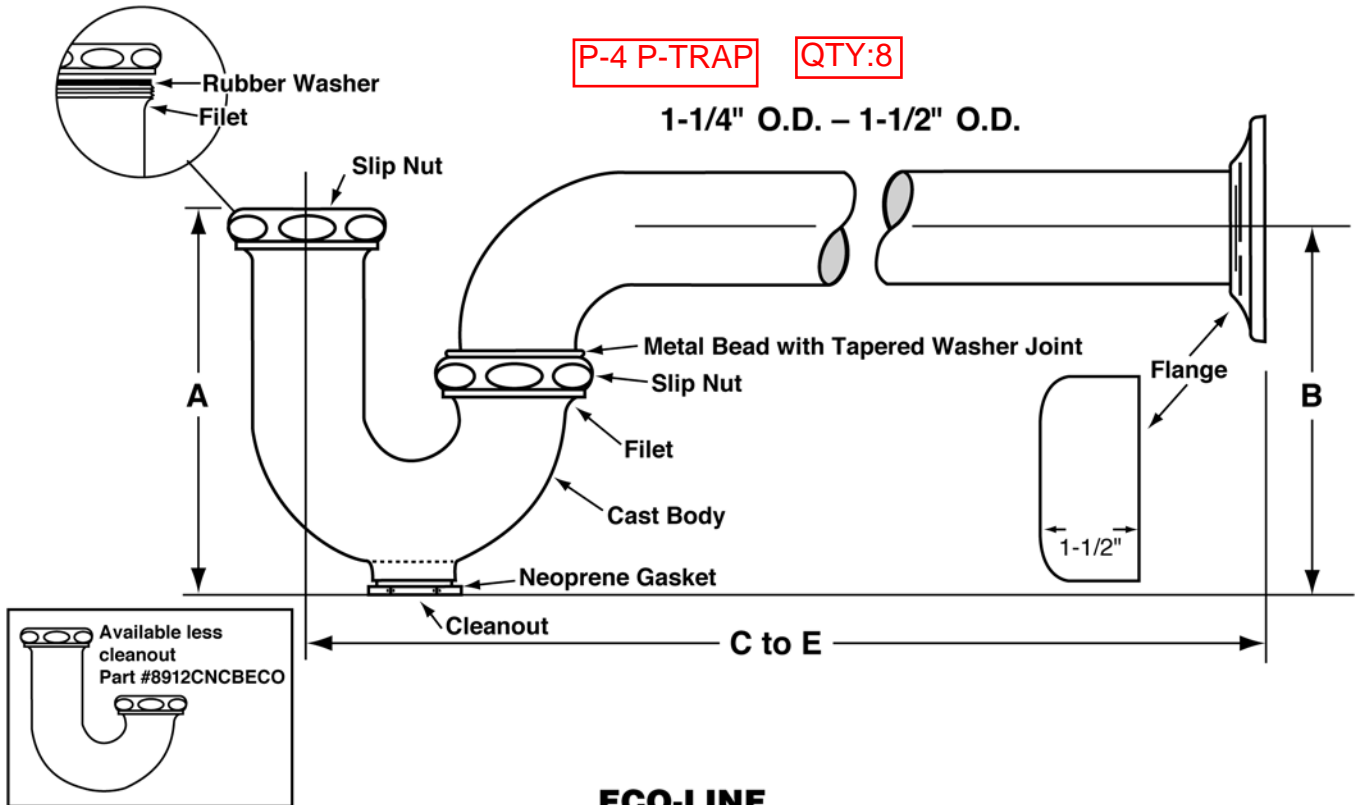
8872CBECO, C8872CECO, 8904CBECO  
 8912CBECO, C8912CECO,  
 8912CNCBECO, 8912C18BECO

**PRODUCT SPECIFICATION**

**Cast Body P-Trap With  
 or Without Cleanout**

**Job Name:**

**Submittal Number:**



**ECO-LINE**

**ROUGHING MEASUREMENTS**

MODEL NO.	TRAP DIMENSIONS		A	B	C to E	FLANGE	SLIP NUT
	INLET	OUTLET					
8872CBECO	1-1/4"	1-1/4"	4-1/2"	4-1/2"	11"	Box	Brass
C8872CECO	1-1/4"	1-1/4"	4-1/2"	4-1/2"	10"	Shallow	Zinc
8904CBECO	1-1/2", 2"	2"	5"	6"	13-1/2"	Box	Brass
8912CBECO	1-1/2", 1-1/4"	1-1/2"	5"	5"	12"	Box	Brass
C8912CECO	1-1/2", 1-1/4"	1-1/2"	5"	5"	10-1/2"	Shallow	Zinc
8912CNCBECO	1-1/2", 1-1/4"	1-1/2"	4-3/4"	4-1/2"	12"	Box	Brass
8912C18BECO	1-1/2", 1-1/4"	1-1/2"	5"	5"	18"	Box	Brass

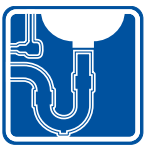
FED SPEC W.W.P. 541  
 CAST BRASS P-TRAP  
 MINIMUM SEAL 2"



ASME A112.18.1-2011/CSA B125.2-11

**Specifications:**

Chrome plated P-Trap shall be cast brass body, with or without cleanout, with 17 gauge seamless tubular wall bend and flange.



**LAV GUARD<sup>2</sup>**  
FAST FIT UNDERSINK PIPING COVERS

**P-4 PIPING INSULATION**

**QTY:8**



ADA-compliant undersink protection



# Submittal Sheet

## General Description:

LAV GUARD<sup>2</sup> E-Z Series waste and supply piping covers satisfy ADA compliance requirements. Built-in *E-Z Grip* internal fasteners and internal, *E-Z Tear-To-Fit* trimming feature allow for fast installation without tools. *Series #100 E-Z* kits are designed to fit on all tubular and cast brass P-trap assemblies. *Series #400* kits are the "original" LAV GUARD design and fit schedule 40 ABS and PVC P-trap assemblies — regardless of their geometry or rotational offset. Valve cover completely encloses angle valve and supply tube for both handled and keyed type water stops.

Material	Molded vinyl
Nominal Wall	1/8" constant
Durometer	70 - 80 - Shore A
UV Protection	Will not fade or discolor
Durability	Virtually indestructible
Trimming (E-Z Series)	Internal, <i>E-Z Tear-To-Fit</i> trim feature
Fasteners (E-Z Series)	Internal <i>E-Z Grip</i> fasteners (reusable)
Color	China white
Paintability	Apply Latex paint
Burning Characteristics ASTM D-635	Self extinguished 0 sec (ATB) 0 mm (AEB)
Bacteria/Fungus Resistance	ASTM G21 and G22/ Result: 0 growth
Maintenance	Use common detergents

Manufactured under one or more of the following U.S. or Canadian patents. Other patents pending.  
5,303,730 5,360,031 5,524,669 5,564,463 5,678,598 5,699,828 5,915,412 5,915,413 5,901,739 5,960,820 2,075,324 2,119,427 2,136,027 2,158,083

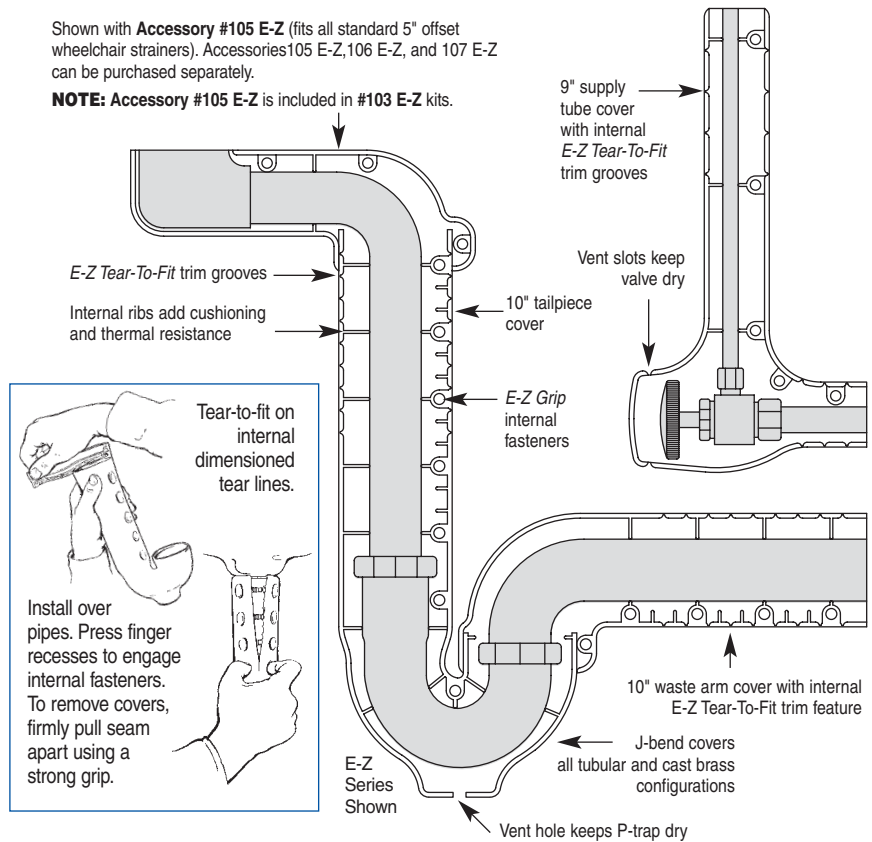


IPS Corporation, 202 Industrial Park Lane, Collierville, TN 38017  
(901) 853-5001 (800) 340-5969 FAX: (901) 853-5008  
e-mail: info@truebro.com Internet: http://www.truebro.com



Shown with **Accessory #105 E-Z** (fits all standard 5" offset wheelchair strainers). Accessories 105 E-Z, 106 E-Z, and 107 E-Z can be purchased separately.

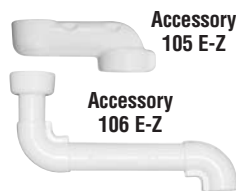
**NOTE:** **Accessory #105 E-Z** is included in **#103 E-Z** kits.



**#100 E-Z Series** (shown above right) for tubular and cast brass P-trap assemblies.

**#400W\* Series** (original design) for schedule 40 P-trap assemblies.

- |   |   |  |
|---|---|--|
| <input type="checkbox"/> <b>Model #99 E-Z</b><br>One angle valve and supply cover         | <input checked="" type="checkbox"/> <b>Model #102 E-Z</b><br>One P-trap cover, two angle valves and covers  | <input type="checkbox"/> <b>Accessory #105-K</b><br>Kohler 6" offset   |
| <input type="checkbox"/> <b>Model #100 E-Z</b><br>One P-trap cover                        | <input type="checkbox"/> <b>Model #402W*</b><br>One P-trap cover, two angle valves and covers   | <input type="checkbox"/> <b>Accessory #106 E-Z</b><br>One basket strainer cover and offset waste cover (adjustable to 18")         |
| <input type="checkbox"/> <b>Model #400W*</b><br>One P-trap cover                          | <input type="checkbox"/> <b>Model #103 E-Z</b><br>One P-trap cover, two angle valves and supply covers, one 5" offset tailpiece wheelchair strainer cover | <input type="checkbox"/> <b>Accessory #107 E-Z</b><br>Two basket strainer covers and center or end outlet waste cover (adjustable) |
| <input type="checkbox"/> <b>Model #101 E-Z</b><br>One P-trap cover, one angle valve cover | <input type="checkbox"/> <b>Accessory #105 E-Z</b><br>One 5" offset tailpiece wheelchair strainer assembly  | <input type="checkbox"/> <b>Accessory #Ex99 E-Z</b><br>One 16" extension for water supply  |
| <input type="checkbox"/> <b>Model #401W*</b><br>One P-trap cover, one angle valve cover   |   | <input type="checkbox"/> <b>Accessory #Ex100 E-Z</b><br>One 16" extension for drain waste arm or tailpiece                         |
- \*All #400W series items are the "original" LAV GUARD<sup>2</sup> design and construction. Specifications may change without notice.



Job/Location \_\_\_\_\_

Designer \_\_\_\_\_

TRUEBRO reserves the right to make product and material changes at any time without notice.

P-5


QTY: 1

**PRODUCT SPECIFICATIONS**

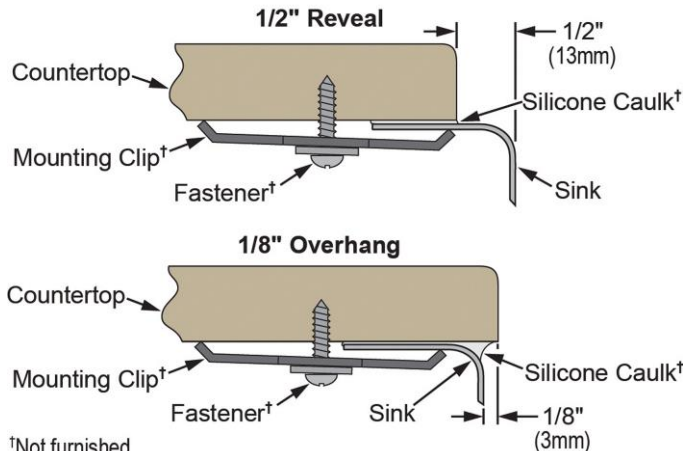
Elkay Lustertone Stainless Steel 14-1/2" x 14-1/2" x 5-3/8", Single Bowl Undermount Sink. Sink is manufactured from 18 gauge 304 Stainless Steel with a Lustrous Highlighted Satin finish, Rear Center drain placement, and Full spray sides and bottom with Bottom only pads.

<b>Installation Type:</b>	Undermount
<b>Material:</b>	304 Stainless Steel
<b>Finish:</b>	Lustrous Highlighted Satin
<b>Gauge:</b>	18
<b>Sound Deadening:</b>	Full spray sides and bottom with Bottom only pads
<b>Number of Bowls:</b>	1
<b>Sink Dimensions:</b>	14-1/2" x 14-1/2" x 5-3/8"
<b>Bowl 1 Dimensions:</b>	12" x 12" x 5-3/8"
<b>Drain Size:</b>	3-1/2" (89mm)
<b>Drain Location:</b>	Rear Center
<b>Minimum Cabinet Size:</b>	18"
<b>Mounting Hardware:</b>	Undermount brackets sold separately
<b>Template Included:</b>	Yes
<b>Cutout Template #:</b>	<a href="#">1000001423</a>

Template is available for download at [elkay.com](#)

 This sink is compliant to ADA and ANSI/ICC A117.1 accessibility requirements when installed according to the requirements outlined in these standards.

**Installation Profile:**



†Not furnished  
Designed to affix to the underside of any solid surface countertop.



AMERICAN PRIDE. A LIFETIME TRADITION.  
Like your family, the Elkay family has values and traditions that endure. For almost a century, Elkay has been a family-owned and operated company, providing thousands of jobs that support our families and communities.

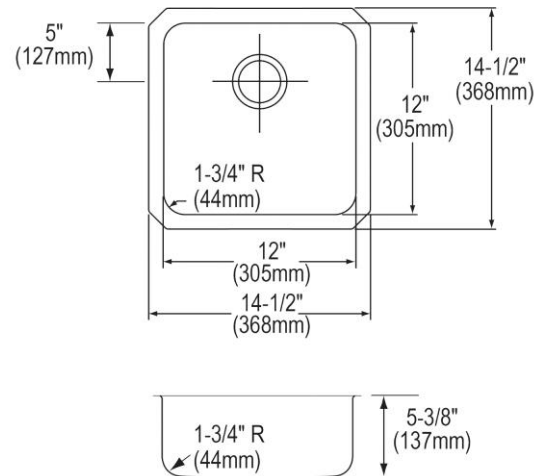


Sinks are listed by IAPMO<sup>®</sup> as meeting the applicable requirements of the Uniform Plumbing Code<sup>®</sup>, International Plumbing Code<sup>®</sup>, and National Plumbing Code of Canada.

**Product Compliance:** ADA & ICC A117.1  
ASME A112.19.3/CSA B45.4  
BUY AMERICAN ACT

[Clean and Care Manual \(PDF\)](#)  
[Installation Instructions \(PDF\)](#)  
[Limited Lifetime Warranty \(PDF\)](#)

Similar models are available with: additional ADA depths



PART: \_\_\_\_\_ QTY: \_\_\_\_\_  
PROJECT: \_\_\_\_\_  
CONTACT: \_\_\_\_\_  
DATE: \_\_\_\_\_  
NOTES: \_\_\_\_\_  
APPROVAL: \_\_\_\_\_

In keeping with our policy of continuing product improvement, Elkay reserves the right to change product specifications without notice. Please visit [elkay.com](#) for the most current version of Elkay product specification sheets. This specification describes an Elkay product with design, quality, and functional benefits to the user. When making a comparison of other producers' offerings, be certain these features are not overlooked.

**OPTIONAL ACCESSORIES**

<b>Drain:</b>	LK99, LKAD35
<b>Faucet:</b>	LKGT1042, LKGT2042
<b>Hardware:</b>	LKUCLIP8
<b>Rinsing Basket:</b>	LKWRB1209SS
<b>Sinkmate:</b>	LKSM17, LKSMHOOK, LKSMSPONGE, LKSMHSL
<b>Soap Dispenser:</b>	LKGT1054

*In keeping with our policy of continuing product improvement, Elkay reserves the right to change product specifications without notice. Please visit [elkay.com](http://elkay.com) for the most current version of Elkay product specification sheets. This specification describes an Elkay product with design, quality, and functional benefits to the user. When making a comparison of other producers' offerings, be certain these features are not overlooked.*



8 in. Widespread Commander® Faucet

**P-5 FAUCET**

**QTY:1**

**MODELS:**

- ❑ SC-3004-LD-E: Gooseneck faucet
- ❑ SC-3004-8-LD-E: 8 in. deep gooseneck faucet
- ❑ SC-3004-FC-LD: Gooseneck faucet with 2.0 gpm laminar flow control in base of spout

**FEATURES:**

- Polished chrome plated widespread gooseneck lavatory faucet with 1/4 turn ceramic cartridges.
- 8 in. fixed centers with rigid copper tee connection.
- Accommodates installations up to 1 1/2 in. thick.
- Lead-free brass widespread faucet with 5-1/4 in. deep spread gooseneck spout, rigid or swivel.
- Vandal-resistant 4 in. wrist blade handles with color-coded indexes.
- Vandal-resistant water conserving flow control reduces flow to 0.5 gpm (1.89 L/min) (SC-3004-LD & SC-3004-8-LD).
- No drain assembly.

**COMPLIANCE:**

- ASME A112.18.1/CSA B125.1 certified
- NSF 61 certified
- NSF 372 certified

**FINISH:**



PC

**ADD-ONS:**

- Cross handle kit: 2 chrome plated metal handles, 2 screws, red & blue index buttons
- 4in. wrist blade handle kit: 2 chrome plated brass handles, 2 screws, 2 lock washers, red & blue index buttons
- 0.5 gpm Boca spray outlet & 1.5 gpm laminar flow outlet kit (except SC-3004-FC-LD)
- Flex hose kit: 2 stainless steel hoses & 1 widespread hose tee
- Strainer drain with flat chrome plated brass strainer plate
- Push Pop-Up Drain in chrome plated brass
- 1.2 gpm laminar flow outlet (except SC-3004-FC-LD)
- 1.2 gpm aerator (except SC-3004-FC-LD)

❑ A-CROSS

❑ A-4WRIST

❑ A-BOLF

❑ A-HOSES

❑ S-3440

❑ S-3470

❑ A-ELF

❑ A-EA12



SC-3004-LD-E



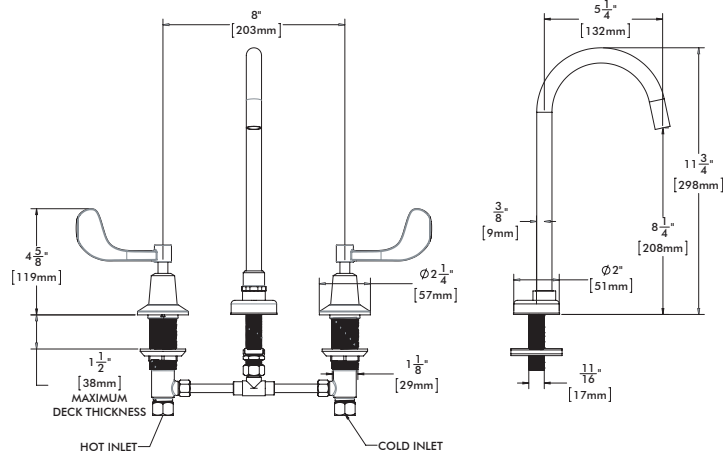
SC-3004-8-LD-E



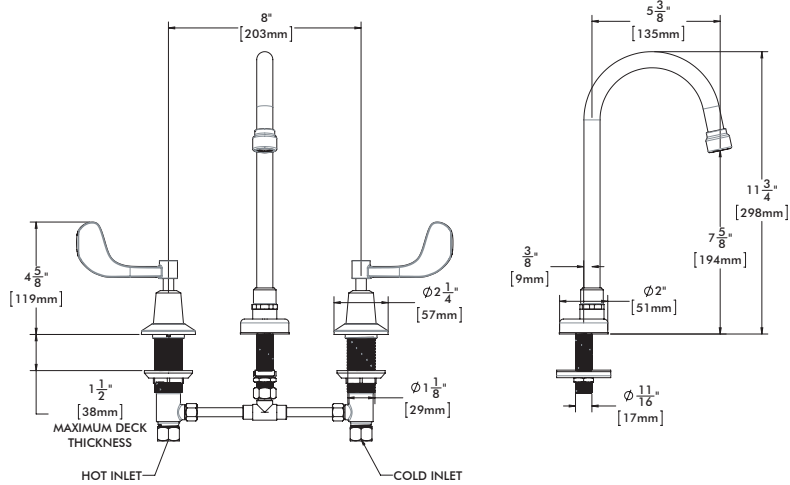
SC-3004-FC-LD



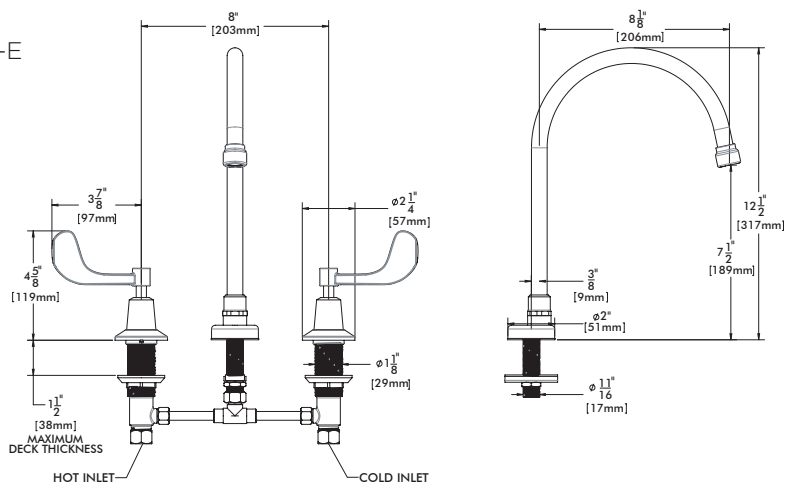
SC-3004-FC-LD



SC-3004-LD-E



SC-3004-8-LD-E



# ELKAY<sup>®</sup>

## SPECIFICATIONS

**P-5 STRAINER**

**Model LK35, LK35B and LK35L**

### GENERAL

**QTY:1**

#### LK35

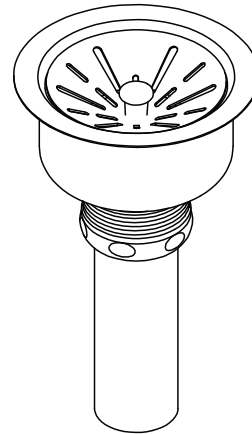
- Type 304 stainless steel body and removable conical basket strainer with metal stem and rubber stopper.
- Fits 3-1/2" (89mm) opening.
- Polished finish.
- Chrome plated brass 1-1/2" (38mm) x 4" (102mm) tailpiece.

#### LK35B

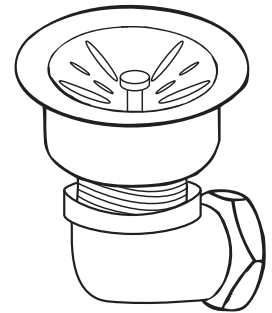
- Type 304 stainless steel body and removable conical basket strainer with metal stem and rubber stopper.
- Fits 3-1/2" (89mm) opening.
- Polished finish.
- Type 304 stainless steel 1-1/2" (38mm) x 4" (102mm) tailpiece.

#### LK35L

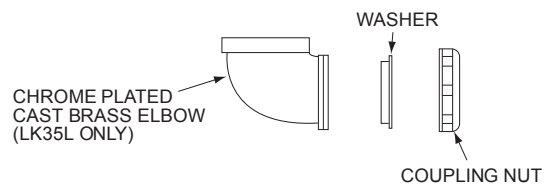
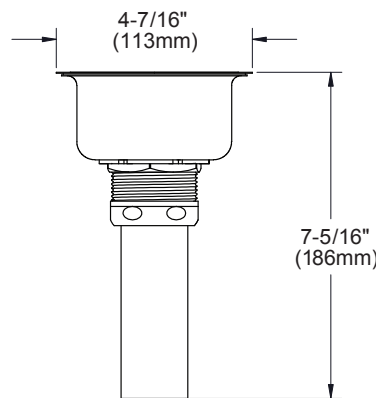
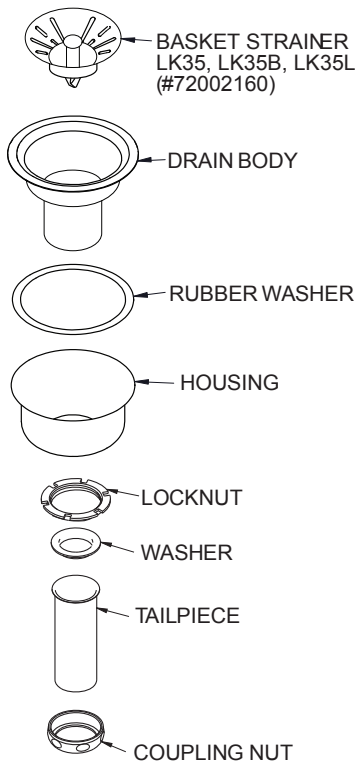
- Type 304 stainless steel body and removable conical basket strainer with metal stem and rubber stopper.
- Fits 3-1/2" (89mm) opening.
- Polished finish.
- Chrome plated cast brass 1-1/2" (38mm) 90° elbow.



Models LK35,  
LK35B



Model LK35L



*In keeping with our policy of continuing product improvement, Elkay reserves the right to change product specifications without notice. Please visit [elkayusa.com](http://elkayusa.com) for most current version of Elkay product specification sheets.*

*This specification describes an Elkay product with design, quality and functional benefits to the user. When making a comparison of other producers' offerings, be certain these features are not overlooked.*





**McGuire Manufacturing Co., Inc.**

60 Grandview Court  
 P.O. Box 746 • Cheshire, CT 06410  
 203-699-1801 • Fax: 203-699-1813  
 www.mcguiremfg.com

**PRODUCT SPECIFICATION**

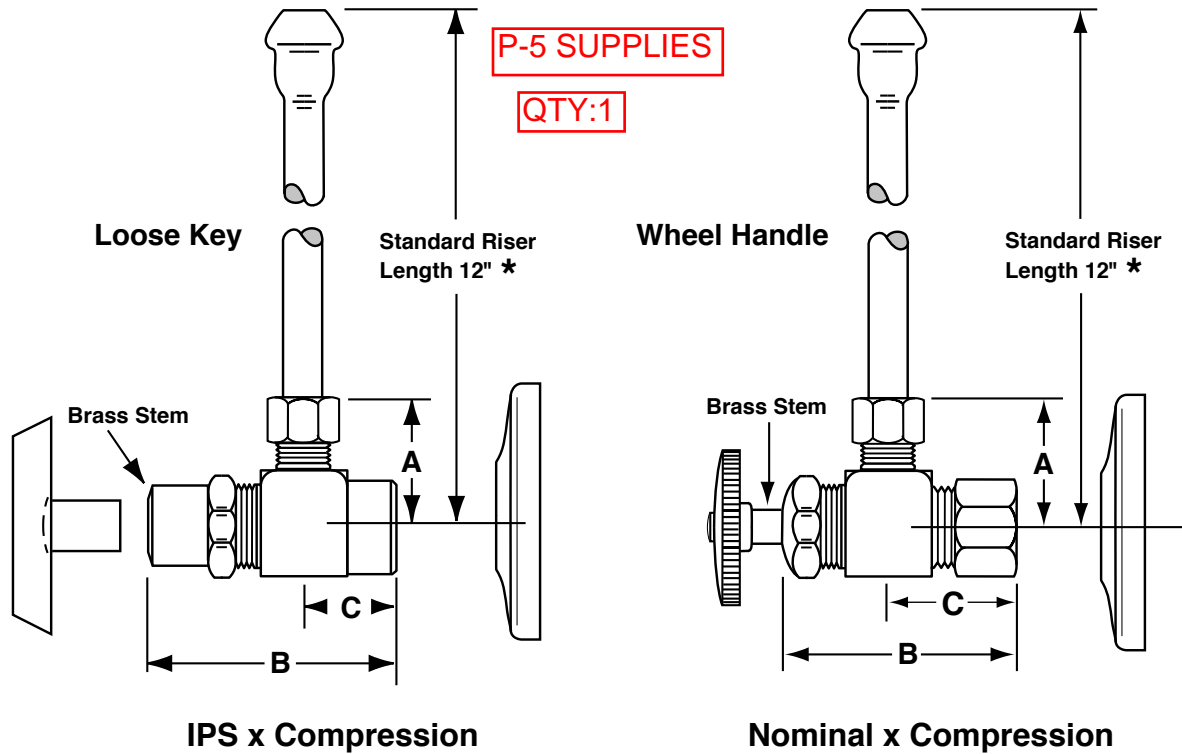
**Part No.**

**LFH2165, LFH2165LK,  
 LFH2167, LFH2167LK,  
 LFH2165CC, LFH2165CCLK**

**AB1953 Compliant  
 Heavy Lavatory Supply**

**Job Name:**

**Submittal Number:**



**P-5 SUPPLIES**

**QTY:1**

NO.	DESCRIPTION	ROUGHING MEASUREMENTS		
		A	B	C
LFH2165	1/2" IPS x 3/8" OD, Wheel Handle	1-3/8"	1-15/16"	1"
LFH2165LK	1/2" IPS x 3/8" OD, Loose Key	1-3/8"	2-5/8"	1"
LFH2167	1/2" IPS x 1/2" OD, Wheel Handle	1-3/8"	1-15/16"	1"
LFH2167LK	1/2" IPS x 1/2" OD, Loose Key	1-3/8"	2-5/8"	1"
LFH2165CC	1/2" Nominal x 3/8" OD, Wheel Handle	1-3/8"	2-1/4"	1-3/8"
LFH2165CCLK	1/2" Nominal x 3/8" OD, Loose Key	1-3/8"	2-15/16"	1-3/8"

LK designates *Loose Key*

\* See options and accessories section for details on product variations.



**Specifications:**

Supply kit shall include heavy pattern chrome plated AB1953 compliant supply stop valves with full turn brass stem, no plastic, (12, 15, 20) inch chrome plated risers and (shallow, deep, bell) (steel, brass) or (forged brass with set screw) flange. Inlet shall be 1/2 inch (IPS, compression). Outlet shall be (3/8, 1/2) inch compression. Supply kit shall be McGuire \_\_\_\_\_ . Supply shall be AB1953 certified by recognized authority and bear manufacturer and testing mark.



**McGuire Manufacturing Co., Inc.**

60 Grandview Court  
 P.O. Box 746 • Cheshire, CT 06410  
 203-699-1801 • Fax: 203-699-1813  
 www.mcguiremfg.com

**Part No.**

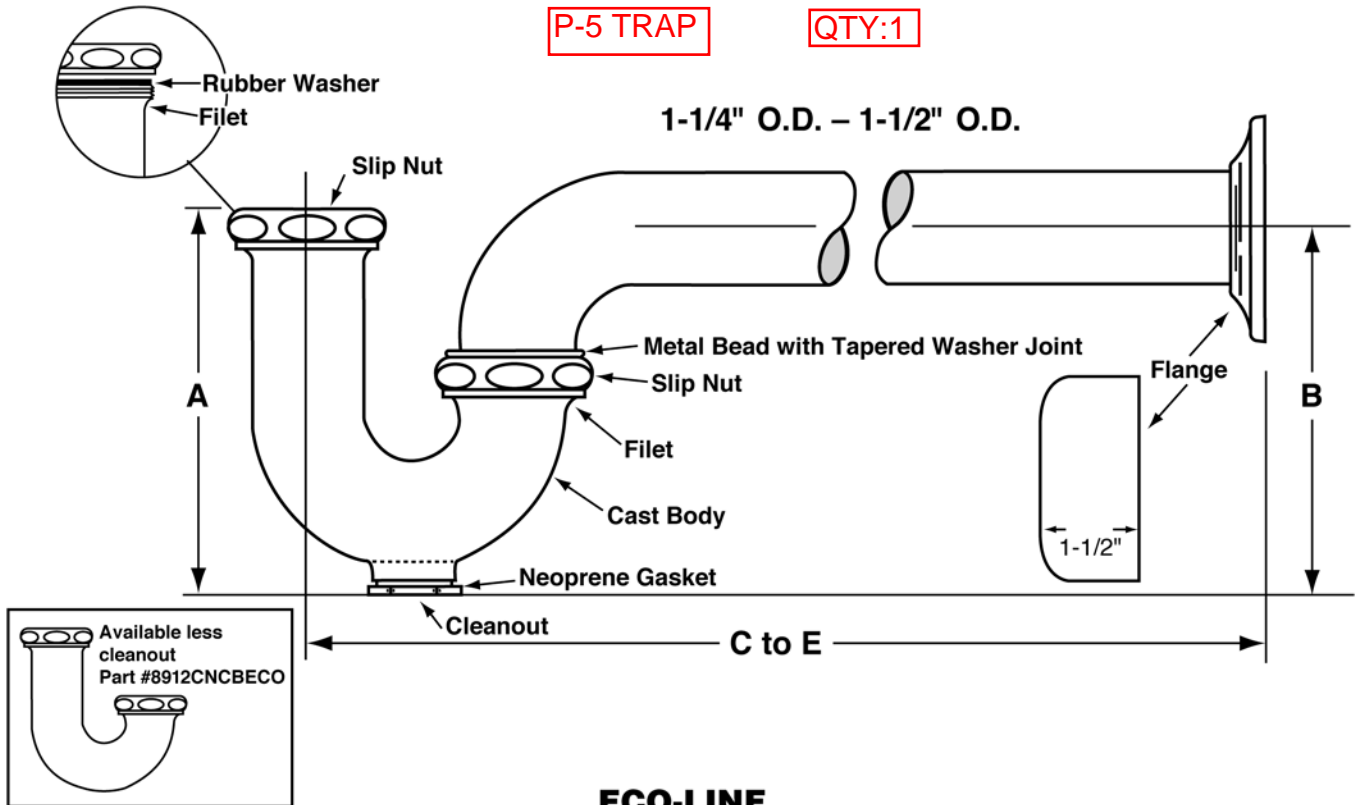
8872CBECO, C8872CECO, 8904CBECO  
 8912CBECO, C8912CECO,  
 8912CNCBECO, 8912C18BECO

**PRODUCT SPECIFICATION**

**Cast Body P-Trap With  
 or Without Cleanout**

**Job Name:**

**Submittal Number:**



**ECO-LINE**

**ROUGHING MEASUREMENTS**

MODEL NO.	TRAP DIMENSIONS		A	B	C to E	FLANGE	SLIP NUT
	INLET	OUTLET					
8872CBECO	1-1/4"	1-1/4"	4-1/2"	4-1/2"	11"	Box	Brass
C8872CECO	1-1/4"	1-1/4"	4-1/2"	4-1/2"	10"	Shallow	Zinc
8904CBECO	1-1/2", 2"	2"	5"	6"	13-1/2"	Box	Brass
8912CBECO	1-1/2", 1-1/4"	1-1/2"	5"	5"	12"	Box	Brass
C8912CECO	1-1/2", 1-1/4"	1-1/2"	5"	5"	10-1/2"	Shallow	Zinc
8912CNCBECO	1-1/2", 1-1/4"	1-1/2"	4-3/4"	4-1/2"	12"	Box	Brass
8912C18BECO	1-1/2", 1-1/4"	1-1/2"	5"	5"	18"	Box	Brass

FED SPEC W.W.P. 541  
 CAST BRASS P-TRAP  
 MINIMUM SEAL 2"



ASME A112.18.1-2011/CSA B125.2-11

**Specifications:**

Chrome plated P-Trap shall be cast brass body, with or without cleanout, with 17 gauge seamless tubular wall bend and flange.

# STUDOR<sup>®</sup> MINI-VENT<sup>™</sup>

## Air Admittance Valve for Plumbing Ventilation

P-5 2" APV

QTY:1

### Product Information/Specification Sheet

#### DESCRIPTION

The Studor Mini-Vent AAV is an accepted alternative to replace all forms of conventional branch and stack venting. With localised active ventilation of the building drainage system it is proven that the Mini-Vent provides greater protection to prevent induced and self-siphonage of the fixture traps.

The Mini-Vent opens and admits fresh air when the negative (suction) pressure occurs from a fixture discharging into the system. This equalizes the pressure within the system and protects the trap seal. When the flow stops, the Mini-Vent closes by gravity, preventing any transmission of foul air.

The Mini-Vent is used as an alternative to extending the vent pipes through the roof or sidewall.

#### FEATURES

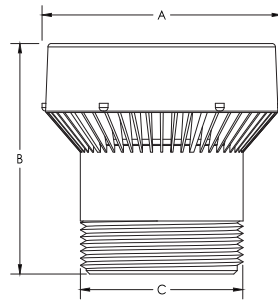
- Screening on the inside and outside of the Mini-Vent to protect the sealing membrane from foreign objects.
- Ability to divert condensation away from the sealing membrane.
- Prevents the release of foul air from the drainage system.
- Available in white ABS.
- As standard, the Mini-Vent is fitted with the push-fit Global Connector. For specific markets it may be provided with an alternative or no connector.

#### INSTALLATION

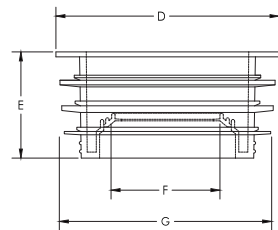
- The Mini-Vent should be connected to the piping in accordance with Studor's installation instructions.
- Refer to your local area regulations for open vent requirements.

#### WARRANTY

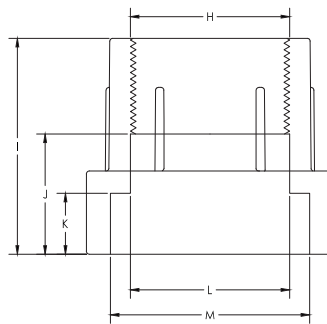
The Studor products have a lifetime warranty - equivalent to that of the drainage system in which they are installed. Visit [www.studor.net](http://www.studor.net) for full details.



Mini-Vent



Global Connector  
(supplied as standard)



US SCH40 Adaptor  
(specific markets only, including North America, Canada and Mexico)

#### PIPE SIZES

Europe	AU/NZ	USA
DN 32-50	DN 32-50	1 1/4" - 2"

#### DIMENSIONS

Dimension	Metric (mm)	Imperial (inches)
A	Ø70	Ø2 12/16
B	67	2 10/16
C	Ø47	Ø1 14/16
D	Ø67	Ø2 10/16
E	31.9	1 4/16
F	Ø33	Ø1 5/16
G	Ø64	Ø2 9/16
H	Ø49	Ø1 15/16
I	68	2 11/16
J	38	1 8/16
K	19	12/16
L	Ø51	Ø2
M	Ø63	Ø2 9/16

Note: Dimensions for reference only

#### PERFORMANCE PARAMETER

Temperature range	-20°C to +60°C (CE) -40°F to +150°F (ASSE)
Opening pressure	-70 Pa (-0.010 PSI)
Max. pressure rating tightness	10,000 Pa (1m/40" H <sub>2</sub> O) at 0 Pa or higher

Air flow capacity	Branch	Stack
Europe	7.5 l/s	7.5 l/s
AU/NZ	7.5 l/s /94 FU	7.5 l/s /7 FU
USA	1 to 160 DFU	8 to 24 DFU

#### MATERIALS

Component	Material
Mini-Vent cap & body	ABS
Mini-Vent membrane	Synthetic rubber
Global connector	TPE
US SCH40 adaptor	PVC

EN 12380	<b>CE</b>	<b>08</b>
Studor Ventech Limited, Millennium House, Victoria Road Douglas, Isle of Man IM2 4RW, British Isles		
Valve to ventilate drainage systems Designation: AI Airflow capacity: 7.5 l/s Airtightness tested at: 30/500/10000 Pa Range of temperature: -20°C to +60°C Effectiveness at temperatures below zero: -20°C Pipe material in accordance with: EN1329-1, EN1451-1, EN4514, EN12056-1 Pipe DN: 32, 40, 50, 63		



Technical Support and Design Assistance:

Tel: +44 845 601 3292 Fax: +44 845 601 3293

Email: [support@studor.net](mailto:support@studor.net)

[www.studor.net](http://www.studor.net)



AS/NZS 4936  
WMKT22085



011-7B003



ASSE 1000  
ANSI/ASSE 1051



BBA  
BRITISH BOARD OF  
ADVISERS

Also distributed under the following trade names:

**OsmaVent**  
**Mini-KNITS**



# "3PB-2DB" Pro-Bowl Sinks - 16 Gauge

Three Compartment Sinks w/ 2 Drainboard  
w/ Stainless Steel Base & Bracing

AUTOQUOTES

P-6

QTY: 1



STANDARD: 16 ga. 300 S/S welded Bowls  
16 ga. 300 S/S Deck and Splash  
10" Back Splash  
12" or 14" Deep Bowls

16 Gauge 12" Deep		Qty	16 Gauge 14" Deep		Qty
3PB1618-2D18			3PB16184-2D18		
3PB1618-2D24			3PB16184-2D24		
3PB1618-2D30			3PB-1618-2D30		
3PB18-2D18			3PB184-2D18		
3PB18-2D24			3PB184-2D24		
3PB18-2D30			3PB184-2D30		
3PB1824-2D18			3PB18244-2D18		
3PB1824-2D24			3PB18244-2D24		
3PD1824-2D30			3PD18244-2D30		
3PB24-2D24			3PB244-2D24		
3PB24-2D30			3PB244-2D30		
3PB3024-2D30			3PB30244-2D30		
3PB3024-2D36			3PB30244-2D36		

## FEATURES:

- \* Standard 16 Gauge  
Type 300 stainless steel with # 4 polish, satin finish
- \* 12" & 14" Deep Bowls
- \* All Corners, both vertical and horizontal, coved at 5/8" radius
- \* Bottoms of bowls formed for drainage to 3-1/2" diameter die stamped opening
- \* Full length **10" High Boxed Backsplash**, with 2" return to wall at 45 degree and 3/4" turned down rear lip
- \* 1-1/8" Faucet Holes in Backsplash
- \* Solid Stainless Steel front panel, type 300 stainless steel with # 4 polish, satin finish
- \* All outside corners of assembly are Bullnosed to provide safe, clean and polished edge
- \* Standard legs 1-5/8" diameter, 16 gauge stainless steel
- \* Legs located directly under sink bowls, providing increased stability and maximum weight support
- \* 36" Drainboards are standard w/ additional stainless steel legs

## CONSTRUCTION:

Top: Stainless Steel Sinks are TIG welded, Exposed welds are polished to match adjacent surface.  
Bases: Stainless Steel Bases, Standard K.D.

## MATERIAL:

Bowls & 16 gauge stainless Steel  
Top: Type 300 stainless steel with # 4 polish, satin finish  
Legs: 1 5/8" Round O.D., 16 gauge stainless steel  
Bracing: 1 1/4" Round O.D., 16 gauge stainless steel  
Gussets: Stainless Steel  
Feet: 1" adjustable stainless steel bullet feet

## Bowl Sizes:

16" X 18"	18" X 24"
16" X 20"	24" X 24"
18" X 18"	30" X 24"

## OPTIONAL ACCESSORIES

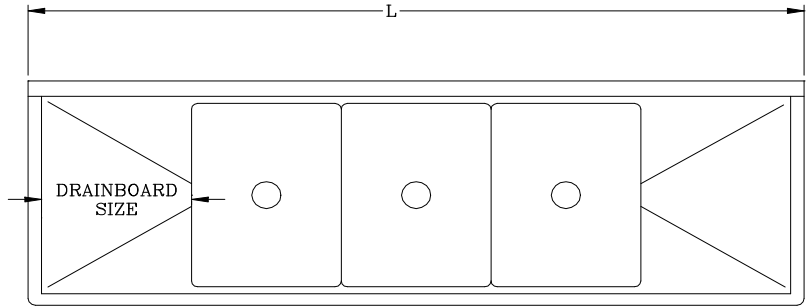
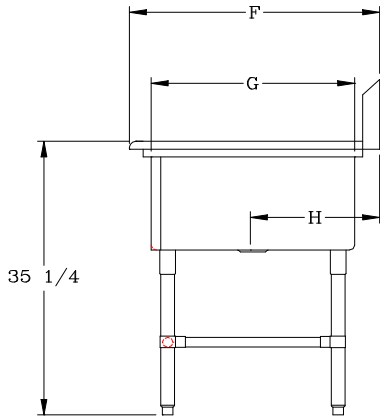
	Qty
END SPLASHS, RIGHT , LEFT or BOTH	
FAUCETS	
ADD-A-FAUCETS	
PRE-RINSE UNITS	
LEVEL WASTE	
OVERSHELVES	
POT RACK	

## John Boos & Co

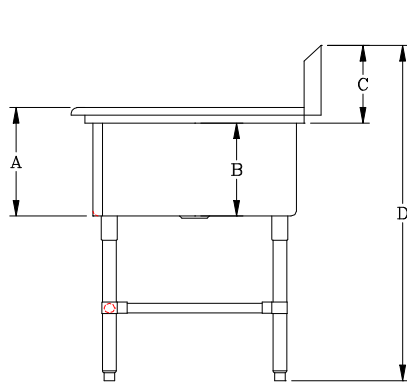
3601 S. Banker Street - Effingham, IL 62401  
Phone: 217-347-7701 - Fax: 217-347-7705  
Email: sales@johnboos.com - Web-site: www. johnboos.com

## DETAILED SPECIFICATIONS

BOWLS	F	G	H
16 X 18	23-1/2"	18"	11-15/16"
16 X 20	25-1/2"	20"	12-15/16"
18 X 18	23-1/2"	18"	11-15/16"
18 X 24	29-1/2"	24"	14-15/16"
24 X 24	29-1/2"	24"	14-15/16"
30 X 24	29-1/2"	24"	14-15/16"



16 GAUGE * 12" DEEP				
MODEL	BOWL SIZE	DIMENSIONS	DB	WT.
3PB1618-2D18	16 X 18 X 12	87-1/4" X 23-1/2"	18"	345
3PB1618-2D24	16 X 18 X 12	99-1/4" X 23-1/2"	24"	370
3PB1618-2D30	16 X 18 X 12	111-1/4" X 23-1/2"	30"	395
3PB18-2D18	18 X 18 X 12	93-1/4" X 23-1/2"	18"	317
3PB18-2D24	18 X 18 X 12	105-1/4" X 23-1/2"	24"	390
3PB18-2D30	18 X 18 X 12	117-1/4" X 23-1/2"	30"	415
3PB1824-2D18	18 X 24 X 12	93-1/4" X 29-1/2"	18"	405
3PB1824-2D24	18 X 24 X 12	105-1/4" X 29-1/2"	24"	430
3PB1824-2D30	18 X 24 X 12	117-1/4" X 29-1/2"	30"	455
3PB24-2D24	24 X 24 X 12	123-1/4" X 29-1/2"	24"	490
3PB24-2D30	24 X 24 X 12	135-1/4" X 29-1/2"	30"	515
3PB3024-2D30	30 X 24 X 12	153-1/4" X 29-1/2"	30"	580
3PB3024-2D36	30 X 24 X 12	165-1/4" X 29-1/2"	36"	605



	12" Deep	14" Deep
<b>A</b>	14"	16"
<b>B</b>	12"	14"
<b>C</b>	10"	10"
<b>D</b>	43"	43"

16 GAUGE * 14" DEEP				
MODEL	BOWL SIZE	DIMENSIONS	DB	WT.
3PB16184-2D18	16 X 18 X 14	87-1/4" X 23-1/2"	18"	348
3PB16184-2D24	16 X 18 X 14	99-1/4" X 23-1/2"	24"	373
3PB16184-2D30	16 X 18 X 14	111-1/4" X 23-1/2"	30"	398
3PB184-2D18	18 X 24 X 14	93-1/4" X 23-1/2"	18"	320
3PB184-2D24	18 X 18 X 14	105-1/4" X 23-1/2"	24"	393
3PB184-2D30	18 X 18 X 14	117-1/4" X 23-1/2"	30"	418
3PB18244-2D18	18 X 24 X 14	93-1/4" X 29-1/2"	18"	408
3PB18244-2D24	18 X 24 X 14	105-1/4" X 29-1/2"	24"	433
3PB18244-2D30	18 X 24 X 14	117-1/4" X 29-1/2"	30"	458
3PB244-2D24	24 X 24 X 14	123-1/4" X 29-1/2"	24"	493
3PB244-2D30	24 X 24 X 14	135-1/4" X 29-1/2"	30"	518
3PB30244-2D30	30 X 24 X 14	153-1/4" X 29-1/2"	30"	583
3PB30244-2D36	30 X 24 X 14	165-1/4" X 29-1/2"	36"	608

All dimensions are typical.

Tolerance +/- .500".

All units ship unassembled for reduced shipping cost.

### John Boos & Co

3601 S. Banker Str - Effingham, IL 62401 Phone: 217-347-7701 - Fax: 217-347-7705

Email: sales@johnboos.com - Web-site: www.johnboos.com



July 2013

John Boos is constantly engaged in a program of improving products and therefore reserves the right to change specification without prior notice



**T&S BRASS AND BRONZE WORKS, INC.**  
 2 Saddleback Cove / P.O. Box 1088  
 Travelers Rest, SC 29690

Model No.  
**B-0231**

Item No.

Travelers Rest, SC: 800-476-4103 • Simi Valley, CA: 800-423-0150 • Fax: 864-834-3518 • www.tsbrass.com

**P-6 FAUCET**

**QTY:2**



**ADA Compliant**

This Space for Architect/Engineer Approval

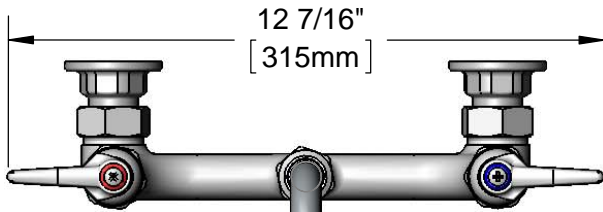
Job Name \_\_\_\_\_ Date \_\_\_\_\_

Model Specified \_\_\_\_\_ Quantity \_\_\_\_\_

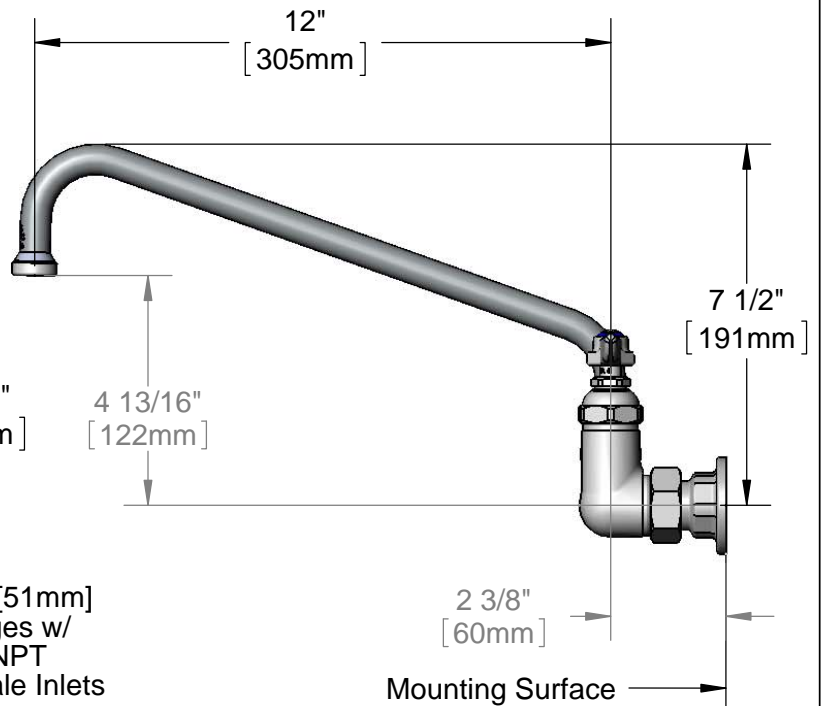
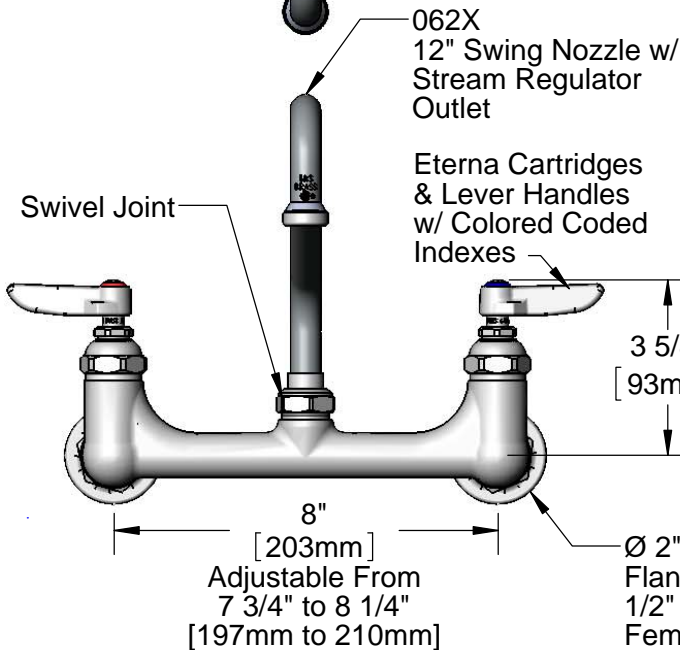
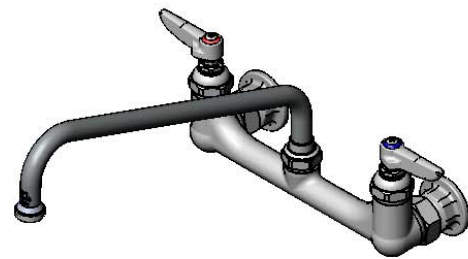
Customer/Wholesaler \_\_\_\_\_

Contractor \_\_\_\_\_

Architect/Engineer \_\_\_\_\_



12 7/16"  
[315mm]



**Product Specifications:**

**8" Wall Mount Mixing Faucet w/ Eterna Cartridges, Lever Handles, 12" Swing Nozzle & 1/2" NPT Female Inlets**

**Product Compliance:**

ASME A112.18.1 / CSA B125.1  
 NSF 61 - Section 9  
 NSF 372 (Low Lead Content)  
 ANSI A117.1 (ADA)





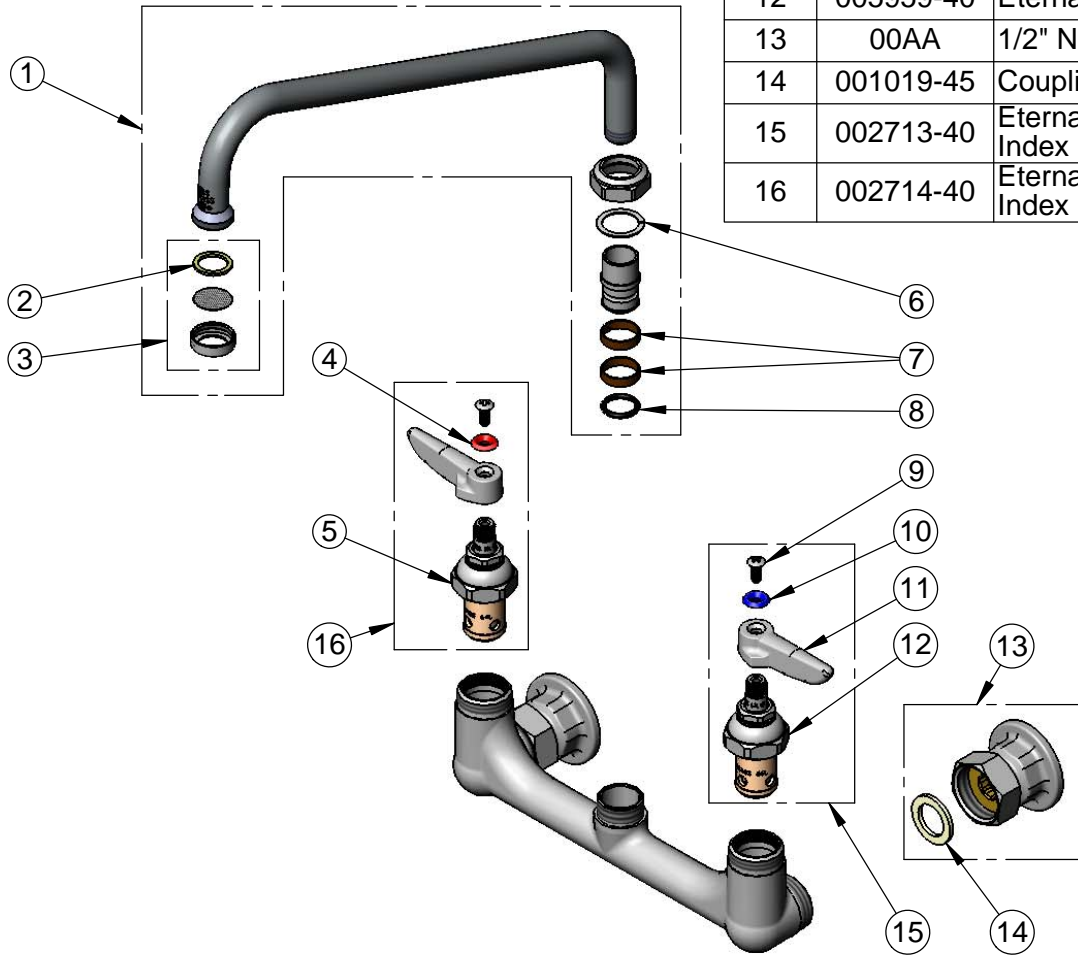
**T&S BRASS AND BRONZE WORKS, INC.**  
 2 Saddleback Cove / P.O. Box 1088  
 Travelers Rest, SC 29690

Model No.  
**B-0231**

Item No.

Travelers Rest, SC: 800-476-4103 • Simi Valley, CA: 800-423-0150 • Fax: 864-834-3518 • www.tsbrass.com

ITEM NO.	SALES NO.	DESCRIPTION
1	062X	12" Swing Nozzle
2	001048-45	Nozzle Tip Washer
3	B-PT	Stream Regulator Outlet
4	001661-45	Red Index-HW
5	005960-40	Eterna Cartridge, RTC
6	009538-45	Swivel Washer
7	011429-45	Swivel Sleeves (2)
8	001074-45	O-Ring
9	000922-45	Lever Handle Screw
10	001660-45	Blue Index-CW
11	001638-45	Lever Handle
12	005959-40	Eterna Cartridge, LTC
13	00AA	1/2" NPT Female Eccentric Flange
14	001019-45	Coupling Nut Washer
15	002713-40	Eterna Cartridge, LTC w/ Handle, Index & Screw
16	002714-40	Eterna Cartridge, RTC w/ Handle, Index & Screw



Product Specifications:  
**8" Wall Mount Mixing Faucet w/ Eterna Cartridges, Lever Handles, 12" Swing Nozzle & 1/2" NPT Female Inlets**

Product Compliance:  
 ASME A112.18.1 / CSA B125.1  
 NSF 61 - Section 9  
 NSF 372 (Low Lead Content)  
 ANSI A117.1 (ADA)



**McGuire Manufacturing Co., Inc.**

60 Grandview Court  
 P.O. Box 746 • Cheshire, CT 06410  
 203-699-1801 • Fax: 203-699-1813  
 www.mcguiremfg.com

**PRODUCT SPECIFICATION**

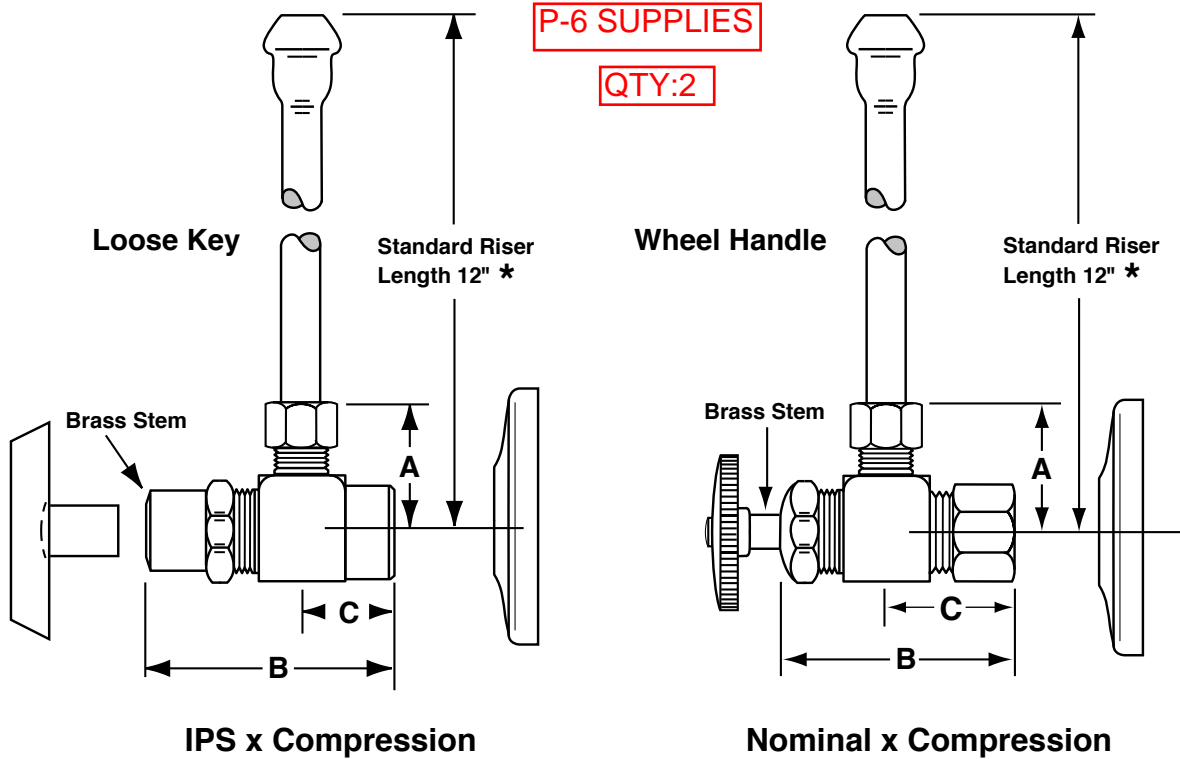
**Part No.**

**LFH2165, LFH2165LK,  
 LFH2167, LFH2167LK,  
 LFH2165CC, LFH2165CCLK**

**AB1953 Compliant  
 Heavy Lavatory Supply**

**Job Name:**

**Submittal Number:**



**P-6 SUPPLIES**

**QTY:2**

NO.	DESCRIPTION	ROUGHING MEASUREMENTS		
		A	B	C
LFH2165	1/2" IPS x 3/8" OD, Wheel Handle	1-3/8"	1-15/16"	1"
LFH2165LK	1/2" IPS x 3/8" OD, Loose Key	1-3/8"	2-5/8"	1"
LFH2167	1/2" IPS x 1/2" OD, Wheel Handle	1-3/8"	1-15/16"	1"
LFH2167LK	1/2" IPS x 1/2" OD, Loose Key	1-3/8"	2-5/8"	1"
LFH2165CC	1/2" Nominal x 3/8" OD, Wheel Handle	1-3/8"	2-1/4"	1-3/8"
LFH2165CCLK	1/2" Nominal x 3/8" OD, Loose Key	1-3/8"	2-15/16"	1-3/8"

LK designates *Loose Key*

\* See options and accessories section for details on product variations.



**Specifications:**

Supply kit shall include heavy pattern chrome plated AB1953 compliant supply stop valves with full turn brass stem, no plastic, (12, 15, 20) inch chrome plated risers and (shallow, deep, bell) (steel, brass) or (forged brass with set screw) flange. Inlet shall be 1/2 inch (IPS, compression). Outlet shall be (3/8, 1/2) inch compression. Supply kit shall be McGuire \_\_\_\_\_ . Supply shall be AB1953 certified by recognized authority and bear manufacturer and testing mark.



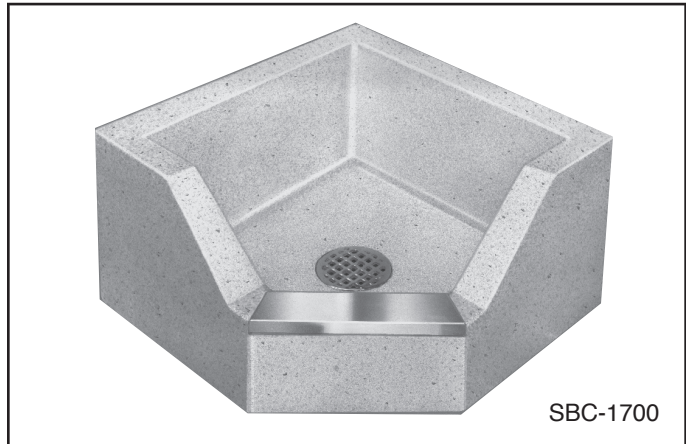


P-7  
QTY:1

**STERN**  
**WILLIAMS**  
**HiLow<sup>®</sup> CORLow<sup>®</sup>**  
 MOP SERVICE BASINS  
**ARCHITECTURAL SPECIFICATIONS**

**HiLow<sup>®</sup>**

**CORLow<sup>®</sup>**



**6" FRONT DROP WITH STAINLESS STEEL CAP**

MODEL	SIZE
HL-1800	24"x24"x12"
HL-1900	32"x32"x12"
HL-2000	36"x36"x12"
HL-2100	36"x24"x12"

**6" FRONT DROP WITH STAINLESS STEEL CAP ALL SIDES**

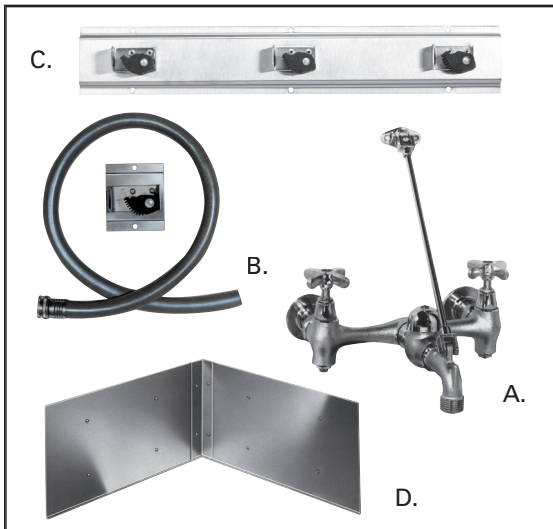
MODEL	SIZE
HL-1810	24"x24"x12"
HL-1910	32"x32"x12"
HL-2010	36"x36"x12"
HL-2110	36"x24"x12"

**6" FRONT DROP WITH STAINLESS STEEL CAP**

MODEL	SIZE
SBC-1700	24"x24"x12"
SBC-1702*	24"x24"x12"
SBC-1725	32"x32"x12"
SBC-1750	36"x36"x12"

\*NOTE: 2 tiling flanges extending 1" above shoulder on 2 sides.

Model No. ( ) Size ( ), as manufactured by Stern-Williams Co., Inc. Shoulders shall not be less than 9-3/4" high inside measurement, and not less than 1-1/4" wide. All models have 6" drop at threshold. Drain shall be cast brass with stainless steel strainer cast integral and shall provide for a caulked lead connection not less than 1" deep to a 3" pipe. Receptor composed of pearl gray marble chips and white Portland cement ground smooth, grouted and sealed to resist stains. Stainless steel cap of one piece 20 ga. 302 stainless steel cast integral on threshold.

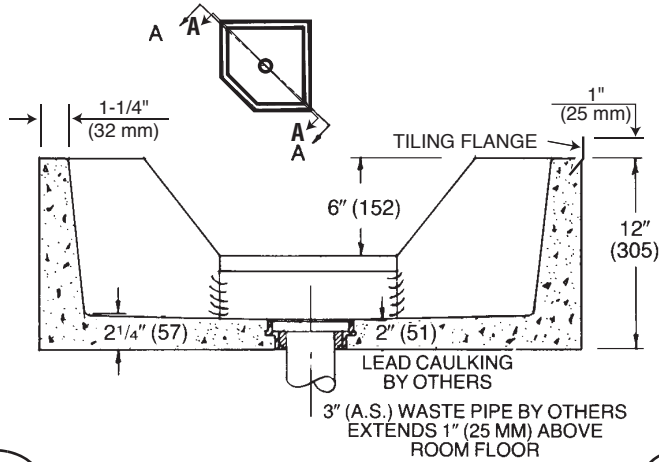


**QUALITY OPTIONAL FITTINGS**

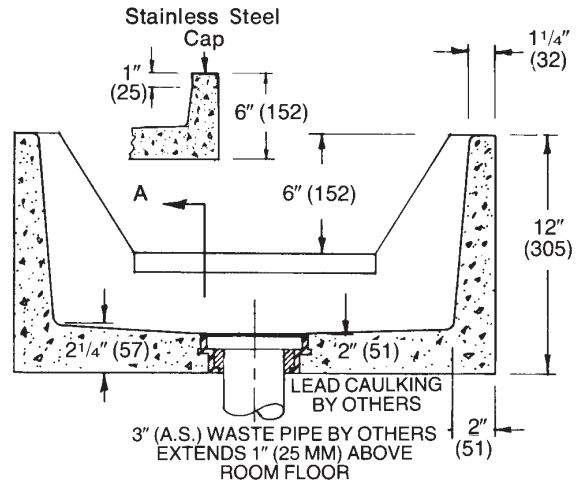
- A. **T-10-VB** Mop-Service sink fitting with vacuum breaker, adjustable top brace, 3/4" hose thread on spout with bucket hook inlets 8" on center, chrome finish.  
**T-15 VB** same as above with polished chrome finish.
- B. **T-35** Hose and wall hook. Hose 36" long, with 3/4" chrome couplings. Wall bracket of stainless steel.
- C. **T-40** Stainless Steel Mop Hanger of stainless steel with #4 finish. . . 24" long, with 3 rubber spring loaded grips.
- D. **BP** Splash Catcher Panels of 20 ga. type 304 stainless steel.

**JOB ARCHITECT**  
**LOCATION ENGINEER**

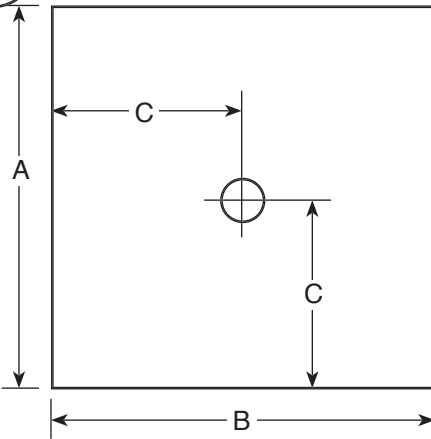
### CROSS SECTION SERIES 1700



### CROSS SECTION SERIES 1800, 1900, 2000, 2100



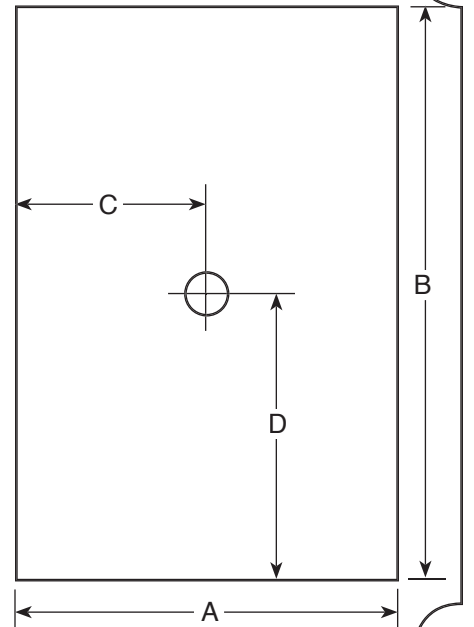
### ROUGH-IN SERIES 1800, 1900, 2000, 2100



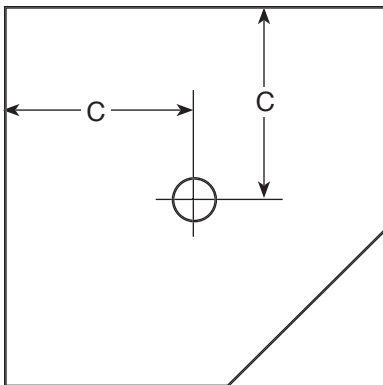
MODEL	A		B		C	
	IN	MM	IN	MM	IN	MM
1800	24	610	24	610	12	305
1900	32	813	32	813	16	406
2000	36	915	36	915	18	457

MODEL	A		B		C	
	IN	MM	IN	MM	IN	MM
1810	24	610	24	610	12	305
1910	32	813	32	813	16	406
2010	36	915	36	915	18	457

MODEL	A		B		C		D	
	IN	MM	IN	MM	IN	MM	IN	MM
2100	24	610	36	915	12	305	18	457
2110	24	610	36	915	12	305	18	457



### ROUGH-IN MODEL 1700 SERIES



MODEL	A		B		C	
	IN	MM	IN	MM	IN	MM
SBC-1700	24	610	24	610	12	305
SBC-1702	24	610	24	610	12	305
SBC-1725	32	813	32	813	12	305
SBC-1750	36	915	36	915	12	305

Note: All dimensions subject to manufacturing variance of plus or minus 1/4" (6 MM).

## Commander® Service Sink Faucet

### MODELS:

P-7 FAUCET

QTY:1

- SC-5811: Polished chrome plated Commander service sink
- SC-5811-RCP: Rough chrome plated Commander service sink

### FEATURES:

- Chrome plated cast brass Commander service sink fitting with 1/4 turn ceramic cartridges.
- Integral stops. Cast brass nozzle with 3/4 in. hose thread and pail hook.
- Brass vacuum breaker.
- Brass top brace assembly with wall flange and mounting screws.
- Distance from finished wall to nozzle outlet is 9 in.
- 8 in. centers with adjustable threaded brass wall flanges provide +/- 1/4 in. adjustments.
- 1/2 in. NPTF inlets.
- Vandal-resistant four-arm handles with color-coded indexes.

### COMPLIANCE:

- ASME A112.18.1/CSA B125.1 certified
- ASSE-1001 certified

### FINISH:



PC

RCP

### ADD-ONS: Add suffix to model #

- Check valves in swivel assembly  A-CK
- 5 ft. vinyl hose with wall hook  A-5H
- Safety eyewash attachment  SEF-9200
- 4in. wrist blade handle kit: 2 chrome plated brass handles, 2 screws, 2 lock washers, red & blue index buttons  A-4WRIST

### WARRANTY:

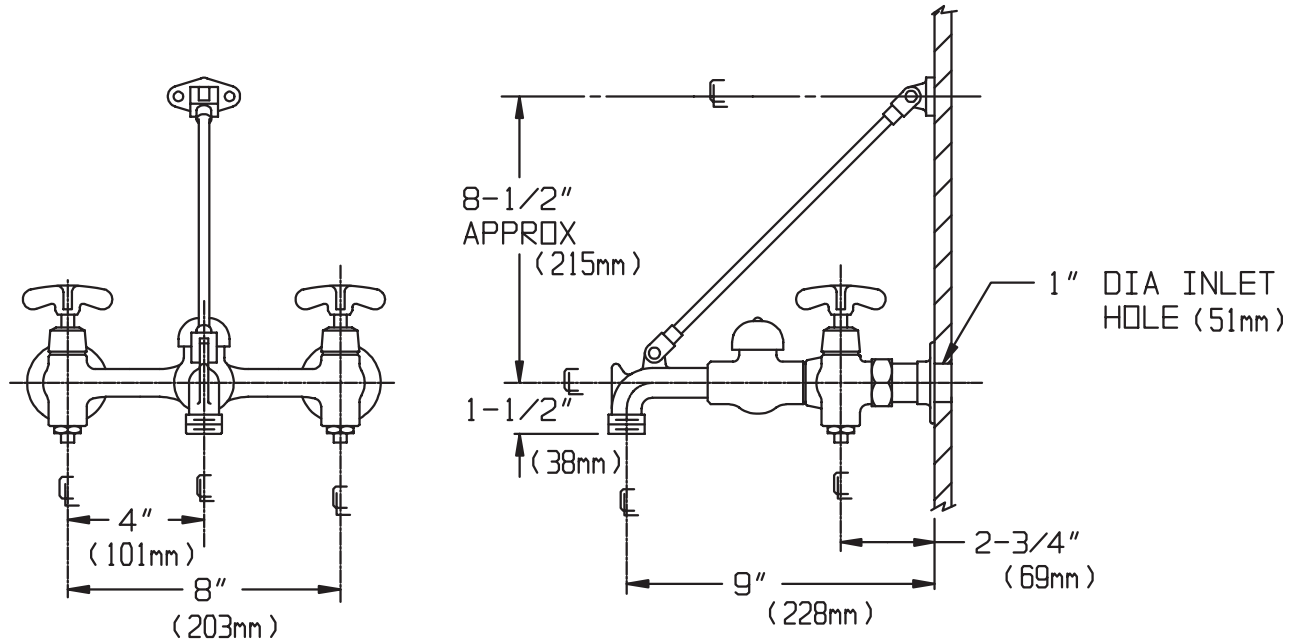
- 5 Year Limited (commercial use)



SC-5811-RCP



**DIMENSIONS:** NOTE: 1. All dimensions are in inches (millimeters) unless otherwise specified and are subject to change without notice.  
2. All inlets are 1/2" NPT female.



Architect/Engineer Approval Space:

SPEAKMAN  
400 ANCHOR MILL ROAD  
NEW CASTLE, DE 19720

P: 800-537-2107  
F: 800-977-2747  
W: WWW.SPEAKMAN.COM  
R: OCTOBER 2016



Profit from the Eagle Advantage®

# Specification Sheet

P-8

QTY:1

Item No.:	_____
Project No.:	_____
S.I.S. No.:	_____

## Short Form Specifications

Eagle Hand Sink, model HSA-10. Constructed of type 304 stainless steel, all-welded with deep-drawn positive drain sink bowl, inverted "V" edge to prevent spillage and basket drain. Unit less faucet.

Eagle Hand Sink, model HSA-10-F. Features the same as sink #HSA-10, plus splash mounted gooseneck faucet.

Eagle Hand Sink, model HSA-10-FA. Features the same as sink #HSA-10, plus p-trap, tailpiece, and splash mounted gooseneck faucet.

Eagle Hand Sink, model HSA-10-FAW. Features the same as sink #HSA-10, plus p-trap, tailpiece, and splash mounted gooseneck faucet with wrist handles.

Eagle Hand Sink, model HSA-10-FL. Constructed of type 304 stainless steel, all-welded with deep-drawn positive drain sink bowl, inverted "V" edge to prevent spillage, polymer lever drain, and splash mounted gooseneck faucet.

Eagle Hand Sink, model HSA-10-FO. Features the same as sink #HSA-10-FL, plus polymer lever drain includes overflow.



#HSA-10-F

## Traditional Hand Sinks

### MODELS:

- HSA-10
- HSA-10-F
- HSA-10-FAW
- HSA-10-FA
- HSA-10-FL
- HSA-10-FO

### Design & Construction Features

- Heavy gauge type 304 stainless steel all-welded construction.
- Inverted "V" edge rim retards spillage.
- Unique deep-drawn positive-drain bowl assures complete drainage to meet the most stringent health code requirements.
- Water inlet: 1/2" (13mm) NPS.
- Drain outlet: 1 1/2" (38mm) NPS.
- Six models to choose from.

### Options / Accessories

- P-trap
- Tail piece
- End splashes
- Front skirt
- Side mount wall bracket
- MICROGARD®\* antimicrobial protection

\* For hand sinks #HSA-10, HSA-10-F, HSA-10-FA, and HSA-10-FAW

### EAGLE GROUP

100 Industrial Boulevard, Clayton, DE 19938-8903 USA

Phone: 302-653-3000 • Fax: 302-653-2065

www.eaglegrp.com

Foodservice Division: Phone 800-441-8440

MHC/Retail Display Divisions: Phone 800-637-5100

For custom configuration or fabrication needs, contact our SpecFAB® Division.

Phone: 302-653-3000 • Fax: 302-653-3091 • e-mail: quotes@eaglegrp.com

### Certifications / Approvals



### AUTOQUOTES



EG20.40 Rev. 02/13

Spec sheets available for viewing, printing or downloading from our online literature library at [www.eaglegrp.com](http://www.eaglegrp.com)

Eagle Foodservice Equipment, Eagle MHC, SpecFAB®, and Retail Display are divisions of Eagle Group. ©2013 by the Eagle Group

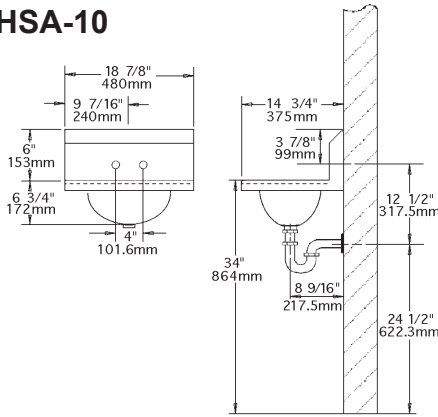


Profit from the Eagle Advantage®

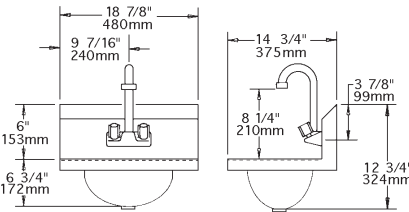
Item No.: \_\_\_\_\_  
 Project No.: \_\_\_\_\_  
 S.I.S. No.: \_\_\_\_\_

# Traditional Hand Sinks

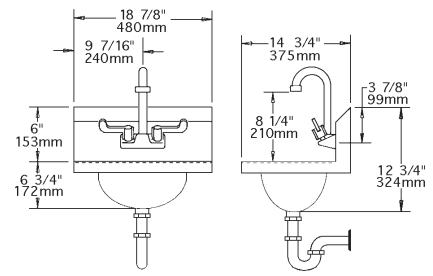
**HSA-10**



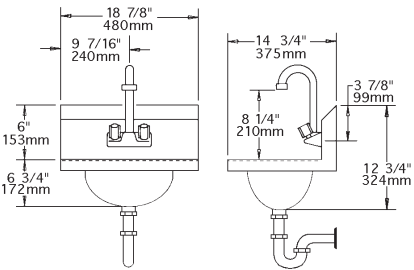
**HSA-10-F**



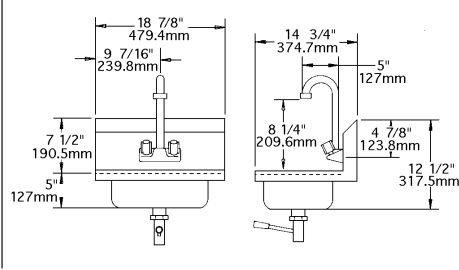
**HSA-10-FAW**



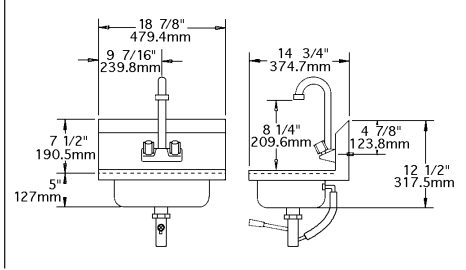
**HSA-10-FA**



**HSA-10-FL**



**HSA-10-FO**



model #	includes	bowl size		overall size		weight	
		width	length x depth	width	length x height	lbs.	kg
<b>HSA-10 *</b>	4" (102mm) centerline faucet holes, basket drain	9 3/4"	13 1/2" x 6 3/4"	248 x 343 x 173	14 3/4" x 18 7/8" x 12 3/4"	376 x 480 x 324	10 4.5
<b>HSA-10-F</b>	faucet, basket drain	9 3/4"	13 1/2" x 6 3/4"	248 x 343 x 173	14 3/4" x 18 7/8" x 12 3/4"	376 x 480 x 324	12 5.2
<b>HSA-10-FA</b>	faucet, p-trap, tail piece, basket drain	9 3/4"	13 1/2" x 6 3/4"	248 x 343 x 173	14 3/4" x 18 7/8" x 12 3/4"	376 x 480 x 324	14 6.4
<b>HSA-10-FAW</b>	faucet w/wrist handles, p-trap, tail piece, basket drain	9 3/4"	13 1/2" x 6 3/4"	248 x 343 x 173	14 3/4" x 18 7/8" x 12 3/4"	376 x 480 x 324	14 6.4
<b>HSA-10-FL</b>	faucet, polymer lever drain	10"	14" x 5"	254 x 256 x 127	14 3/4" x 18 7/8" x 12 1/2"	376 x 480 x 318	15 6.6
<b>HSA-10-FO</b>	faucet, polymer lever drain w/overflow	10"	14" x 5"	254 x 256 x 127	14 3/4" x 18 7/8" x 12 1/2"	376 x 480 x 318	13 5.9

\* To order hand sink with no faucet holes, add suffix "-NH" to model number (example: HSA-10-NH).

**EAGLE GROUP**  
 100 Industrial Boulevard, Clayton, DE 19938-8903 USA  
 Phone: 302-653-3000 • Fax: 302-653-2065  
 www.eaglegrp.com

Foodservice Division: Phone 800-441-8440  
 MHC/Retail Display Divisions: Phone 800-637-5100

Printed in U.S.A.  
 ©2013 by Eagle Group  
 Rev. 02/13

Spec sheets available for viewing, printing or downloading from our online literature library at [www.eaglegrp.com](http://www.eaglegrp.com)

Although every attempt has been made to ensure the accuracy of the information provided, we cannot be held responsible for typographical or printing errors. Information and specifications are subject to change without notice. Please confirm at time of order.





**McGuire Manufacturing Co., Inc.**

60 Grandview Court  
 P.O. Box 746 • Cheshire, CT 06410  
 203-699-1801 • Fax: 203-699-1813  
 www.mcguiremfg.com

**PRODUCT SPECIFICATION**

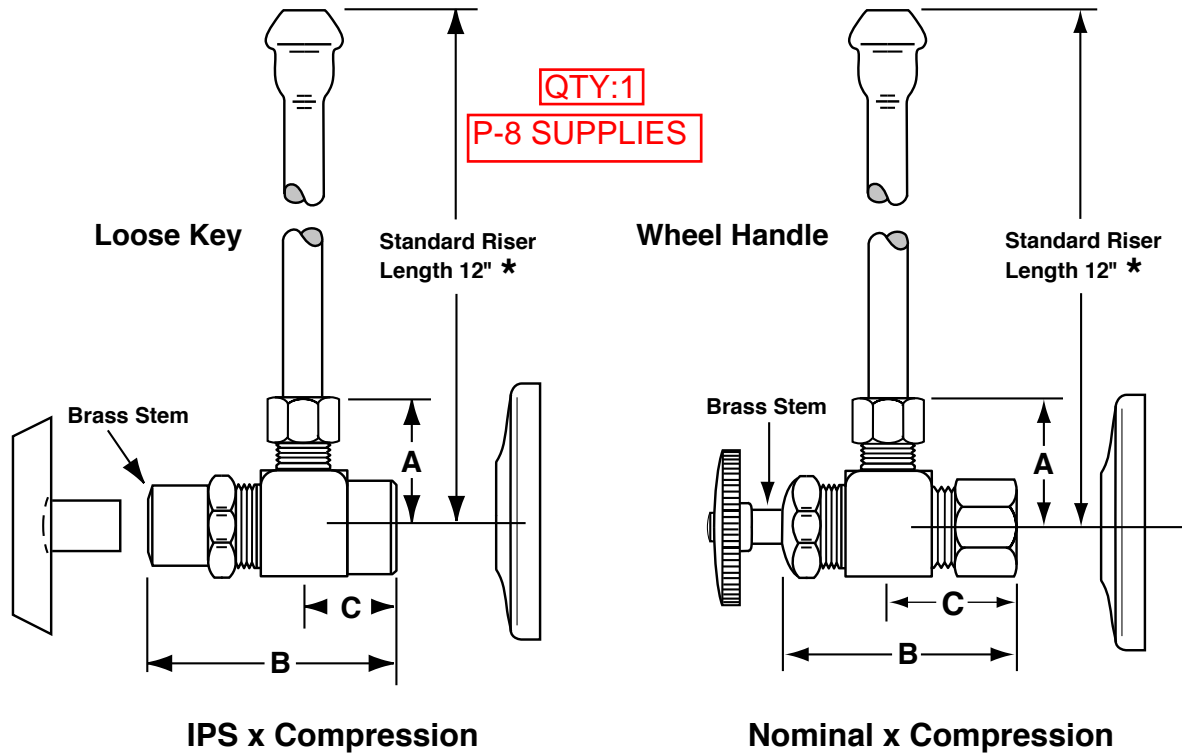
**Part No.**

**LFH2165, LFH2165LK,  
 LFH2167, LFH2167LK,  
 LFH2165CC, LFH2165CCLK**

**AB1953 Compliant  
 Heavy Lavatory Supply**

**Job Name:**

**Submittal Number:**



NO.	DESCRIPTION	ROUGHING MEASUREMENTS		
		A	B	C
LFH2165	1/2" IPS x 3/8" OD, Wheel Handle	1-3/8"	1-15/16"	1"
LFH2165LK	1/2" IPS x 3/8" OD, Loose Key	1-3/8"	2-5/8"	1"
LFH2167	1/2" IPS x 1/2" OD, Wheel Handle	1-3/8"	1-15/16"	1"
LFH2167LK	1/2" IPS x 1/2" OD, Loose Key	1-3/8"	2-5/8"	1"
LFH2165CC	1/2" Nominal x 3/8" OD, Wheel Handle	1-3/8"	2-1/4"	1-3/8"
LFH2165CCLK	1/2" Nominal x 3/8" OD, Loose Key	1-3/8"	2-15/16"	1-3/8"

LK designates *Loose Key*

\* See options and accessories section for details on product variations.



**Specifications:**

Supply kit shall include heavy pattern chrome plated AB1953 compliant supply stop valves with full turn brass stem, no plastic, (12, 15, 20) inch chrome plated risers and (shallow, deep, bell) (steel, brass) or (forged brass with set screw) flange. Inlet shall be 1/2 inch (IPS, compression). Outlet shall be (3/8, 1/2) inch compression. Supply kit shall be McGuire \_\_\_\_\_ . Supply shall be AB1953 certified by recognized authority and bear manufacturer and testing mark.



**McGuire Manufacturing Co., Inc.**

60 Grandview Court  
 P.O. Box 746 • Cheshire, CT 06410  
 203-699-1801 • Fax: 203-699-1813  
 www.mcguiremfg.com

**Part No.**

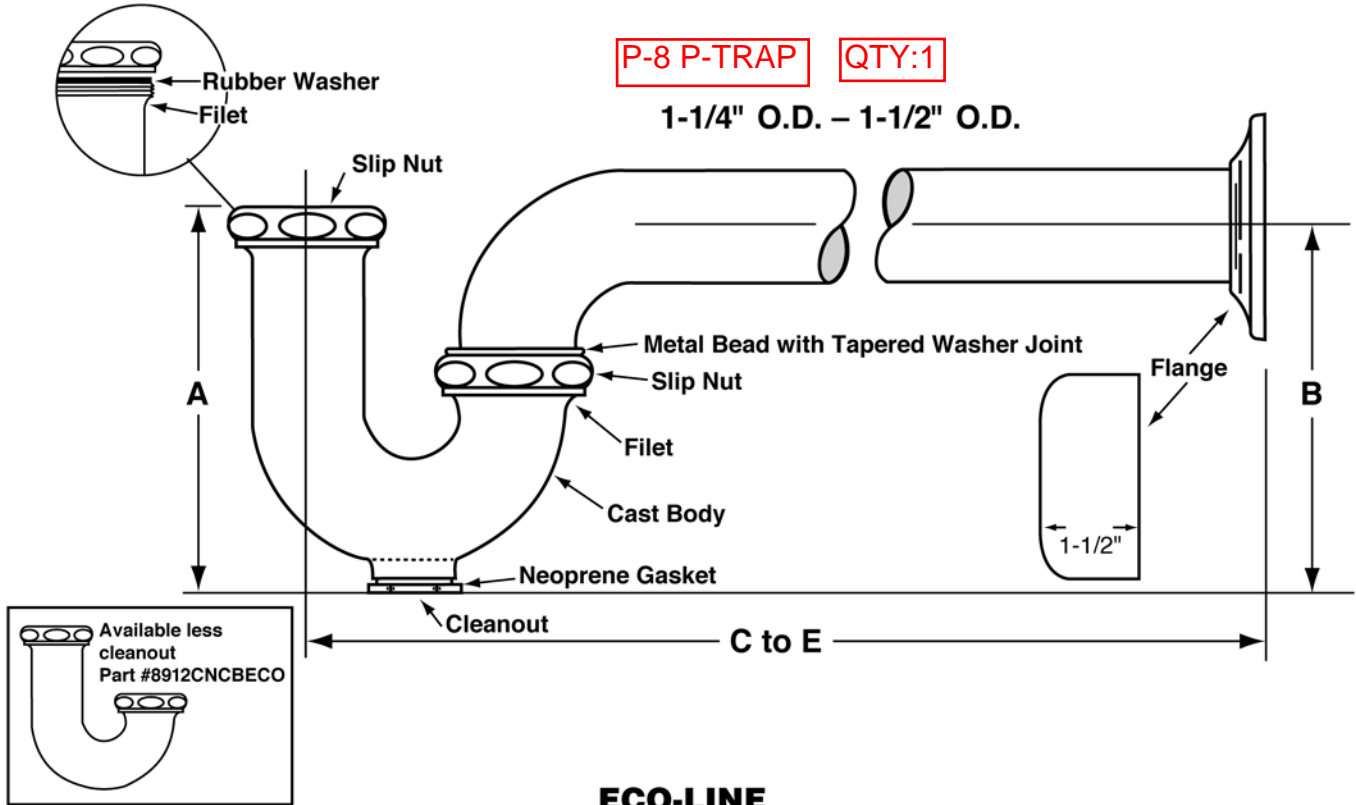
8872CBECO, C8872CECO, 8904CBECO  
 8912CBECO, C8912CECO,  
 8912CNCBECO, 8912C18BECO

**PRODUCT SPECIFICATION**

**Cast Body P-Trap With  
 or Without Cleanout**

**Job Name:**

**Submittal Number:**



**ECO-LINE**

**ROUGHING MEASUREMENTS**

MODEL NO.	TRAP DIMENSIONS		A	B	C to E	FLANGE	SLIP NUT
	INLET	OUTLET					
8872CBECO	1-1/4"	1-1/4"	4-1/2"	4-1/2"	11"	Box	Brass
C8872CECO	1-1/4"	1-1/4"	4-1/2"	4-1/2"	10"	Shallow	Zinc
8904CBECO	1-1/2", 2"	2"	5"	6"	13-1/2"	Box	Brass
8912CBECO	1-1/2", 1-1/4"	1-1/2"	5"	5"	12"	Box	Brass
C8912CECO	1-1/2", 1-1/4"	1-1/2"	5"	5"	10-1/2"	Shallow	Zinc
8912CNCBECO	1-1/2", 1-1/4"	1-1/2"	4-3/4"	4-1/2"	12"	Box	Brass
8912C18BECO	1-1/2", 1-1/4"	1-1/2"	5"	5"	18"	Box	Brass

FED SPEC W.W.P. 541  
 CAST BRASS P-TRAP  
 MINIMUM SEAL 2"



ASME A112.18.1-2011/CSA B125.2-11

**Specifications:**

Chrome plated P-Trap shall be cast brass body, with or without cleanout, with 17 gauge seamless tubular wall bend and flange.



# Anti-Siphon Wall Faucets

## Model 24/B24/Y24

The Model 24 and B24 are anti-siphon, vacuum breaker protected wall faucets designed for irrigation purposes in mild climate areas. The Model B24 is enclosed in a flush mounted wall box. Both models are designed to blend with modern architecture for installation on or in homes, service stations, churches, motels, drive-in restaurants, etc. The Model Y24 is designed to be used on a stand pipe in the lawn and garden, etc.

### SPECIFICATIONS:

#### VACUUM BREAKER - ANTI-SIPHON:

- NIDEL® Model 34HF with 3/4 inch male hose thread
- ASSE Standard 1011 approved
- IAPMO® listed
- Canadian Standards Association

P-9

QTY:2

**EPDM PACKING:** Prevents leaking.

**PACKING NUT:** Adjustable brass nut with deep stem guard.

**VALVE SEAT:** Standard "O" size washer.

**HANDLES:** Furnished with polycarbonate wheel handle and loose tee key.

**Optional:** Metal wheel handle.

**INLETS:** Model 24 as shown below.  
Model B24: 24P- 1/2 or 24P 3/4 only.  
Model Y24: 3/4 " FPT.

**MAX PRESSURE:** 125 p.s.i.

**MAX TEMPERATURE:** 120° F

**SHIPPING WEIGHT:** (per unit)

**MODEL 24 & Y24:** 1 lb

**MODEL B24:** 13 lbs (brass or chrome box)  
6 lbs (aluminum box)



MODEL 24

#### Exterior Finish:

Standard - Chrome (CH)

Optional- Rough Brass (BR) or Polished Chrome (PC)



MODEL B24

#### Exterior Finish:

Standard - Chrome (CH)

Optional- Rough Brass (BR) or Polished Brass (PB)

Other Options: Anodized Aluminum Box (AL)



MODEL Y24

#### Exterior Finish:

Standard - Chrome (CH)

Optional- Rough Brass (BR) or Polished Chrome (PC)

### Inlet Descriptions

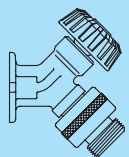
#### MODEL 24/B24

P-1/2 Inlet

1/2" FPT

P-3/4 Inlet

3/4" FPT



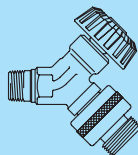
#### MODEL 24 ONLY

CP Inlet

COMBINATION

1/2" COPPER TUBE

1/2" MPT



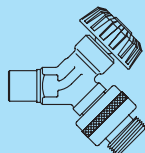
#### MODEL 24 ONLY

C Inlet

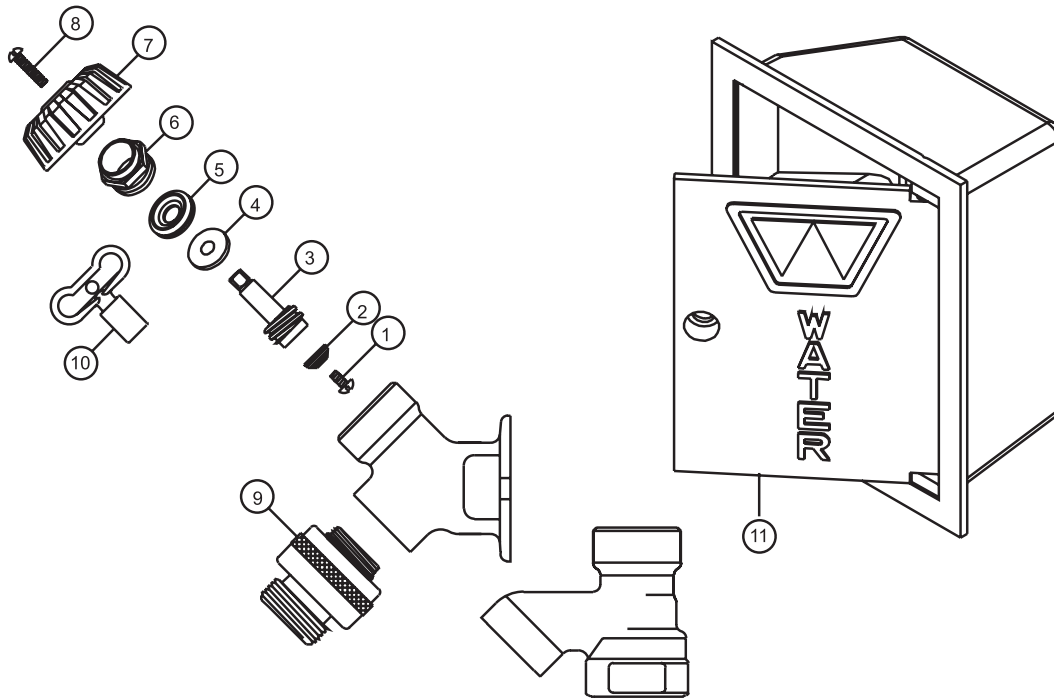
COMBINATION

1/2" COPPER TUBE

3/4" COPPER TUBE



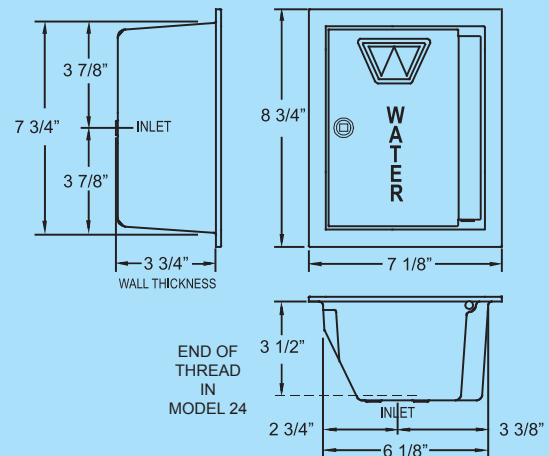
For Installation / Troubleshooting Instructions go to [www.woodfordmfg.com](http://www.woodfordmfg.com) or call 1-800-621-6032

**WOODFORD**

### MODEL 24/B24/Y24 PARTS LIST

ITEM	PART#	DESCRIPTION
1	30009	Washer Screw
2	30008	Washer
3	30104	Operating Stem
4	30105	Packing Support Washer
5	30247	EPDM Packing
6	30109	Packing Nut - Chrome
	30107	Packing Nut - Brass
7	30120	Wheel Handle - Clear
	30233	Wheel Handle - Tan
8	30121	Handle Screw - Nickel
	30002	Handle Screw - Brass
9	34HF-CH	34HF Vacuum Breaker - Chrome
	34HF-BR	34HF Vacuum Breaker - Brass
10	50009	Tee Key
11	B24BX	Box/Door Assembly - Chrome
	B24BX-BR	Box/Door Assembly - Brass
	B24BX-PB	Box/Door Assembly - Polished Brass
	B24BX-AL	Box/Door Assembly - Anodized Aluminum
	RK-24	Chrome Repair Kit (Includes items 1-8)
	RK-H34	Brass Repair Kit (Includes items 1-8)

### MODEL B24 Rough-In Dimensions



Manufactured under one or more of the following patents: U.S. Patents: 3,414,001; 3,543,786; 4,178,956; 4,316,481; D216,790; D216,791; D277,365; D277,366; Canada Patents: 822,458; 852,529; 865,995

*For more information contact...*

## WOODFORD MANUFACTURING COMPANY

2121 Waynoka Road, Colorado Springs, Colorado 80915 • Phone: (800) 621-6032 • Fax: (800) 765-4115

To view our complete product line visit: [www.woodfordmfg.com](http://www.woodfordmfg.com) or email: [sales@woodfordmfg.com](mailto:sales@woodfordmfg.com)

A Division Of WCM Industries, Inc.



## PATRIOT™

WH-1,2,3,4

Designed for use as a recovery heater having its own storage tank. Available in upright, standard, and lowboy models.

### GLASSLINED TANK

- Thirteen sizes; 6 thru 119 gallon capacity. Tank interior is coated with glass specially designed by State Water Heaters for water heater use.

### ELEMENTS

- Zinc plated copper sheaths for longer life. Medium watt density means lower surface temperature to minimize scale build-up and more surface to heat water. Element sizes from 1.5 to 6 KW. Maximum input 12 KW (see chart).

### STANDARD VOLTAGES

- 120, 277 single phase and 208, 240 and 480V unbalanced three-phase delta; easily converted to single-phase at terminal block (except 208V with 6000 watt elements). Single element heaters, single-phase only.

### TERMINAL BLOCK

- Factory-installed. Just bring the service to heater and connect to block. Terminal block not supplied on 120V & 277 volt models. (No junction box on PCE 6-20)

### CONTROLS

- Temperature control (adjustable through a range of 120° to 181°F on all models) and manual reset high temperature cutoff per element (dual element models). Factory-wired for non-simultaneous operation; easily converted to simultaneous element operation (three phase models only).

### CSA CERTIFIED AND ASME RATED T&P RELIEF VALVE

### SIMPLIFIED CIRCUITRY, COLOR CODED FOR EASE OF SERVICE

### ANODE ROD FOR MAXIMUM CORROSION PROTECTION

### CABINET HAS BONDERIZED UNDERCOAT WITH BAKED ENAMEL FINISH

### TOP INLET AND OUTLET OPENINGS

### DRAIN VALVE (EXCLUDES PCE 6-20)

### UL APPROVED FIELD CONVERSION PROGRAM

### COMPLIANCE

- Meets the standby loss Requirements of the U.S. Department of Energy and current edition of ASHRAE/IESNA 90.1.

### LIMITED WARRANTY OUTLINE

- If the tank should leak any time during the first three years, under the terms of the warranty, State Water Heaters will furnish a replacement heater; installation, labor, handling and local delivery extra. THIS OUTLINE IS NOT A WARRANTY. For complete information consult the written warranty or State Water Heaters.



Low Lead Content



# SOLID. STATE.



# Commercial Light Duty Electric

## Water Heaters

### Recovery Capacities

WH-2,3,4

Element Wattage (Upper/Lower)	Input kW	U.S. Gallons/Hr and Liters/Hr. at Temperature Rise Indicated											
		F°	36	40	54	60	72	80	90	100	108	120	126
		C°	20	22.2	30	33.3	40	44.4	50	55.5	60	66.6	70
<b>Non-Simultaneous Operation</b>													
/1500	1.5	GPH	17	15	11	10	8	8	7	6	6	5	5
		LPH	64	58	43	38	32	29	26	23	21	19	18
/2000	2	GPH	23	20	15	14	11	10	9	8	8	7	6
		LPH	85	77	57	51	43	38	34	31	28	26	24
/2500	2.5	GPH	28	25	19	17	14	13	11	10	9	8	8
		LPH	107	96	71	64	53	48	43	38	36	32	30
3000/3000	3.0	GPH	34	30	23	20	17	15	14	12	11	10	10
		LPH	128	115	85	77	64	58	51	46	43	38	37
4000/4000	4.0	GPH	45	41	30	27	23	20	18	16	15	14	13
		LPH	170	153	114	102	85	77	68	61	57	51	49
4500/4500	4.5	GPH	51	46	34	30	25	23	20	18	17	15	14
		LPH	192	173	128	115	96	86	77	69	64	58	55
5000/5000	5.0	GPH	56	51	38	34	28	25	23	20	19	17	16
		LPH	213	192	142	128	107	96	85	77	71	64	61
6000/6000	6.0	GPH	68	61	45	41	34	30	27	24	23	20	19
		LPH	256	230	170	153	128	115	102	92	85	77	73
<b>Simultaneous Operation</b>													
3000/3000	6.0	GPH	68	61	45	41	34	30	27	24	23	20	19
		LPH	256	230	170	153	128	115	102	92	85	77	73
4000/4000	8.0	GPH	90	81	60	54	45	41	36	32	30	27	26
		LPH	341	307	227	205	170	153	136	123	114	102	97
4500/4500	9	GPH	101	91	68	61	51	46	41	36	34	30	29
		LPH	384	345	256	230	192	173	153	138	128	115	110
5000/5000	10.0	GPH	113	101	75	68	56	51	45	41	38	34	32
		LPH	426	384	284	256	213	192	170	153	142	128	122
6000/6000	12.0	GPH	135	122	90	81	68	61	54	49	45	41	39
		LPH	511	460	341	307	256	230	205	184	170	153	146

Recovery capacities at 100° F rise equal: for non-simultaneous element operation = 4.1 gal. x kW of one element; for simultaneous element operation = 4.1 gal. x 2/3 kW of both elements. For other rises multiply element kW as previously explained by 4.1 and divide by temperature rise. Full load current for single phase = total watts ÷ voltage.

WH-1



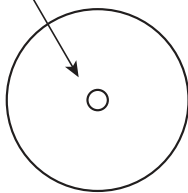
WH-2,3,4

## Tank Capacities, Dimensions and Weights

Model Number	No. of Elements	Tank Capacity		A		B		C		D		Approx. Shipping Weight	
		U.S. Gals.	Liters	Inches	mm	Inches	mm	Inches	mm	Inches	mm	lbs.	kG.
PCE 6 10MSA	1	6	23	15-1/2	394	14-1/4	362	11	279	N/A	N/A	35	15.9
PCE 10 10MSA	1	10	38	18-1/4	464	18	457	12-1/2	318	N/A	N/A	54	24.5
PCE 17 0MSA	1	15	57	26	660	18	457	20-1/2	521	N/A	N/A	58	26.3
PCE 20 10MSA	1	20	76	22-1/4	565	21-3/4	552	15-3/8	391	N/A	N/A	73	33.1
PCE 30 20LSA	2	30	114	30-7/8	784	21-3/4	552	24-1/8	613	8	203	100	45.4
PCE 40 20LSA	2	40	151	32-1/4	819	24	610	25-9/16	649	8	203	125	56.7
PCE 50 20LSA	2	50	189	32-1/4	819	26-1/2	673	25-1/8	638	8	203	166	75.3
PCE 30 20RTA	2	30	114	34-1/2	876	20-1/2	521	N/A	N/A	8	203	98	44.5
PCE 40 20RTA	2	40	151	45-1/8	1146	20-1/2	521	N/A	N/A	8	203	113	51.3
PCE 52 20RTA	2	50	189	54-7/8	1394	20-1/2	521	N/A	N/A	8	203	131	59.4
PCE 66 20RTA	2	66	250	60-3/4	1543	21-3/4	552	N/A	N/A	8	203	176	79.8
PCE 82 20RTA	2	80	303	59-3/8	1508	24	610	N/A	N/A	8	203	211	95.7
PCE 120 20RTA	2	119	450	62-7/16	1586	29-3/8	746	N/A	N/A	8	203	326	147.9

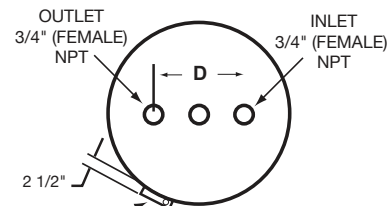
Dimensions and specifications subject to change without notice in accordance with our policy of continuous product improvement.

OUTLET PCE 6-10MSA



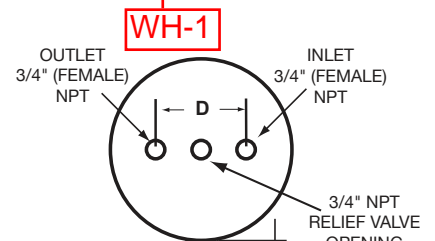
TOP VIEW

PCE 6 10MSA, PCE 10 10MSA  
PCE 17 10MSA, PCE 20 10MSA



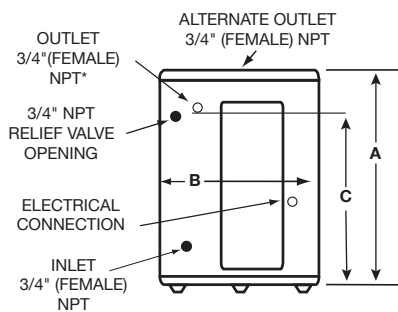
TOP VIEW

PCE 30 20LSA, PCE 40 20LSA,  
PCE 50 20LSA



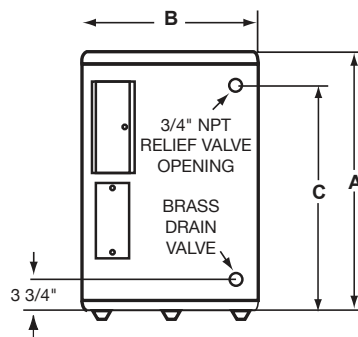
TOP VIEW

PCE 30 20RTA - PCE 120 20RTA



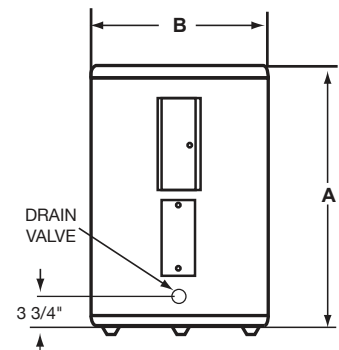
FRONT VIEW

PCE 6 10MSA, PCE 10 10MSA  
PCE 17 10MSA, PCE 20 10MSA



FRONT VIEW

PCE 30 20LSA, PCE 40 20LSA,  
PCE 50 20LSA



FRONT VIEW

PCE 30 20RTA - PCE 120 20RTA

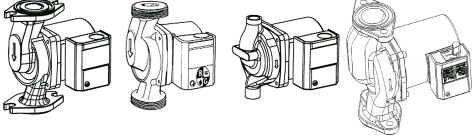


### **SPECIFICATION**

The water heaters(s) shall be Patriot™ Model(s) No. \_\_\_\_\_ as manufactured by State Water Heaters or an approved equal. Heater(s) shall be rated at \_\_\_\_\_kW, \_\_\_\_\_volts, \_\_\_\_\_-phase, 60 cycle AC, and listed by Underwriters' Laboratories. Models shall meet the standby loss requirements of the U.S. Department of energy and current edition of ASHRAE/IESNA 90.1. Tank(s) shall be \_\_\_\_\_gallon capacity. Heater(s) shall have 150 psi working pressure and be equipped with extruded high density anode rod. All internal surfaces of the heater(s) exposed to water shall be glasslined with an alkaline borosilicate composition that has been fused-to-steel by firing at a temperature range of 1400°F to 1600°F. Electric heating elements shall be medium watt density with zinc plated copper sheath. Each element shall be controlled by an individually mounted thermostat and high temperature cutoff switch. The outer jacket shall be of backed enamel finish and shall enclose the tank with foam insulation. Electrical junction box with heavy duty terminal block shall be provided (except on 120V & 277V {no junction box on PCE 6 thru 20}). The drain valve shall be located in the front for ease of servicing. Heater tank shall have a three year limited warranty as outlined in the written warranty. Fully illustrated instruction manual to be included.

FOR MORE INFORMATION, CONTACT: STATE WATER HEATERS 500 TENNESSEE WALTZ PARKWAY, ASHLAND CITY, TN 37015 800-365-0024 TOLL-FREE USA STATEWATERHEATERS.COM

<b>JOB:</b>	<b>REPRESENTATIVE:</b>	
<b>UNIT TAG:</b>	<b>ORDER NO.</b>	<b>DATE:</b>
<b>ENGINEER:</b>	<b>SUBMITTED BY:</b>	<b>DATE:</b>
<b>CONTRACTOR:</b>	<b>APPROVED BY:</b>	<b>DATE:</b>



## Lead-Free<sup>†</sup> Bronze and Stainless Steel Bodied System Lubricated Circulators



**DESCRIPTION**

A series of in-line wet rotor circulation pumps designed specifically for quiet operation in open (potable) water systems. These pumps have lead-free<sup>†</sup> bronze or stainless steel bodies. Automatic Timer and Aquastat accessories are available. (See Submittal A-128A for details).

**CONSTRUCTION MATERIALS**

Pump Body: Impeller: Noryl  
Shaft: Ceramic  
NBF: Lead-Free<sup>†</sup> Bronze  
SSF: Stainless Steel  
Bearings: Carbon

**OPERATING DATA**

Maximum Working Pressure: 150 psi (10.3 Bar)  
Minimum Operating Temperature: 40°F (5°C)  
Maximum Operating Temperature  
NBF-25, NBF-33, NBF-36, NBF-45: 225°F (107°C)  
All Others: 230°F (110°C)

<sup>†</sup>Contains less than 0.25% Lead content by weight on wetted surfaces.

MODEL NUMBER	PART NUMBER	CONNECTION	APPROX. SHPG. WT. Lbs. (Kg)	STANDART 60 CYCLE 115 VOLT SINGLE PHASE			TAGGING INFORMATION	QUANTITY
				WATTS	F.L. AMPS	RPM		
NBF-8S/LW	103257LF	1/2" Sweat	9.0 (4.1)	39	0.38	2800		
NBF-9U/LW	103258LF	Union (See Following Page)	9.3 (4.2)	41	0.40	2800		
SSF-9U/LW	103360LF	Union (See Following Page)	9.3 (4.2)	41	0.40	2800		
NBF-10S/LW	103259LF	1/2" Sweat	9.0 (4.1)	52	0.46	2800		
NBF-12U/LW	103261LF	Union (See Following Page)	9.3 (4.2)	55	0.48	2800		
SSF-12U/LW	103361LF	Union (See Following Page)	9.3 (4.2)	55	0.48	2800		
NBF-12F/LW	103260LF	Flange 3/4, 1, 1-1/4, 1-1/2	9.5 (4.3)	55	0.48	2800		
SSF-12F/LW	103358LF	Flange 3/4, 1, 1-1/4, 1-1/2	9.5 (4.3)	55	0.48	2800		
NBF-18S	103316LF	1/2" Sweat	9.0 (4.1)	90	0.74	3000		
NBF-22U	103255LF	Union (See Following Page)	9.3 (4.2)	92	0.80	2940		
SSF-22U	103362LF	Union (See Following Page)	9.3 (4.2)	92	0.80	2940		
NBF-22	103252LF	Flange 3/4, 1, 1-1/4, 1-1/2	9.5 (4.3)	92	0.80	2940		
SSF-22	103357LF	Flange 3/4, 1, 1-1/4, 1-1/2	9.5 (4.3)	92	0.80	2940		
NBF-25 <sup>†</sup>	103418LF	Flange 3/4, 1, 1-1/4, 1-1/2	10.4 (4.7)	125	1.10	2950		
NBF-33	103351LF	Flange 3/4, 1, 1-1/4, 1-1/2	10.4 (4.7)	125	1.10	2950		
NBF-36 <sup>†</sup>	103401LF	Flange 3/4, 1, 1-1/4, 1-1/2	13.1 (6.0)	270	2.30	3300		
NBF-45 <sup>†</sup>	103405LF	Flange 1, 1-1/4, 1-1/2	14.5 (6.6)	270	2.30	3300		

<sup>†</sup>3-speed circulators

**TYPICAL SPECIFICATIONS**

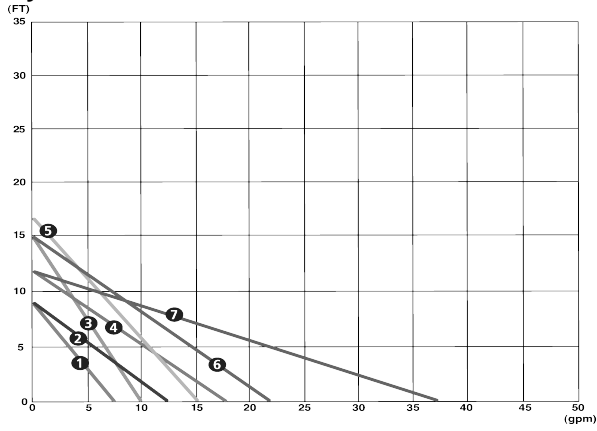
The contractor shall furnish and install in-line circulating pumps as illustrated on the plans and in accordance with the following specifications:

1. The pumps shall be of the horizontal system lubricated type specifically designed and guaranteed for quiet operation.
2. Pump to be suitable for \_\_\_\_°F (\_\_\_\_°C) [choose one: 225°F (107°C) for NBF-25, NBF-33, NBF-36, NBF-45 or 230°F (110°C) for all other circulators] operation at 150 psig (10.3 Bar) working pressure.
3. The pumps shall have a ceramic shaft supported by carbon bearings. Bearings are to be lubricated by the circulating fluid.

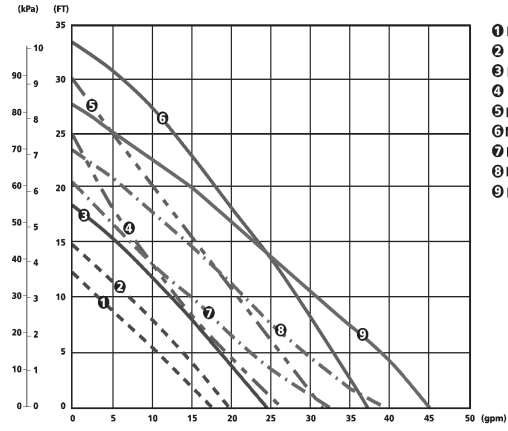
4. Pump body shall be lead-free bronze for NBF circulators or stainless steel for SSF circulators.
5. Motor stator to be isolated from circulating fluid through use of stainless steel can. Rotor to be sheathed in stainless steel.
6. Motors shall be non-overloading at any point on the pump curve. NBF-36 & NBF-45 to have built-in thermal protection. All other motors to have built-in impedance protection.
7. NBF-25 has an optional check valve.

Pumps to have a capacity of \_\_\_\_\_ GPM at \_\_\_\_\_ foot head when powered by 115 volt, 60 cycle single phase electrical supply.

All pumps are to be Xylem - Bell & Gossett Model \_\_\_\_\_.



- 1 NBF-8S/LW
- 2 NBF-9U/LW
- 3 SSF-9U/LW
- 4 NBF-10S/LW
- 5 NBF-12U/LW
- 6 SSF-12U/LW
- 7 NBF-12F/LW
- 8 NBF-18S
- 9 NBF-22
- 10 SSF-22
- 11 NBF-22U
- 12 SSF-22U
- 13 NBF-33

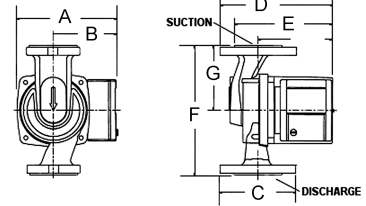
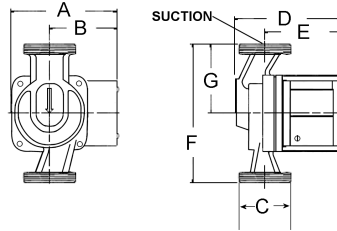
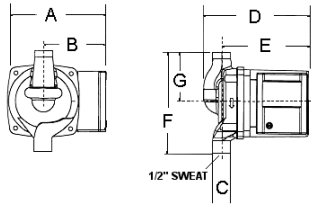
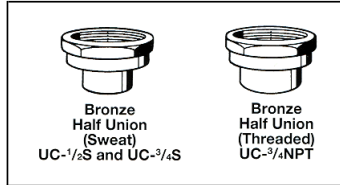


- 1 NBF-25 Speed 1
- 2 NBF-25 Speed 2
- 3 NBF-25 Speed 3
- 4 NBF-36 Speed 1
- 5 NBF-36 Speed 2
- 6 NBF-36 Speed 3
- 7 NBF-45 Speed 1
- 8 NBF-45 Speed 2
- 9 NBF-45 Speed 3

HALF UNION CONNECTIONS

For NBF-9U/LW, NBF-12U/LW, NBF-22U, SSF-9U/LW, SSF-12U/LW, SSF-22U

MODEL NUMBER	PART NUMBER	DESCRIPTION (SETS OF 2)
UC-1/2S	113203LF	1/2" Bronze Union Sweat
UC-3/4S	113201LF	3/4" Bronze Union Sweat
UC-3/4NPT	113202LF	3/4" Bronze Union NPT Female



MODEL	PART NUMBER	A in (mm)	B in (mm)	C in (mm)	D in (mm)	E in (mm)	F in (mm)	G in (mm)
NBF-8S/LW	103257LF	4-7/8 (124)	3-3/16 (81)	1/2 (13)	5-7/32 (132)	4-9/32 (109)	5 (127)	2-1/2 (63)
NBF-9U/LW	103258LF	4-7/8 (124)	3-3/16 (81)	1-1/4 (32)	5-1/16 (129)	3-11/16 (93)	6-1/8 (156)	3-1/16 (78)
SSF-9U/LW	103360LF	4-7/8 (124)	3-3/16 (81)	1-1/4 (32)	5-1/16 (129)	3-11/16 (93)	6-1/8 (156)	3-1/16 (78)
NBF-10S/LW	103259LF	4-7/8 (124)	3-3/16 (81)	1/2 (13)	5-7/32 (132)	4-9/32 (109)	5 (127)	2-1/2 (63)
NBF-12U/LW	103261LF	4-7/8 (124)	3-3/16 (81)	1-1/4 (32)	5-1/16 (129)	3-11/16 (93)	6-1/8 (156)	3-1/16 (81)
SSF-12U/LW	103361LF	4-7/8 (124)	3-3/16 (81)	1-1/4 (32)	5-1/16 (129)	3-11/16 (93)	6-1/8 (156)	3-1/16 (78)
NBF-12F/LW	103260LF	4-7/8 (124)	3-3/16 (81)	3-3/16 (81)	5-9/16 (141)	3-11/16 (93)	6-3/8 (162)	3-3/16 (82)
SSF-12F/LW	103358LF	4-7/8 (124)	3-3/16 (81)	3-3/16 (81)	5-9/16 (141)	3-11/16 (93)	6-3/8 (162)	3-3/16 (82)
NBF-18S	103316LF	4-7/8 (124)	3-3/16 (81)	1/2 (13)	5-7/32 (132)	4-9/32 (109)	5 (127)	2-1/2 (63)
NBF-22U	103255LF	4-7/8 (124)	3-3/16 (81)	1-1/4 (32)	5-1/16 (129)	3-11/16 (93)	6-1/8 (156)	3-1/16 (78)
SSF-22U	103362LF	4-7/8 (124)	3-3/16 (81)	1-1/4 (32)	5-1/16 (129)	3-11/16 (93)	6-1/8 (156)	3-1/16 (78)
NBF-22	103252LF	4-7/8 (124)	3-3/16 (81)	3-3/16 (81)	5-9/16 (141)	3-11/16 (93)	6-3/8 (162)	3-3/16 (82)
SSF-22	103357LF	4-7/8 (124)	3-3/16 (81)	3-3/16 (81)	5-9/16 (141)	3-11/16 (93)	6-3/8 (162)	3-3/16 (82)
NBF-25*	103418LF	5-1/8 (130)	3-3/16 (81)	3-3/16 (81)	6-3/16 (157)	4-7/8 (124)	6-3/8 (162)	2-1/2 (63)
NBF-33	103351LF	4-7/8 (124)	3-3/16 (81)	3-3/16 (81)	6-3/16 (157)	3-11/16 (94)	6-3/8 (162)	3-3/16 (82)
NBF-36*	103401LF	5-3/4 (146)	3-9/16 (91)	3-3/16 (81)	6-3/16 (157)	5-3/8 (137)	6-3/8 (162)	3-3/16 (82)
NBF-45*	103405LF	5-3/4 (146)	3-9/16 (91)	3-7/16 (87)	7-3/8 (187)	5-1/2 (140)	8-1/2 (216)	4-1/4 (108)

Dimensions are subject to change. Not to be used for construction purposes unless certified.

Companion Flanges Available in Sizes: 3/4", 1", 1-1/4", and 1-1/2"

\* 3-speed circulators

Xylem Inc.  
8200 N. Austin Avenue  
Morton Grove, IL 60053  
Phone: (847)966-3700  
Fax: (847)965-8379  
www.bellgosssett.com



# **EXPANSION TANKS**

## **FOR POTABLE WATER AND SPACE HEATING SYSTEMS**



### **Potable water expansion tanks for:**

- Residential water heaters
- Commercial water heaters
- Pressures to 150 PSI
- 2 gallon through 86 gallon

### **Hydronic Expansion tanks for:**

- Residential boilers
- Commercial boilers
- 2 gallon through 86 gallon



NSF International  
Listed Standard 61

D022652



# WATERGUARD™

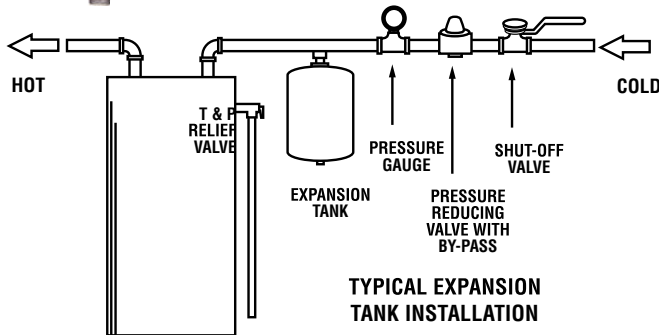
## WATER HEATER EXPANSION TANKS

Thermal expansion occurs when water is heated during non-use periods. The installation of a Pressure Reducing Valve (PRV), Check Valve or Back Flow Preventer “closes” the water system, leaving water with no room for expansion. Many local codes now require a closed system, to prevent backflow into the water main.

Thermal expansion in a closed plumbing system can be damaging, dangerous and costly. Its effects include damage to water heater connections, gas water heater flue tubes, pumps serving washers and dishwashers, leaking faucets, “weeping” of water through the water heater T&P Safety Valve, and noisy water hammer in the pipes.



A WaterGuard Expansion Tank eliminates these problems by giving water a place to go when thermal expansion occurs. When a water heating cycle ends, or when any fixture is opened within the system, the impact of thermal expansion is reduced and water drains out of the expansion tank back into the system.



Expansion tanks are pre-charged with a 40 PSI. **QTY: 3** If the inlet water pressure is higher than 40 PSI, the expansion tank's air pressure must be adjusted to match that pressure but must not be higher than 80 PSI.

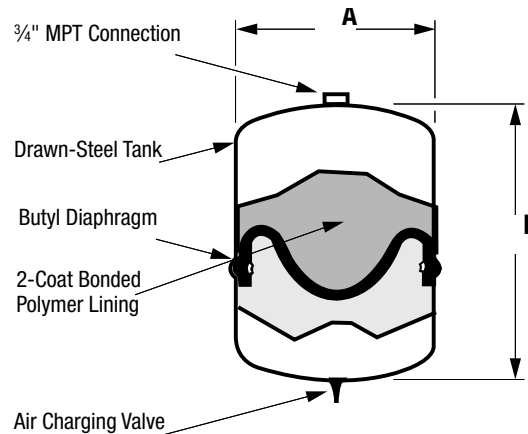


NSF International  
Listed Standard 61

D022652

**QTY: 1**

- For use with residential and commercial water heaters
- In-line design, with 3/4" MPT Connection: installs in cold water line of water heater
- Field-adjustable 40 PSI Air Charge
- Drawn-steel tank with 2-coat bonded polymer inner lining
- Butyl diaphragm, for permanent separation of air and water, with no waterlogging
- 2-Gallon (ETC-2X), 5-Gallon (ETC-5X) and 10-Gallon (ETC-10X)
- Maximum Working Pressure 150 PSI
- Maximum Temperature: 140°F Residential; 180°F Commercial
- IAPMO Approved
- 5-Year Limited Warranty
- NSF61 certified



### WaterGuard Water Heater Expansion Tanks

Model Number	Gallon Capacity	Maximum Acceptable Volume (Gallons)		Dimensions in Inches		Shipping Weight (Lbs.)
		40 PSI	60 PSI	A	B	
ETC-2X	1.96	1.27	1.03	8%	12½	5
ETC-5X	4.55	3.05	2.19	11%	14¾	8
ETC-10X	9.21	6.55	5.25	15%	15¾	20

All models: 150 PSIG Maximum Working Pressure

### WaterGuard Sizing Chart For Residential Water Heaters

Inlet Water Pressure*	Water Heater Capacity in Gallons					
	30	40	50	66	82	100
40 PSI	ETC-2X	ETC-2X	ETC-2X	ETC-2X	ETC-5X	ETC-5X
50 PSI	ETC-2X	ETC-2X	ETC-2X	ETC-2X	ETC-5X	ETC-5X
60 PSI	ETC-2X	ETC-2X	ETC-2X	ETC-2X	ETC-5X	ETC-5X
70 PSI	ETC-2X	ETC-2X	ETC-2X	ETC-5X	ETC-5X	ETC-5X
80 PSI	ETC-2X	ETC-2X	ETC-2X	ETC-5X	ETC-5X	ETC-5X

\*Highest recorded inlet water pressure in a 24-hour period of regulated water pressure.

### WaterGuard Sizing Chart For Commercial Water Heaters

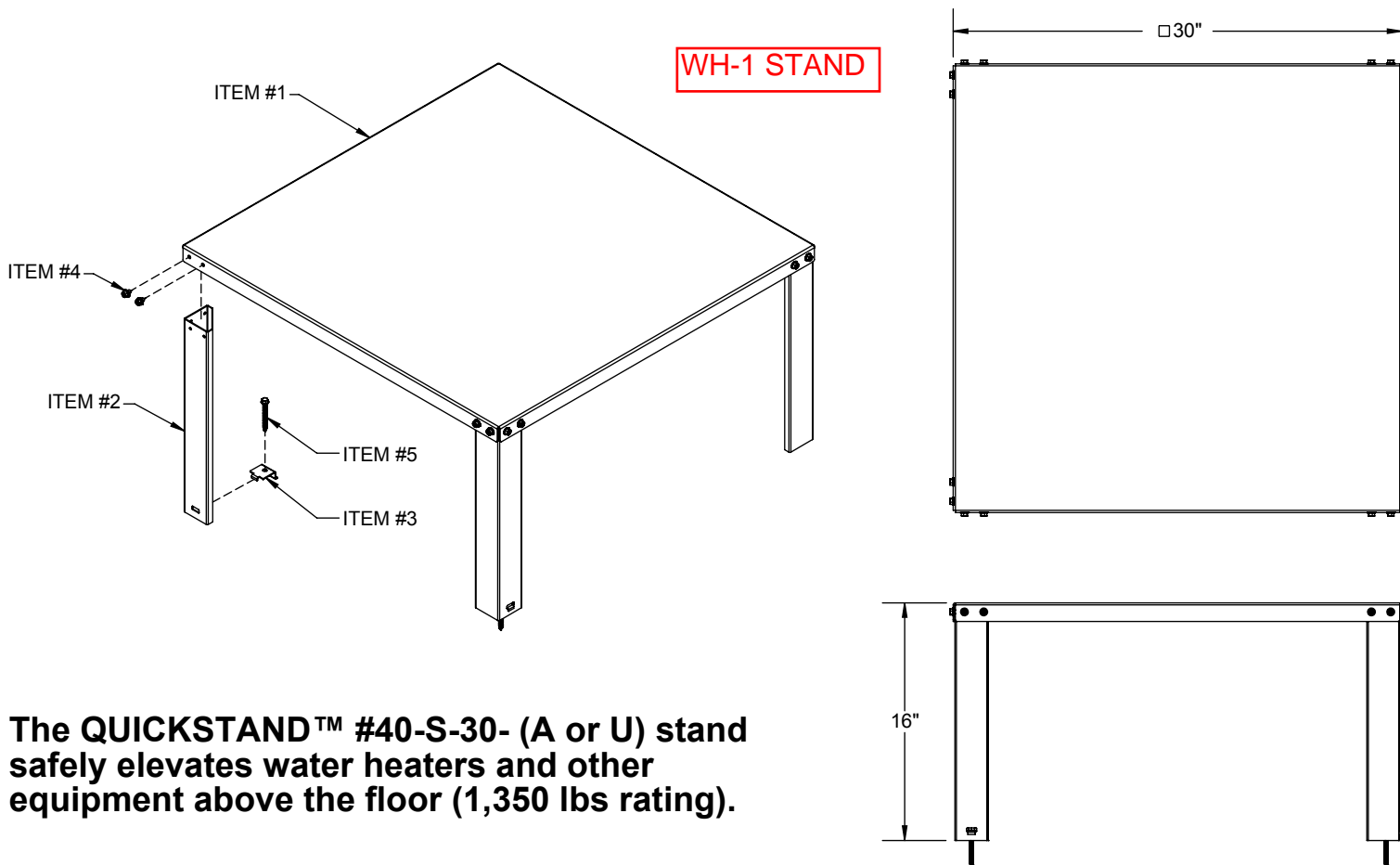
Water Temperature	Water Heater Capacity in Gallons						
	30	40	50	66	82	100	120
140°	ETC-2X	ETC-2X	ETC-5X	ETC-5X	ETC-5X	ETC-10X	ETC-10X
150°	ETC-2X	ETC-2X	ETC-5X	ETC-5X	ETC-5X	ETC-10X	ETC-10X
160°	ETC-5X	ETC-5X	ETC-5X	ETC-5X	ETC-5X	ETC-10X	ETC-10X
170°	ETC-5X	ETC-5X	ETC-10X	ETC-10X	ETC-10X	ETC-10X	ETC-10X
180°	ETC-5X	ETC-5X	ETC-10X	ETC-10X	ETC-10X	ETC-10X	ETC-10X



# PRODUCT SPECIFICATION DRAWING

## QUICKSTAND™ 30" X 30" (Water Heater & Equipment Support)

### #40-S-30-A (assembled) and #40-S-30-U (unassembled)



**The QUICKSTAND™ #40-S-30- (A or U) stand safely elevates water heaters and other equipment above the floor (1,350 lbs rating).**

#### Product Information:

- **Material:**
  - Item #1: Top, 12 gage CRS, galvanized
  - Item #2: Leg, 16 gage CRS, galvanized, 4 places
  - Item #3: Safety Clip, 14 gage CRS, galvanized, 2 places
  - Item #4: SMS, Phillips Hex Head Washer, w/Serrated Under Head, #1/4-14 X 1/2"L, 16 places
  - Item #5: Lag Bolt, #1/4-10 X 2-1/2"L, self-drilling, 2 places  
(items #3 and #5 included with product)
- Engineered and lab tested to meet Uniform Plumbing Code (UPC) and International Plumbing Code (IPC) requirements, including elevation of water heater's ignition source 18" above the floor
- Holds up to 1,350 pounds (typical 100 to 120 U.S. gallons)
- QUICKSTAND™ weight 36 pounds without packaging
- Available in assembled and unassembled configurations

ALL DIMENSIONS IN INCHES

THIS INFORMATION IS PROPRIETARY TO HOLDRITE AND IS SUBJECT TO CHANGE WITHOUT NOTICE. IT MAY NOT BE REPRODUCED IN PART OR WHOLE WITHOUT WRITTEN AUTHORIZATION.

# HOLDRITE®

CONVERTING MAKE-SHIFT MET-OBS INTO ENGINEERED SOLUTIONS™

800-321-0316 OR 760-744-6944 / FAX: 760-744-0507 / WWW.HOLDRITE.COM  
spec\_40-S-30\_RevE

Product Submittal	
Job Name:	
Date:	
Part Number:	Qty:
Architect / Owner:	
Contractor:	
Notes:	

# Point of Use “Non-Thermostatic”

WH-5

## Specifications

Electric Tankless Hot Water Heater

Single Point and Flow Controlled (Designed for cold water feed only)

### Applications

- Hand washing (0.35-2.0 GPM)
- Kitchen/bar/utility sinks
- Manufacturing facilities
- Hand set shower (0.7-2.0 GPM)
- Dual handwash sinks (DL option)
- Modular buildings and tenant spaces

### Performance Features

- On demand hot water. Flow switch activates heater only on demand (no standby heat loss). 99% efficient
- Endless hot water – no storage capacity to run out
- Easy installation. No T&P relief valve needed (check local codes). Only one cold water line need be brought to installation, mounts on wall
- High temperature limit switch with automatic reset
- Optional flow restricting aerator (for EX-DL models) ensures proper temperature rise. Standard with SP models
- Prevents Legionella bacteria growth
- Reduces calcification, liming and sedimentation
- Complies with handicap ADA physical installation requirements
- Ni Chrome element – a unique, patented flow path ensures optimum heat transfer and extended element life
- Warranty – Heaters, against failure due to leaks of “Heater Body/Element Assembly”, five (5) years – Parts, one (1) year

### Product Specifications

<b>Dimensions:</b>	10.75" x 5.25" x 2.78"
<b>Weight:</b>	4 lbs.
<b>Cover:</b>	ABS UL rated 94V0.
<b>Color:</b>	White
<b>Element:</b>	Replaceable cartridge insert
<b>Fittings:</b>	SP – 3/8" compression fitting at top of unit EX – 1/2" (5/8" OD) compression fitting at bottom of unit
<b>Operating Pressure:</b>	Min. 25 PSI, max. 150 PSI
<b>UL listed file number:</b>	E86887

U.S. Patent #'s: 4,762,980 and 4,960,976

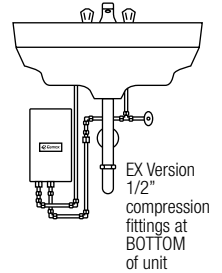
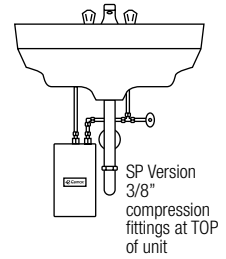
### Special Design Service

Inquiries for units for unique applications are welcome. Call our Technical Service department at **1-800-543-6163**.



Pictured, EX: Bottom Water Connections

U.S. Patent #'s: 4,762,980 and 4,960,976



Series 1  
Single Point and  
Flow Controlled



The wetted surface of this product contacted by water contains less than 0.25% lead and meets ANSI/NSF 372



### Suggested Specification

Tankless water heater shall be an Eemax Non-Thermostatic model number \_\_\_\_\_.

Unit shall have ABS-UL 94V0 rated cover. Element shall be replaceable cartridge insert. Unit shall have replaceable filter in the inlet connector. Element shall be iron free, nickel chrome material. Water heater to be supplied with compression fittings. EX models will have 1/2 fittings on the bottom of unit, SP units to have 3/8" fittings on the top of unit. Maximum operating pressure of 150 PSI. Hot water storage tanks prohibited. Unit shall be Eemax or approved equal. NOTE: Refer to rating chart for product information.

Specification options available on EX models:

- \_\_\_ **DL** Dual Lavs- supplied with two faucet aerators
- \_\_\_ **SL** Single Lav – supplied with 3/8" compression fittings (0.5 or 1.0 GPM aerator included).
- \_\_\_ **N4** NEMA 4 waterproof cabinet w/powder coat finish
- \_\_\_ **N4X** NEMA 4 stainless steel waterproof corrosion-resistant cabinet

# Point of Use “Non-Thermostatic”

Single Point and Flow Controlled (Designed for cold water feed only)

## Specifications

Electric Tankless Hot Water Heater

Series 1  
Single Point and  
Flow Controlled

MODEL NUMBER	KW	AMPS	TURN ON (GPM)	RECOMMENDED WIRE SIZE (CU)	TEMPERATURE RISE °F			
					0.5 GPM	0.75 GPM	1.0 GPM	1.5 GPM
<b>VOLTS 120</b>								
C SP2412†	2.4kW	20A	0.3	12 AWG	33°	—	—	—
C EX2412	2.4kW	20A	0.3	12 AWG	33°	—	—	—
C SP3012†	3.0kW	25A	0.3	10 AWG	41°	—	—	—
C EX3012	3.0kW	25A	0.3	10 AWG	41°	—	—	—
C SP3512†	3.5kW	29A	0.3	10 AWG	48°	—	—	—
C EX3512	3.5kW	29A	0.3	10 AWG	48°	—	—	—
<b>VOLTS 208 Single Phase</b>								
C SP3208†	3.0kW	15A	0.3	14 AWG	41°	—	—	—
C EX3208	3.0kW	15A	0.3	14 AWG	41°	—	—	—
C SP4208†	4.1kW	20A	0.3	12 AWG	56°	—	—	—
C EX4208	4.1kW	20A	0.3	12 AWG	56°	—	—	—
C SP8208†	8.3kW	40A	0.7	8 AWG	—	76°	57°	38°
C SP8208 DL†	8.3kW	40A	0.7	8 AWG	—	76°	57°	38°
C EX8208	8.3kW	40A	0.7	8 AWG	—	76°	57°	38°
C EX8208 DL	8.3kW	40A	0.7	8 AWG	—	76°	57°	38°
<b>VOLTS 240*</b>								
C SP35†	3.5kW	15A	0.3	14 AWG	48°	32°	24°	16°
C SP35† (derated 208V perf.)	2.7kW	13A	0.3	*	37°	24°	18°	15°
C EX35	3.5kW	15A	0.3	14 AWG	48°	32°	24°	16°
C EX35 (derated 208V perf.)	2.7kW	13A	0.3	*	37°	24°	18°	15°
C EX35 SL	3.5kW	15A	0.3	14 AWG	48°	32°	24°	16°
C SP48†	4.8kW	20A	0.5	12 AWG	64°	42°	31°	21°
C SP48† (derated 208V perf.)	3.6kW	17A	0.5	*	49°	33°	25°	16°
C SP48 DL	4.8kW	20A	0.5	12 AWG	64°	42°	31°	21°
C EX48	4.8kW	20A	0.5	12 AWG	64°	42°	31°	21°
C EX48 (derated 208V perf.)	3.6kW	17A	0.5	*	49°	33°	25°	16°
C EX48 SL	4.8kW	20A	0.5	12 AWG	64°	42°	31°	21°
C EX48 DL	4.8kW	20A	0.5	12 AWG	64°	42°	31°	21°
C SP55†	5.5kW	23A	0.5	10 AWG	75°	50°	38°	25°
C SP55† (derated 208V perf.)	4.1kW	20A	0.5	*	56°	38°	28°	19°
C SP55 DL†	5.5kW	23A	0.5	10 AWG	75°	50°	38°	25°
C EX55	5.5kW	23A	0.5	10 AWG	75°	50°	38°	25°
C EX55 (derated 208V perf.)	4.1kW	20A	0.5	*	56°	38°	28°	19°
C EX55 DL	5.5kW	23A	0.5	10 AWG	75°	50°	38°	25°
C EX55 SL	5.5kW	23A	0.5	10 AWG	75°	50°	38°	25°
C SP65†	6.5kW	27A	0.7	10 AWG	—	59°	44°	30°
C SP65† (derated 208V perf.)	4.9kW	24A	0.7	*	66°	44°	33°	22°
C SP65 DL†	6.5kW	27A	0.7	10 AWG	—	59°	44°	30°
C EX65	6.5kW	27A	0.7	10 AWG	—	59°	44°	30°
C EX65 (derated 208V perf.)	4.9kW	24A	0.7	*	66°	44°	33°	22°
C EX65 DL	6.5kW	27A	0.7	10 AWG	—	59°	44°	30°
C EX65 SL	6.5kW	27A	0.7	10 AWG	—	59°	44°	30°
C SP75†	7.5kW	32A	0.7	8 AWG	—	68°	51°	34°
C SP75† (derated 208V perf.)	5.6kW	27A	0.7	*	77°	51°	38°	26°
C SP75 DL†	7.5kW	32A	0.7	8 AWG	—	68°	51°	34°
C EX75	7.5kW	32A	0.7	8 AWG	—	68°	51°	34°
C EX75 (derated 208V perf.)	5.6kW	27A	0.7	*	77°	51°	38°	26°
C EX75 DL	7.5kW	32A	0.7	8 AWG	—	68°	51°	34°
C EX75 SL	7.5kW	32A	0.7	8 AWG	—	68°	51°	34°
C SP95†	9.5kW	40A	0.7	8 AWG	—	87°	65°	43°
C SP95† (derated 208V perf.)	7kW	34A	0.7	*	95°	64°	48°	32°
C SP95 DL†	9.5kW	40A	0.7	8 AWG	—	87°	65°	43°
C EX95	9.5kW	40A	0.7	8 AWG	—	87°	65°	43°
C EX95 (derated 208V perf.)	7kW	34A	0.7	*	95°	64°	48°	32°
C EX95 DL	9.5kW	40A	0.7	8 AWG	—	87°	65°	43°
C EX95 SL	9.5kW	40A	0.7	8 AWG	—	87°	65°	43°

\* 240V units can be used on 208V single phase with 25% reduced temperature output. Please note per UL standards the rating plate and installation instructions will all be according to a 240V applied voltage. Check with local officials prior to derating the electrical infrastructure.

† 3/8" compression fittings at top of unit

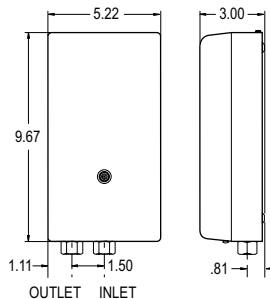
“C” indicates evaluation and compliance to either Underwriters Laboratories (UL) or Intertek (ETL) under CAN/CSA-C22.2 No. 64/No. 88.

MODEL NUMBER	KW	AMPS	TURN ON (GPM)	RECOMMENDED WIRE SIZE (CU)	TEMPERATURE RISE °F			
					0.5 GPM	0.75 GPM	1.0 GPM	1.5 GPM
<b>VOLTS 277</b>								
SP3277†	3.0kW	11A	0.3	14 AWG	41°	—	—	—
EX3277	3.0kW	11A	0.3	14 AWG	41°	—	—	—
SP4277†	4.1kW	14.8A	0.3	14 AWG	56°	37°	28°	19°
EX4277	4.1kW	14.8A	0.3	14 AWG	56°	37°	28°	19°
SP60†	6.0kW	22A	0.7	10 AWG	—	55°	41°	27°
SP60 DL†	6.0kW	22A	0.7	10 AWG	—	55°	41°	27°
EX60	6.0kW	22A	0.7	10 AWG	—	55°	41°	27°
EX60 SL	6.0kW	22A	0.7	10 AWG	—	55°	41°	27°
EX60 DL	6.0kW	22A	0.7	10 AWG	—	55°	41°	27°
SP80†	8.0kW	29A	0.7	10 AWG	—	73°	55°	36°
SP80 DL†	8.0kW	29A	0.7	10 AWG	—	73°	55°	36°
EX80	8.0kW	29A	0.7	10 AWG	—	73°	55°	36°
EX80 SL	8.0kW	29A	0.7	10 AWG	—	73°	55°	36°
EX80 DL	8.0kW	29A	0.7	10 AWG	—	73°	55°	36°
SP90†	9.0kW	33A	0.7	8 AWG	—	82°	61°	41°
SP90 DL†	9.0kW	33A	0.7	8 AWG	—	82°	61°	41°
EX90	9.0kW	33A	0.7	8 AWG	—	82°	61°	41°
EX90 SL	9.0kW	33A	0.7	8 AWG	—	82°	61°	41°
EX90 DL	9.0kW	33A	0.7	8 AWG	—	82°	61°	41°
SP100†	10kW	36A	0.7	8 AWG	—	91°	68°	46°
SP100 DL†	10kW	36A	0.7	8 AWG	—	91°	68°	46°
EX100	10kW	36A	0.7	8 AWG	—	91°	68°	46°
EX100 SL	10kW	36A	0.7	8 AWG	—	91°	68°	46°
EX100 DL	10kW	36A	0.7	8 AWG	—	91°	68°	46°

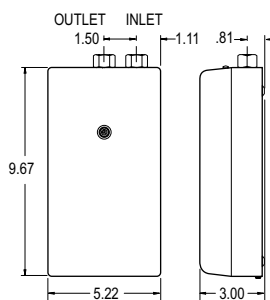
### Suffix Definitions

- DL Dual Lavs – Two faucet aerators provided
- SL Single Lav – 3/8" compression connections

“EX”

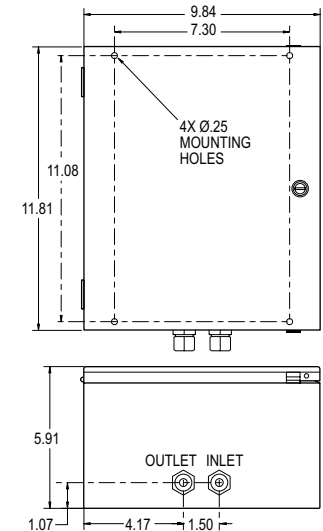


“SP”



NEMA 4/4X

For EX version only. NEMA cabinets not available for SP version.





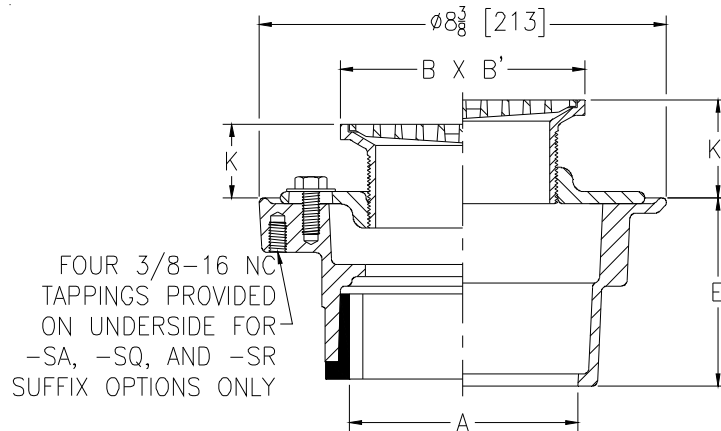
**Z415S**  
**BODY ASSEMBLY W/ "TYPE S" STRAINER**

**FD** **QTY:7**

**SPECIFICATION SHEET**

**TAG** \_\_\_\_\_

Dimensional Data (inches and [ mm ]) are Subject to Manufacturing Tolerances and Change Without Notice



Dimensions in Inches [ mm ]						Approx. Wt. Lbs. [ kg ]	Strainer Open Area Sq. In. [ cm <sup>2</sup> ]
A Pipe Size	B x B' Strainer Top Size	K		K'			
		Min.	Max.	Min.	Max.		
2,3 [51,76]	5 x 5 [127 x 127]	1 [25]	1-19/32 [40]	1-1/4 [32]	2-3/8 [60]	12 [5]	9 [58]
2,3,4 [51,76,102]	6 x 6 [152 x 152]	1 [25]	1-27/32 [47]	1-13/32 [36]	2-19/32 [66]	13 [6]	13 [84]
2,3,4 [51,76,102]	7 x 7 [178 x 178]	1 [25]	1-7/8 [48]	1-3/8 [35]	2-5/8 [67]	14 [6]	21 [135]
3,4 [76,102]	8 x 8 [203 x 203]	1-3/32 [28]	1-7/8 [48]	1-3/4 [44]	2-5/8 [67]	15 [7]	28 [181]
6 [152]	9 x 9 [229 x 229]	1-3/32 [28]	1-7/8 [48]	1-3/4 [44]	2-5/8 [67]	19 [9]	28 [181]
6 [152]	10 x 10 [254 x 254]	1-3/32 [28]	1-7/8 [48]	1-3/4 [44]	2-5/8 [67]	21 [10]	28 [181]

**ENGINEERING SPECIFICATION: ZURNZN415S**

Floor and shower drain, Dura-Coated cast iron body with bottom outlet, combination invertible membrane clamp and adjustable collar with seepage slots and "TYPE S" polished nickel bronze, square heel-proof, light-duty strainer.

**OPTIONS** (Check/specify appropriate options)

**PIPE SIZE**

- 2,3,4 [51,76,102]
- 2,3,4 [51,76,102]
- 2 [51]
- 3 [76]
- 4 [102]
- 6 [152]
- 2,3,4 [51,76,102]
- 2,3,4 [51,76,102]

(Specify size/type) **OUTLET**

- \_\_\_\_\_ IC Inside Caulk
- \_\_\_\_\_ IG Inside Gasket
- \_\_\_\_\_ IP Threaded
- \_\_\_\_\_ IP Threaded
- \_\_\_\_\_ IP Threaded
- \_\_\_\_\_ IP Threaded
- \_\_\_\_\_ NH No-Hub
- \_\_\_\_\_ NL Neo-Loc

**'E' BODY HT. DIM.**

- 4-3/16 [106]
- 4-3/16 [106]
- 2-7/16 [62]
- 2-3/4 [70]
- 2-13/16 [71]
- 2-7/8 [73]
- 3-13/16 [97]
- 3-7/8 [98]

**PREFIXES**

- \_\_\_\_\_ ZB D.C.C.I. Body Assembly w/ Polished Bronze Top
- \_\_\_\_\_ ZN D.C.C.I. Body Assembly w/ Polished Nickel Bronze Top\*

**SUFFIXES**

- \_\_\_\_\_ -AR Acid Resisting Epoxy Coated Cast Iron
- \_\_\_\_\_ -CP Chrome-Plated Top
- \_\_\_\_\_ -DP Decorative Polished Top
- \_\_\_\_\_ -EF 3/8 [10] Extension Frame
- \_\_\_\_\_ -G Galvanized Cast Iron
- \_\_\_\_\_ -HD Heavy-Duty Grate (ZN 6x6 [152x152] Only)
- \_\_\_\_\_ -OF Oval Funnel (Z329-7 (6-10 [152-254] strainers only)
- \_\_\_\_\_ -P Trap Primer Connection (Specify 1/2 [13] or 3/4 [19])
- \_\_\_\_\_ -PC Protective Cover
- \_\_\_\_\_ -PD Prom-Deck Top (8 x 8 [203 x 203] Only)
- \_\_\_\_\_ -SA Stabilizer Assembly (See Z1035)
- \_\_\_\_\_ -SQ Stabilizer Q-Deck (See Z1035-Q)
- \_\_\_\_\_ -SR Stabilizer Ring
- \_\_\_\_\_ -TC Neo-Loc Test Cap Gasket (2 [51] - 4 [102] NL Outlet Only)
- \_\_\_\_\_ -U 1 - 3 [25 - 76] High Extension Adapter
- \_\_\_\_\_ -V Backwater Valve
- \_\_\_\_\_ -VP Vandal-Proof Secured Top
- \_\_\_\_\_ -Y Sediment Bucket
- \_\_\_\_\_ -4 4 [102] Diameter Funnel (Z328)
- \_\_\_\_\_ -18 Leveling Ring (See Z400-18)
- \_\_\_\_\_ -90 90° Threaded Side Outlet Body Assembly (2 [51], 3 [76] Only)

\* Regularly furnished unless otherwise specified.

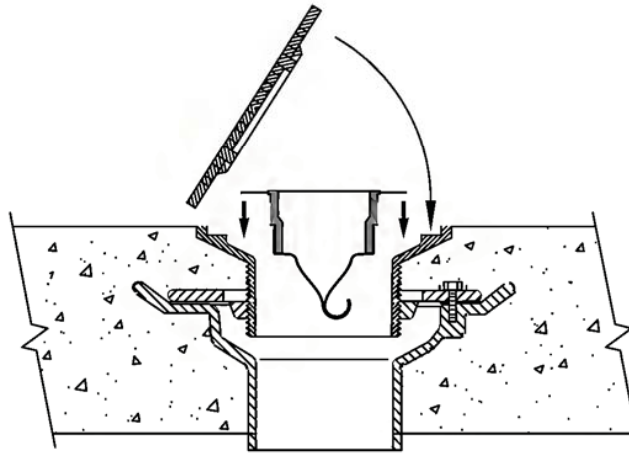
# TRAP GUARD INSERT FOR EXISTING DRAINS

CAN BE USED ABOVE OR BELOW GROUND FLOOR

**FD & HD TRAP GUARD**

**QTY:12**

TRAP GUARD INSERT FITTING FITS  
ZURN Z-415 TAILPIECE DRAIN



PART NO. TG33-ZURN 3" INSERT FITS INSIDE Z-415 DRAINS

FOR TRAP GUARDS INSERTING INTO GASKET CONNECTED DRAINS, SEE DRAWING TG-23-G

## IMPORTANT NOTES :

1. This Trap Guard insert can be installed into any Zurn # 415 drain tops to prevent sewer gas emission.
2. The extra wide flange needs to have an adhesive type caulk installed around the bottom edge.
3. Most Z415 tailpieces have 4 protrusions inside the 3-1/2" opening so the seal must be made around the edge of the TG flange. Make sure inside of tailpiece is clean.

If the trap guard device should get damaged or impaired in any way, the device can be easily removed by using a sharp screw driver under the flange.

Note: Care should be taken not to touch the elastomeric flexible material with the primer.



NO FIRE RATINGS ARE  
REQUIRED FOR UNDERGROUND  
PIPING OR OPENINGS



**PROSET**<sup>®</sup>  
**SYSTEMS**  
FIRESTOP PENETRATOR™

DATE :	9-02-03
DRG . NO .	TG-33-Z



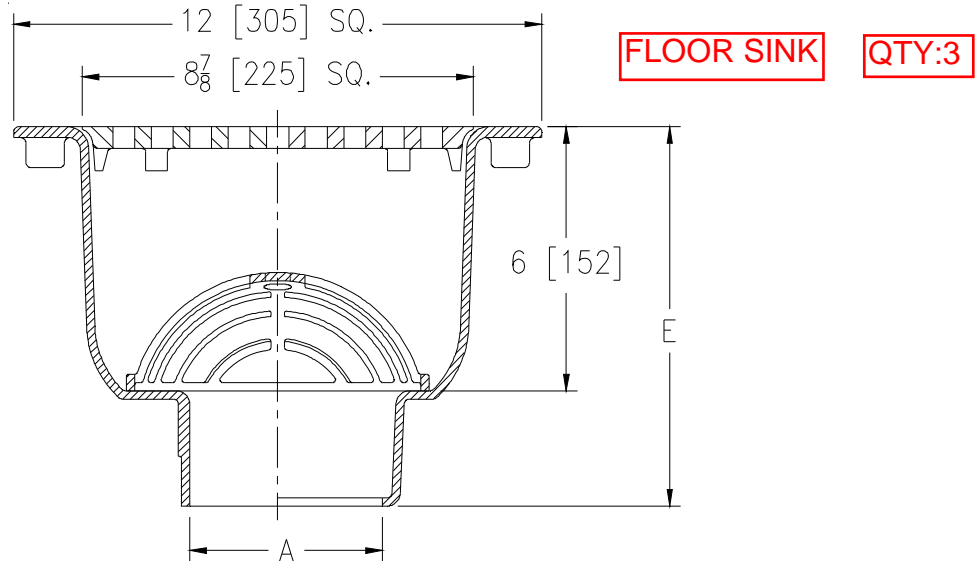
# Z1900

## 12 x 12 [305 x 305] A.R.E. SANI-FLOOR RECEPTOR 6 [152] SUMP DEPTH

SPECIFICATION SHEET

TAG \_\_\_\_\_

Dimensional Data (inches and [ mm ]) are Subject to Manufacturing Tolerances and Change Without Notice



A Pipe Size In.	Approx Wt. Lbs. [kg]	Grate Open Area Sq. In. [cm <sup>2</sup> ]
2-3-4 [51-76-102]	32 [15]	31 [200]

### ENGINEERING SPECIFICATION: ZURN Z1900

Sani-Floor Receptor 12 x 12 x 6 [305 x 305 x 152] deep cast iron body and square, light-duty grate with 1/2 [13] slotted openings, white acid resisting porcelain enamel interior and top, complete with white ABS anti-splash interior bottom dome strainer.

**OPTIONS** (Check/specify appropriate options)

#### PIPE SIZE

- 2-3-4 [51-76-102]
- 2-3-4 [51-76-102]
- 2-3-4 [51-76-102]

(Specify size/type) **OUTLET**

- \_\_\_ IC Inside Caulk
- NH No-Hub
- \_\_\_ NL Neo-Loc

#### 'E' BODY HT. DIMENSION

Z	ZN / ZS
8-5/8 [219]	9-1/8 [232]
8-5/8 [219]	9-1/8 [232]
8 [203]	8-1/2 [216]

#### PREFIXES

- \_\_\_ Z Cast Iron Body with White A.R.E. Interior\*
- \_\_\_ ZN Cast Iron Body with White A.R.E. Interior, 12-1/2 [317] Square N.B. Frame and Full Grate with 1/2 [13] Openings (Add 1/2 [13] to 12 [305] Dim.)
- \_\_\_ ZS Cast Iron Body with White A.R.E. Interior, 12-1/2 [317] Square Stainless Steel Frame and Full Grate with 1/2 [13] Openings (Add 1/2 [13] to 12 [305] Dim.)

#### SUFFIXES

- \_\_\_ -DX Dex-O-Tex Flange (ZN Only)
- \_\_\_ -HD Stainless Steel Frame w/ X-Heavy Duty Stainless Steel Grate (ZS Only)
- \_\_\_ -HP Heel-Proof Grate (ZN Only)
- \_\_\_ -K Anchor Flange
- \_\_\_ -KC Anchor Flange with Seepage Holes and Clamp Collar
- \_\_\_ -LD (Less) Bottom Dome Strainer
- \_\_\_ -P 1/2 [13] Trap Primer Connection (See Z1023)
- \_\_\_ -SA Stabilizer Assembly (See Z1903)
- \_\_\_ -TC Neo-Loc Test Cap Gasket (2-4 [51-102] NL Bottom Outlet Only)
- \_\_\_ -VPS Vandal-Proof Strainer
- \_\_\_ -1 (Less) Grate
- \_\_\_ -2 1/2 Grate
- \_\_\_ -3 3/4 Grate
- \_\_\_ -4 Full Grate w/ Center Opening (2 [51] Dia. for Z) and (3-1/32 [77] Square for ZN & ZS)
- \_\_\_ -5 Grate w/ 4 [102] Dia. x 3-3/4 [95] High Funnel
- \_\_\_ -6 Grate w/ 6 [152] Dia. x 6 [152] High Funnel
- \_\_\_ -7 Grate w/ 6-3/4 x 3 x 1 [171 x 76 x 25] High Oval Funnel
- \_\_\_ -8 Grate w/ 8-7/8 x 3-5/8 x 3-3/4 [225 x 92 x 95] High Oval Funnel
- \_\_\_ -9 Angle Frame and Grate (ZN Only)
- \_\_\_ -11 Vandal-Proof Secured Top (ZN & ZS Only)
- \_\_\_ -12 Depressed Aluminum Grate (ZN Only)
- \_\_\_ -15 Solid Loose Set Cover (Z & ZN Only)
- \_\_\_ -16 1/2 Solid Loose Set Cover (Z & ZN Only)
- \_\_\_ -17 3/4 Solid Loose Set Cover (Z & ZN Only)
- \_\_\_ -18 Solid Loose Set Cover w/ Center Opening (2-1/4 [57] Square for Z Only) and (3 [76] Square for ZN Only)
- \_\_\_ -19 Full Hinged Grate (ZN Only)
- \_\_\_ -23 Aluminum Bucket
- \_\_\_ -25 White A.R.C. Bucket
- \_\_\_ -31 Stainless Steel Mesh Liner for Bucket
- \_\_\_ -32 Aluminum Dome Strainer
- \_\_\_ -33 White A.R.C. Anti-Splash Bottom Dome Strainer
- \_\_\_ -34 N.B. Anti-Splash Bottom Dome Strainer

\*REGULARLY FURNISHED UNLESS OTHERWISE SPECIFIED

REV. L DATE: 9/20/11 C.N. NO. 122166

DWG. NO. 59341

PRODUCT NO. Z1900

ZURN INDUSTRIES, LLC. ♦ SPECIFICATION DRAINAGE OPERATION ♦ 1801 Pittsburgh Ave. ♦ Erie, PA 16514

Phone: 814/455-0921 ♦ Fax: 814/454-7929 ♦ World Wide Web: www.zurn.com

In Canada: ZURN INDUSTRIES LIMITED ♦ 3544 Nashua Drive ♦ Mississauga, Ontario L4V1L2 ♦ Phone: 905/405-8272 Fax: 905/405-1292







# Z1700 SHOKTROL WATER HAMMER ARRESTOR

Dimensional Data (inches and [ mm ]) are Subject to Manufacturing Tolerances and Change Without Notice

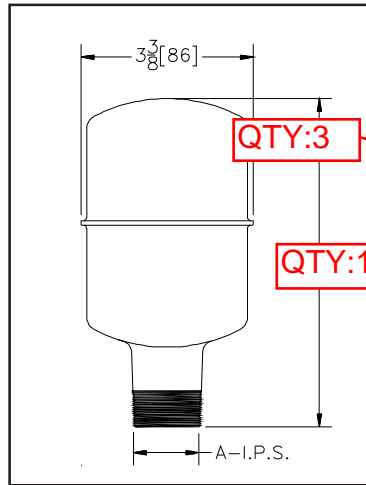
Zurn SHOKTROLS provide complete protection against water hammer in common pipe diameters for varying pipe lengths wherever flow velocity is subject to sudden change - in quick closing, solenoid-actuated valves used with lavatories and sinks, dishwashers, and residential automatic washers; in improperly adjusted water closet flush valves; in pumping systems, and in drinking fountains or similar installations where water flow is valved for intermittent operation.

Each SHOKTROL has its shock-absorbing air cushion hermetically sealed within the unit. Consequently, there is no loss of air from the SHOKTROL due to leakage past worn elastomeric sealing surfaces nor due to permeation through elastomeric features. In addition, the SHOKTROL's 18-8 stainless steel construction makes it virtually immune to attack and degradation by high levels of chloramine and other common waterborne chemicals which quickly degrade elastomeric components.

Approved by:



Zurn SHOKTROLS should always be installed in an upright position on a horizontal run of piping.



Size	Dimensions in Inches [mm]		Approx. Wt. Lbs. [kg]
	A	C	
100	3/4 [19]	3-1/2 [90]	1 [.5]
200	3/4 [19]	3-1/2 [90]	1-1/2 [.7]
300	1 [25]	4-1/2 [114]	1-3/4 [.8]
400	1 [25]	6-5/8 [168]	2-3/4 [1.2]
500	1 [25]	7-1/2 [191]	3-1/4 [1.5]
600	1 [25]	8-1/2 [216]	3-3/4 [1.7]

### Pressure and Temperature Requirements

Max. Working Pressure: 125 psi  
 Max. Static Pressure: 250 psi  
 Max. Temperature: 300 F

### SIZING AND LOCATION

When a unit of equipment is located at the remote end of a long run of piping, the Zurn SHOKTROL should be placed as close to the point of valve closure as possible. At this location, the SHOKTROL will control any developed energy and prevent shock waves from surging through the piping system (Illus. 1). Properly sized SHOKTROLS should be selected for such installations using Tables 1-A and 1-B below.

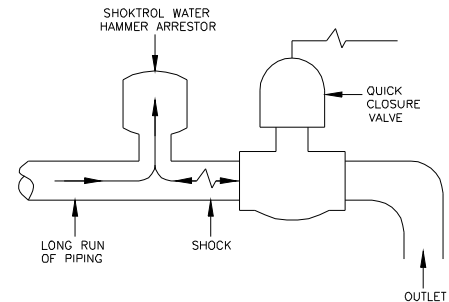


ILLUSTRATION 1: REMOTE INSTALLATIONS

Table 1-A. For Pressure Up To 65 psig

Length of Pipe	Z1700 Series Zurn Shoktrol Water Hammer Arrestors Nominal Pipe Diameters					
	1/2"	3/4"	1"	1-1/4"	1-1/2"	2"
25	One #100	One #100	One #200	One #300	One #400	One #500
50	One #100	One #200	One #300	One #400	One #500	One #600
75	One #200	One #300	One #400	One #100 & One #500	One #600	One #500 & One #600
100	One #300	One #400	One #500	One #600	One #300 & One #600	Two #600
125	One #300	One #400	One #600	One #100 & One #600	One #500 & One #600	One #500 & Two #600
150	One #400	One #500	One #600	One #400 & One #600	Two #600	Three #600

For further sizing information, see "Plumbing & Drainage Institute Standard WH-201."

Table 1-B. For Pressure 65 psig to 85 psig

Length of Pipe	Z1700 Series Zurn Shoktrol Water Hammer Arrestors Nominal Pipe Diameters					
	1/2"	3/4"	1"	1-1/4"	1-1/2"	2"
25	One #200	One #200	One #300	One #400	One #500	One #600
50	One #200	One #300	One #400	One #500	One #600	One #300 & One #600
75	One #300	One #400	One #500	One #600	One #300 & One #600	Two #600
100	One #400	One #500	One #600	One #300 & One #600	One #500 & One #600	One #500 & Two #600
125	One #400	One #500	One #300 & One #600	One #400 & One #600	Two #600	One #200 & Three #600
150	One #500	One #600	One #300 & One #600	Two #600	One #400 & Two #600	Four #600

For further sizing information, see "Plumbing & Drainage Institute Standard WH-201."

\* Regularly furnished unless otherwise specified.



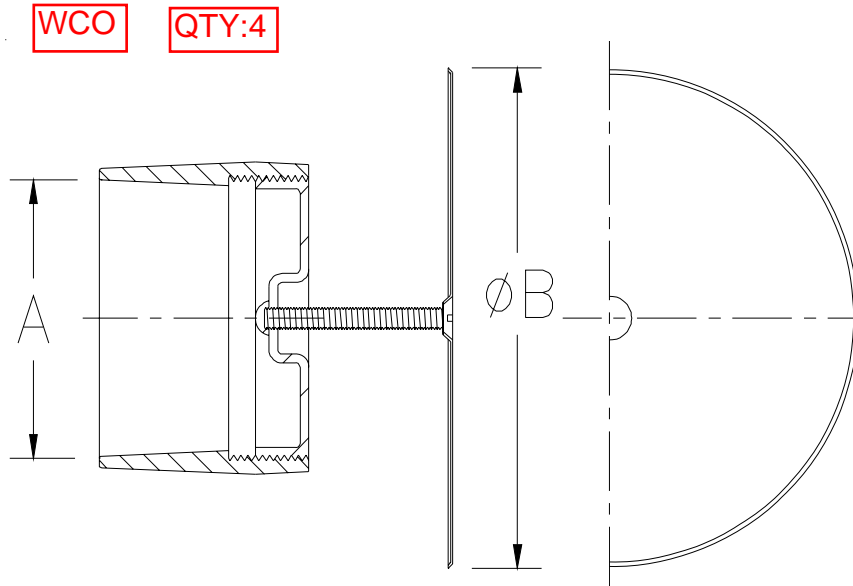
# Z1441

SPECIFICATION SHEET

## WALL CLEANOUT W/ SMOOTH ACCESS COVER

TAG \_\_\_\_\_

Dimensional Data (inches and [ mm ]) are Subject to Manufacturing Tolerances and Change Without Notice



Dimensions In Inches		Approx. Wt. Lbs. [kg]
A-Pipe Size	B	
2 [51]	5 [127]	4 [2]
3 [76]	5 [127]	5 [2]
4 [102]	7 [178]	7 [3]
5 [127]	7 [178]	8 [4]
6 [152]	9 [229]	9 [4]
8 [203]	11 [279]	12 [5]

**ENGINEERING SPECIFICATION: ZURN Z1441**

Wall Cleanout, Dura-Coated cast iron body, gas and watertight ABS tapered thread plug, and round, smooth stainless steel access cover with securing screw.

**OPTIONS** (Check/specify appropriate options)

**PIPE SIZE**

2 thru 6-8 [51 thru 152-203]

(Specify size) **OUTLET**

\_\_\_\_\_ NH No-Hub

**PREFIXES**

- \_\_\_\_\_ Z Dura-Coated Cast Iron Body with Stainless Steel Cover\*
- \_\_\_\_\_ ZB D.C.C.I. Body with Polished Bronze Cover

**SUFFIXES**

- \_\_\_\_\_ -A Raised Head Plug
- \_\_\_\_\_ -BP Bronze Plug
- \_\_\_\_\_ -G Galvanized Cast Iron
- \_\_\_\_\_ -SL Screw Longer Than 3-1/2 [89]
- \_\_\_\_\_ -VP Vandal-Proof Secured Top

REV. D	DATE: 11/03/10	C.N. NO. 120232
DWG. NO. 58763	PRODUCT NO. Z1441	

\*REGULARLY FURNISHED UNLESS OTHERWISE SPECIFIED