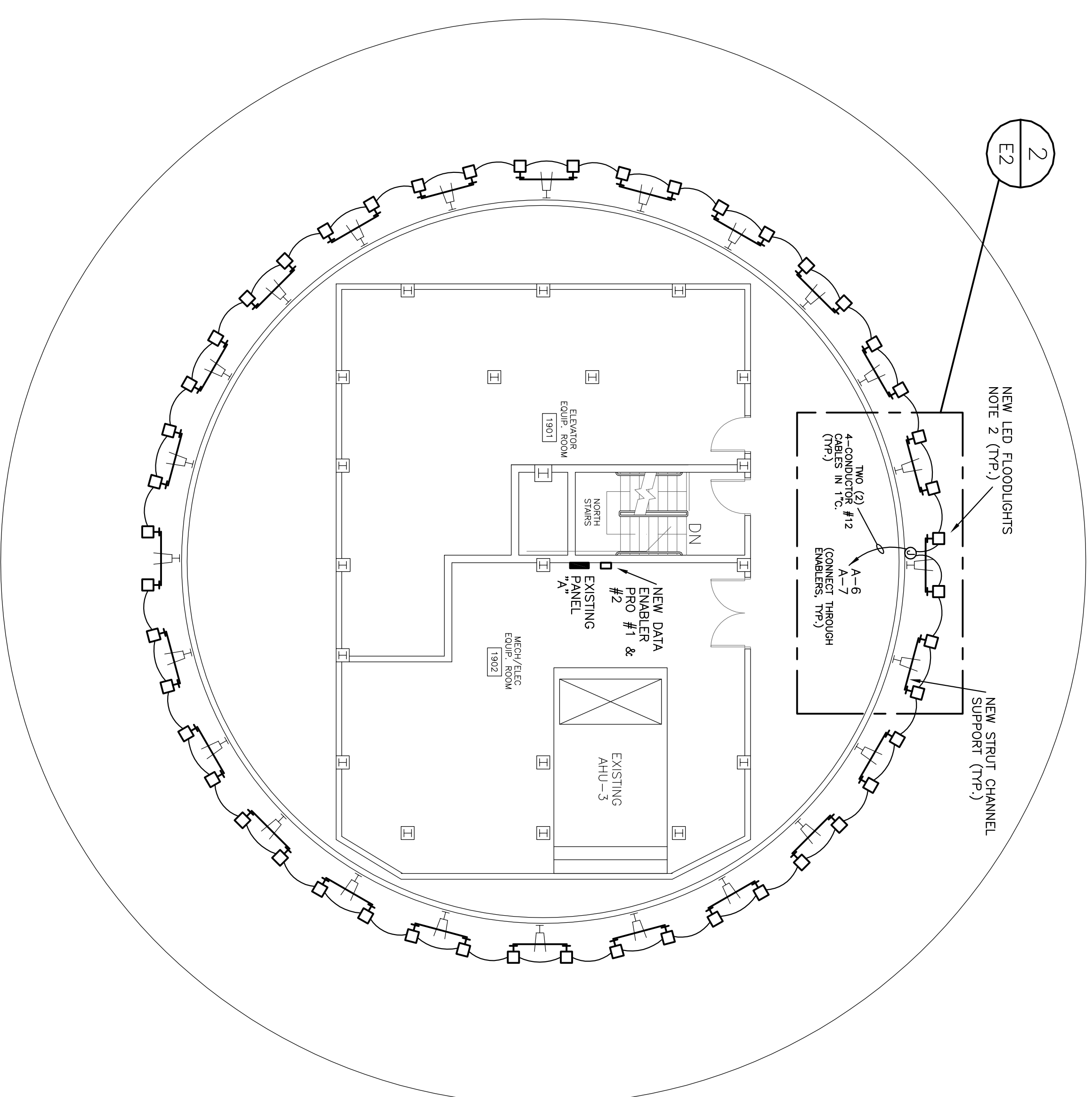
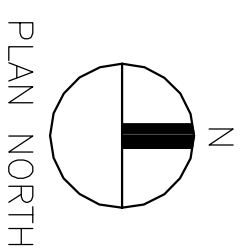


**1** ROOF/PENTHOUSE LIGHTING DEMOLITION PLAN  
 SCALE: 1/8"=1'-0"

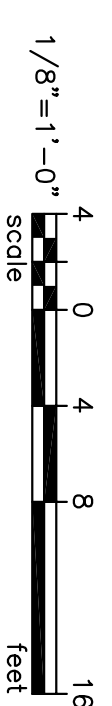
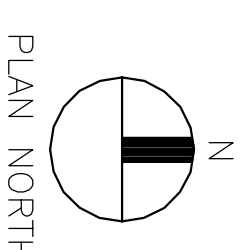
ELECTRICAL NOTES	
1.	REMOVE EXISTING FLOODLIGHTS AND TURN OVER TO OWNER AS DIRECTED. REMOVE ALL EXISTING ASSOCIATED CONDUCTORS. REMOVE CONDUITS. CONDUITS SHALL NOT BE REUSED. EXISTING CIRCUIT BREAKERS (A-6 AND A-7), AS PER AS-BUILT DRAWINGS) SHALL BE REUSED TO FEED LED FLOODLIGHTS SHOWN ON RENOVATION PLAN.
2.	PROVIDE MOUNTING STRUT CHANNEL SUPPORTS (SEE MOUNTING DETAIL ON DRAWING E-2) AND INSTALL OWNER-FURNISHED RGB LED FLOODLIGHTS. PROVIDE CONDUCTORS, CABLES, AND CONDUITS TO FEED THESE FLOODLIGHTS PER WIRING DETAIL ON DRAWING E-2 AND MAKE ALL CONNECTIONS PER MANUFACTURER'S INSTRUCTIONS.
3.	EXISTING TIME CLOCK CONTROLLING EXISTING FLOODLIGHTS SHALL BE REMOVED AND OWNER TO FURNISH REPLACEMENT ELECTRICAL CONTROLLER. FLOODLIGHTS WILL BE CONTROLLED BY TIME SCHEDULE FUNCTION IN LIGHTING CONTROLLER.



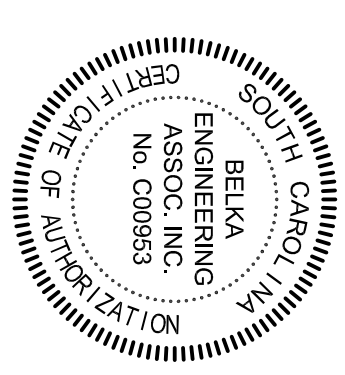
**2** ROOF/PENTHOUSE LIGHTING RENOVATION PLAN  
 SCALE: 1/8"=1'-0"

SCOPE OF WORK SCHEDULE	
NEW LIGHT FIXTURES (TRIM & LENS)	OWNER FURNISHED, CONTRACTOR INSTALLED AND CONNECTED.
LIGHT FIXTURE SUPPORTS	CONTRACTOR PROVIDED.
NEW CONTROLLER & ENABLERS	OWNER FURNISHED, CONTRACTOR INSTALLED AND CONNECTED.
ALL CABLES, RACEWAYS, AND BOXES	CONTRACTOR PROVIDED. (EXISTING RACEWAYS AND BOXES SHALL NOT BE REUSED).
PROGRAMMING	OWNER PROVIDED; PERFORMED BY MANUFACTURER'S TECHNICIAN (CONTRACTOR SHALL COORDINATE SCHEDULING WITH INSTALL IS COMPLETE).

ALL CONTRACTOR WORK LISTED ABOVE SHALL BE INSPECTED BY MANUFACTURER'S TECHNICIAN AND ANY ADJUSTMENTS/CORRECTIONS SHALL BE IMMEDIATELY ADDRESSED BY CONTRACTOR.



ELECTRICAL DRAWING INDEX	
E1	ELECTRICAL PLANS
E2	ELECTRICAL DETAILS



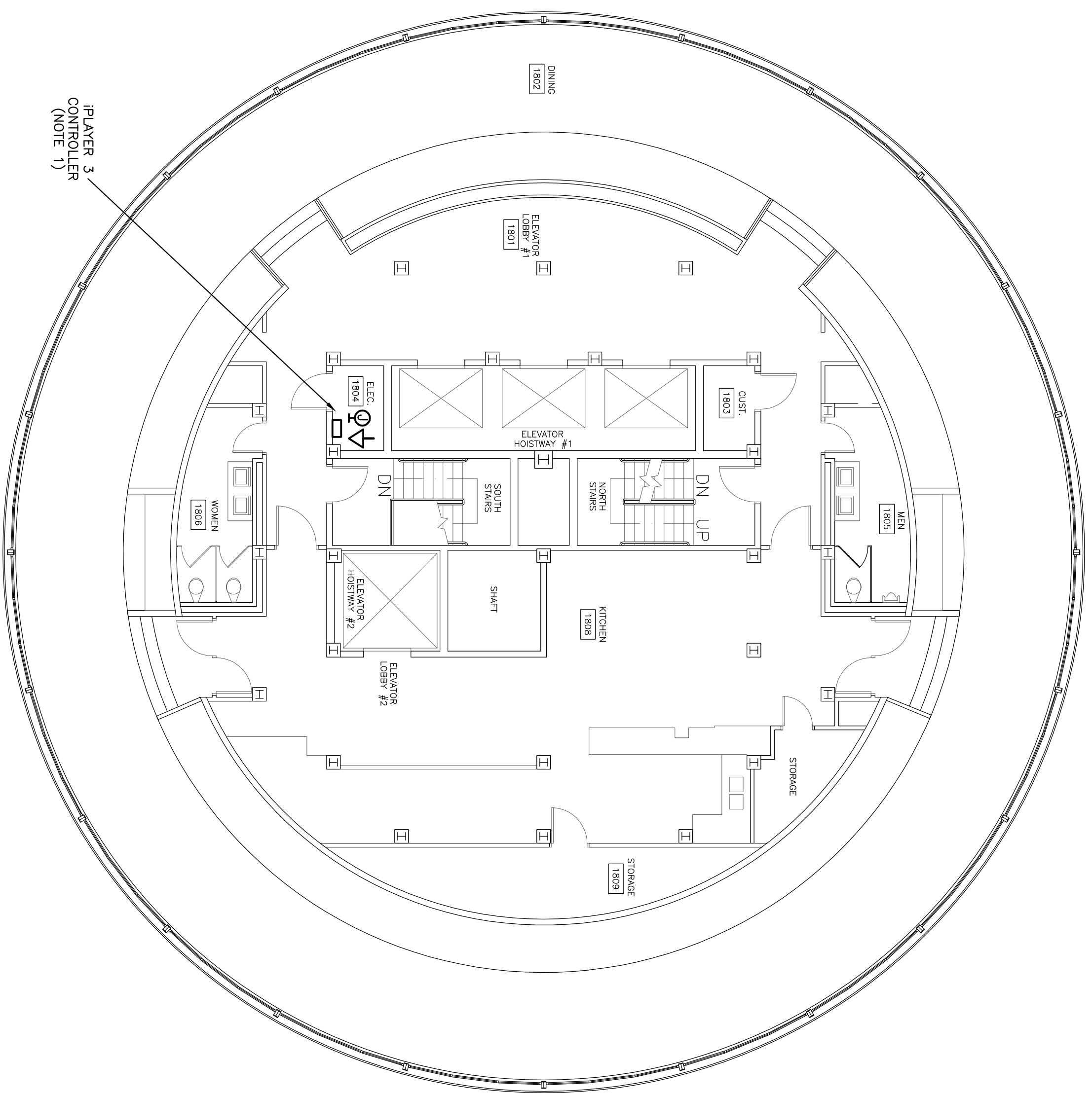
US21501

**BEKA** ENGINEERING ASSOCIATES INC.

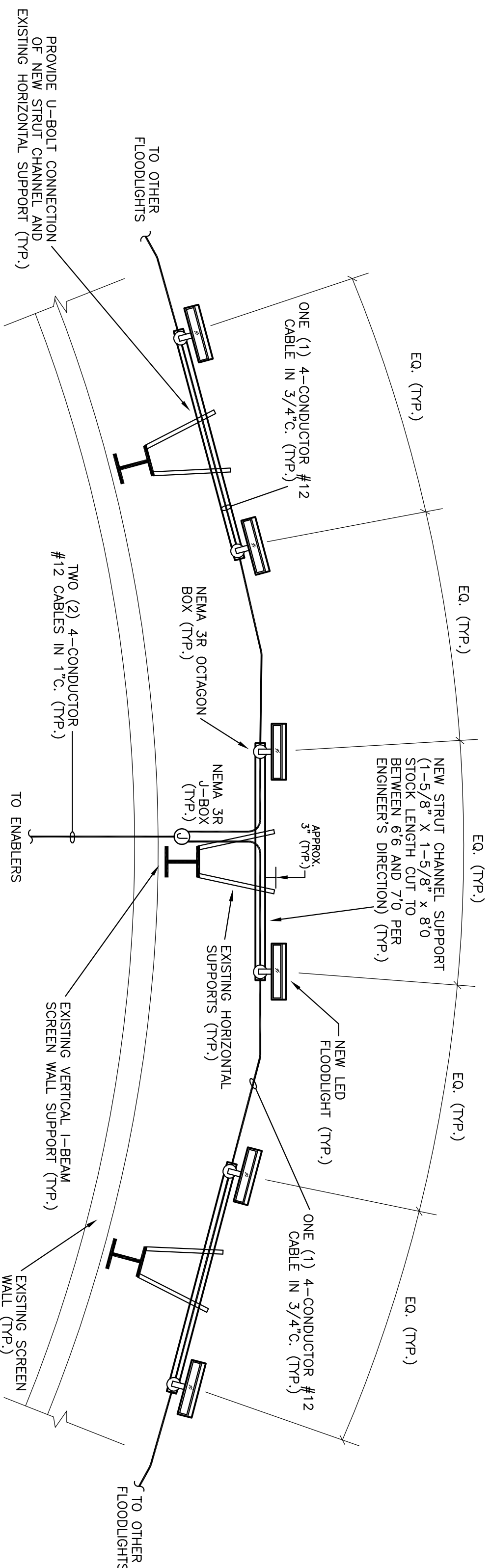
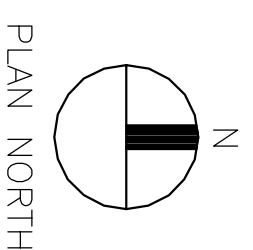
CONTACT: CLIFF STRINGFIELD

7 CLUSTERS COURT, SUITE 201 | COLUMBIA, SC | 29210  
 (803) 731-4550 p | (803) 731-2800 f  
 Cstringfield@beka-engineering.com

PROJECT TITLE: <b>MONUMENTAL LIGHTING PROJECT CAPSTONE</b> 	BUILDING: 039 REV:	DRAWING: CP00423045 DESCRIPTION:	DATE: 01JUL16	DRAWN BY: CES DATE:	CHECKED BY: CES ORIG. BY/DRAWN BY:	SEAL:	<b>CAMPUS PLANNING AND CONSTRUCTION</b> COLUMBIA, SC 29208
	SHEET: 1 OF 2 1 OP 2 1 OP 2	UNIVERSITY OF SOUTH CAROLINA					

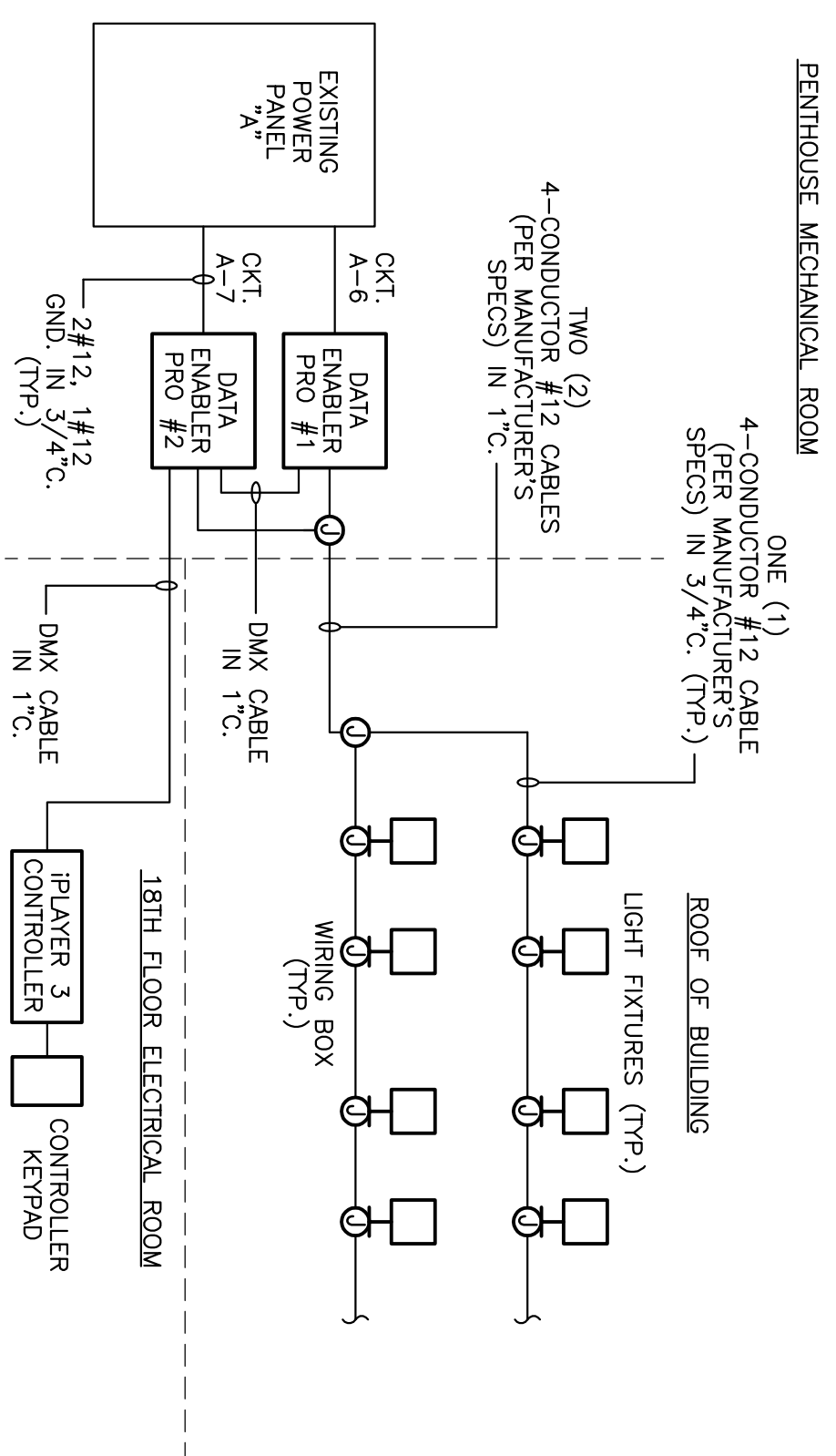


**1** EIGHTEENTH FLOOR ELECTRICAL PLAN  
 E2 SCALE: 1/8"=1'-0"



**2** LIGHTING MOUNTING DETAIL  
 E2 NOT TO SCALE

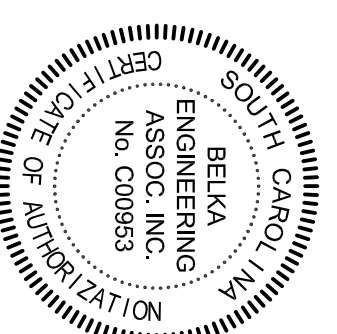
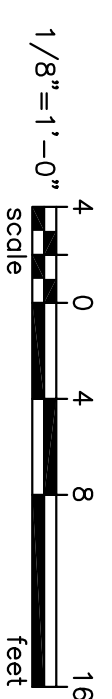
NOTE: CONTRACTOR SHALL MOCK UP THESE 6 FIXTURES AND HAVE OWNER'S REPRESENTATIVE AND ENGINEER OBSERVE BEFORE CONTINUING COMPLETE INSTALLATION.



**3** LIGHTING CONTROL DIAGRAM  
 E2 NOT TO SCALE

ELECTRICAL NOTES

1. LOCATE CONTROLLER IN 18TH FLOOR ELECTRICAL ROOM AND PROVIDE 120V POWER AND DATA CONNECTION. COORDINATE EXACT LOCATION WITH EXISTING EQUIPMENT. 120V POWER SHALL BE FED FROM 120/208V PANEL IN SAME ELECTRICAL ROOM.



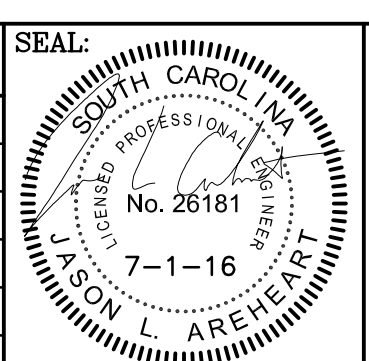
**BEKA** ENGINEERING ASSOCIATES INC.  
 CONTACT: CLIFF STRINGFIELD  
 7 CLUSTERS COURT, SUITE 201 | COLUMBIA, SC 29210  
 (803) 731-4550 P | (803) 731-2800 F  
 Cstringfield@beka-engineering.com

US21501

PROJECT TITLE: MONUMENTAL LIGHTING PROJECT CAPSTONE



BUILDING:	DRAWING:	DATE:	DRAWN BY:	CHECKED BY:
039	CP00423045	01JUL16	CES	CES
REV.	DESCRIPTION		DATE	ORIG. BY / DRAWN BY



CAMPUS PLANNING AND CONSTRUCTION  
 COLUMBIA, SC 29208

US21501  
 SHEET: E2  
 2 OF 2  
 SHEET IN SET: 2 OF 2