

THIS DRAWING AND THE DESIGN SHOWN THEREON ARE PROPERTY OF STUDIO 2LR, INC. THE REPRODUCTION, COPYING, OR OTHER USE OF THIS DRAWING WITHOUT WRITTEN CONSENT OF STUDIO 2LR, INC. IS PROHIBITED AND INFRINGEMENTS WILL BE SUBJECT TO LEGAL ACTION.

# USC DM12 LONGSTREET THEATRE EXTERIOR REPAIRS SHUTTER REPLACEMENT

1300 GREENE STREET COLUMBIA, SOUTH CAROLINA 29208

LOCAL MAP  
NOT TO SCALE

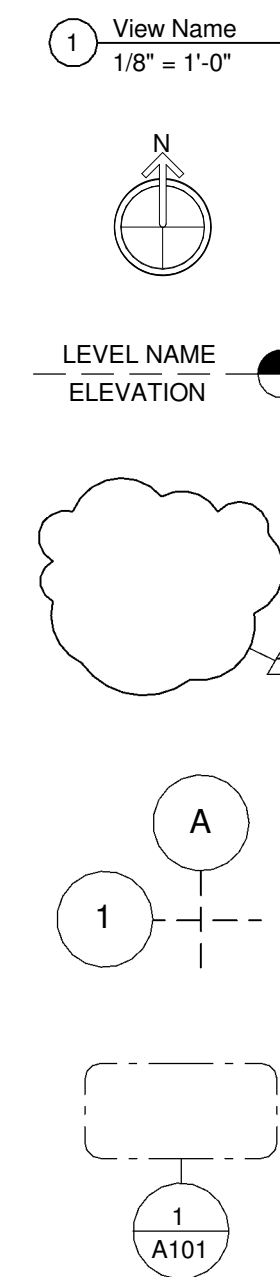


## ABBREVIATIONS

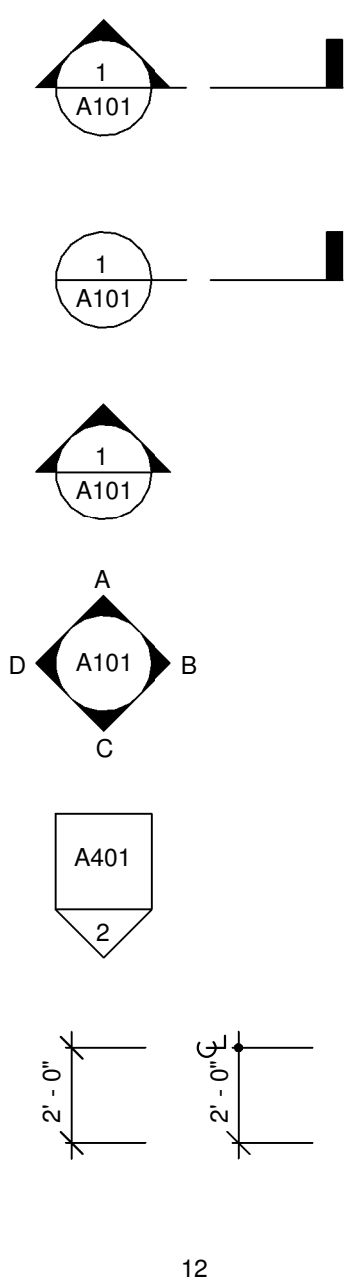
#	POUND OR NUMBER	F.O.	FACE OF
&	AND	GA.	GAUGE
@	AT	GALV.	GALVANIZED
A.C.T.	ACOUSTICAL CEILING TILE	GYP.	GYP.
A.F.F.	ABOVE FINISHED FLOOR	GYP. BRD.	GYP. BRD.
ALUM.	ALUMINUM	H.	HIGH
ANOD.	ANODIZED	H.M.	HOLLOW METAL
APPROX.	APPROXIMATE	H.V.A.C.	HEATING, VENTILATION, AND AIR CONDITIONING
B.O.	BOTTOM OF	INSUL.	INSULATION
C.I.P.	CAST IN PLACE	MAX.	MAXIMUM
C.J.	CONTROL JOINT	M.O.	MASONRY OPENING
CLG.	CEILING	MECH.	MECHANICAL
CLR.	CLEAR	MIN.	MINIMUM
CMU	CONCRETE MASONRY UNIT	MTL.	METAL
COL.	COLUMN	NOT IN CONTRACT	NOT IN CONTRACT
CONC.	CONCRETE	NO.	NUMBER
CONT.	CONTINUOUS	NOM.	NOMINAL
CPT.	CARPET	O.C.	ON CENTER
C.T.	CERAMIC TILE	O.H.	OVERHEAD
DEMO	DEMOLISH	OPP. HAND	OPPOSITE HAND
DIA.	DIAMETER	PLYWD.	PLYWOOD
DIM.	DIMENSION	P.T.	PRESSURE TREATED
DIMS.	DIMENSIONS	PVC	POLYVINYL CHLORIDE
DN.	DOWN	R.C.P.	REFLECTED CEILING PLAN
DR.	DOOR	R.D.	ROOF DRAIN
DWG.	DRAWING	REQD.	REQUIRED
EA.	EACH	RM.	ROOM
ELEC.	ELECTRICAL	SIM.	SIMILAR
ELEV.	ELEVATION OR ELEVATOR	SS	STAINLESS STEEL
EPDM	ETHYLENE PROPYLENE DIENE M-CLASS (ROOFING)	STL.	STEEL
EQ.	EQUAL	STRUCT.	STRUCTURAL
EXIST.	EXISTING	T&G	TONGUE AND GROOVE
EXP. JT.	EXPANSION JOINT	TELE.	TELEPHONE
EXT.	EXTERIOR	TLT.	TOILET
E.W.C.	ELECTRIC WATER COOLER	T.O.	TOP OF
F.D.	FLOOR DRAIN	T.O.S.	TOP OF STEEL
F.E.	FIRE EXTINGUISHER	TYP.	TYPICAL
F.E.C.	FIRE EXTINGUISHER CABINET	U.O.N.	UNLESS OTHERWISE NOTED
FLR.	FLOOR	V.I.F.	VERIFY IN FIELD
		W/	WITH
		WD.	WOOD

## DRAWING CONVENTIONS

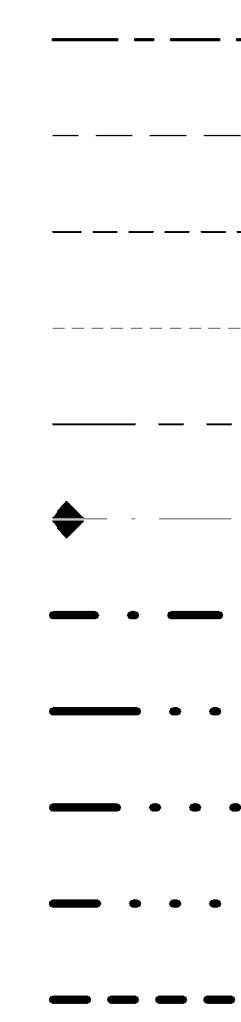
### IDENTITY SYMBOLS



### REFERENCE SYMBOLS



### LINE SYMBOLS



DRAWING LIST	
SHEET NO.	Sheet Name
GENERAL	
CVR	COVER SHEET
ARCHITECTURAL	
A001	EXISTING PHOTOS
A400	ELEVATIONS
A401	ELEVATIONS

STUDIO 2LR, INC.  
801 GERVAIS ST., SUITE 201  
COLUMBIA, SOUTH CAROLINA 29201  
P. 803.233.6602 F. 802.233.6613  
STUDIO2LR.COM

STUDIO 2LR | ARCHITECTURE + INTERIORS

CLIENT NAME  
UNIVERSITY OF SOUTH CAROLINA  
PROJECT NAME  
USC LONGSTREET THEATRE  
SHUTTER REPLACEMENT  
LOCATION  
1300 GREENE STREET, COLUMBIA, SC

ISSUED FOR BIDDING JANUARY 9, 2015

REVISIONS		
NO.	DATE	DESCRIPTION

USC PROJECT # CP00366430  
STATE PROJECT # H27-6100  
PROJECT NUMBER **14066**  
SHEET NUMBER  
**CVR**  
SHEET NAME  
COVER SHEET  
DATE **01/09/15**

09/20/14 10:28:24 AM



THIS DRAWING AND THE DESIGN SHOWN THEREON ARE PROPERTY OF STUDIO 2LR, INC. THE REPRODUCTION, COPYING, OR OTHER USE OF THIS DRAWING WITHOUT WRITTEN CONSENT OF STUDIO 2LR, INC. IS PROHIBITED AND INFRINGEMENTS WILL BE SUBJECT TO LEGAL ACTION.



EXISTING SOUTH SIDE ELEVATION (NORTH SIDE SIMILAR, OPPOSITE HAND)



TYPICAL EXISTING SHUTTER ELEVATION



EXISTING OPERABLE SHUTTER ELEVATION



EXISTING WALL SET BACK

STUDIO 2LR, INC.  
801 GERVAIS ST. SUITE 201  
COLUMBIA, SOUTH CAROLINA 29201  
P. 803.233.6602 F. 802.233.6613  
STUDIO2LR.COM

STUDIO 2LR | ARCHITECTURE + INTERIORS

CLIENT NAME  
UNIVERSITY OF SOUTH CAROLINA  
PROJECT NAME  
USC LONGSTREET THEATRE  
SHUTTER REPLACEMENT  
LOCATION  
1300 GREENE STREET, COLUMBIA, SC

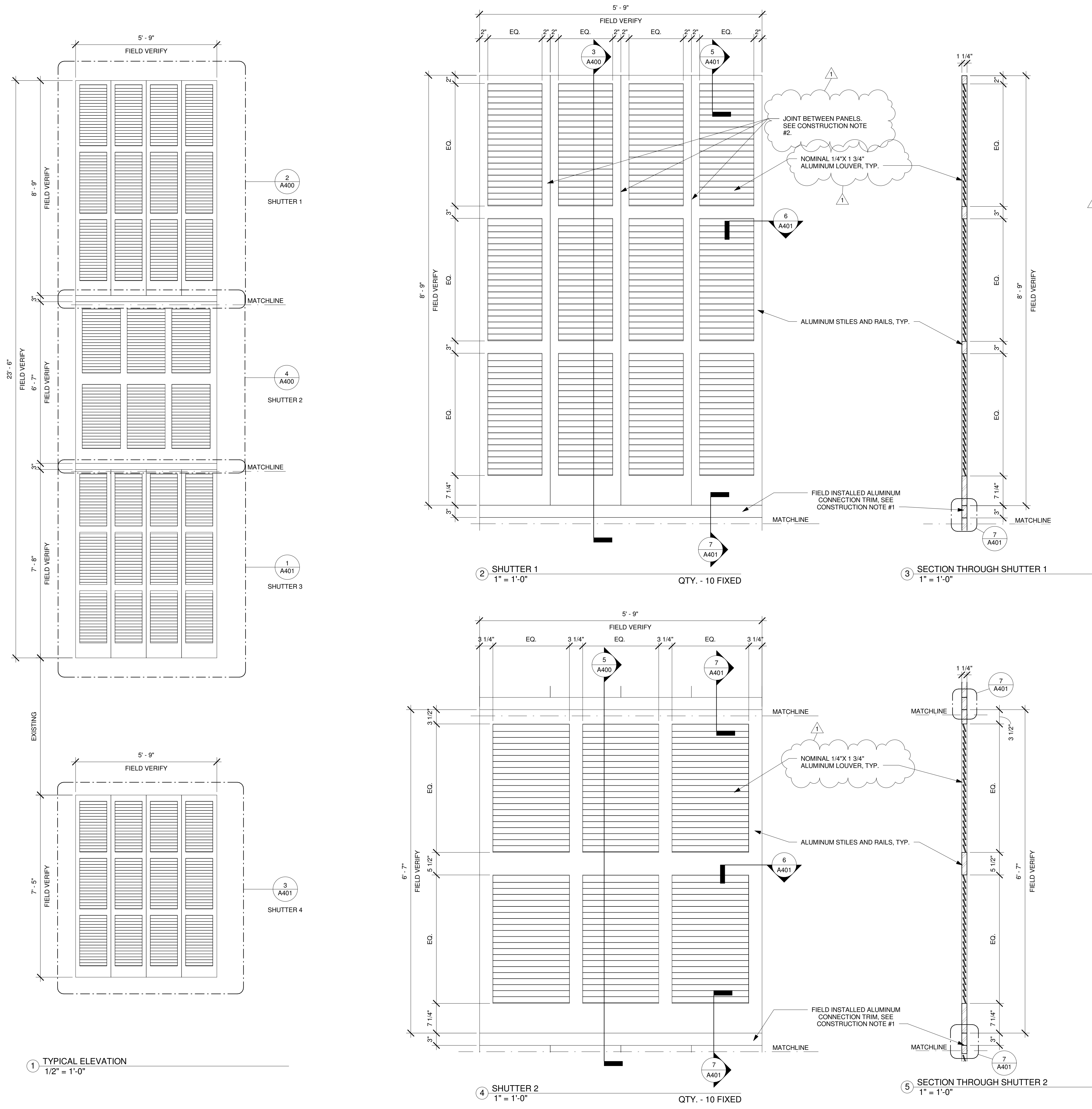
ISSUED FOR BIDDING JANUARY 9, 2015

REVISIONS		
NO.	DATE	DESCRIPTION

USC PROJECT # CP00366430  
STATE PROJECT # H27-6100  
PROJECT NUMBER **14066**  
SHEET NUMBER  
**A001**  
SHEET NAME  
EXISTING PHOTOS  
DATE **01/09/15**



THIS DRAWING AND THE DESIGN SHOWN THEREON ARE PROPERTY OF STUDIO 2LR, INC. THE REPRODUCTION, COPYING, OR OTHER USE OF THIS DRAWING WITHOUT WRITTEN CONSENT OF STUDIO 2LR, INC. IS PROHIBITED AND INFRINGEMENTS WILL BE SUBJECT TO LEGAL ACTION.



- ### DEMOLITION NOTES
- REMOVE ALL EXISTING WOOD SHUTTERS AND WOOD SUB FRAME COMPLETE, INCLUDING ANY CAULKING. USE SPECIAL PRECAUTIONS TO NOT DAMAGE ANY EXISTING FINISHES.
- ### GENERAL NOTES
- PATCH AND REPAIR ALL EXISTING FINISHES DISTURBED OR DAMAGED DURING DEMOLITION AND CONSTRUCTION. MATCH EXISTING FINISHES. PRIME AND PAINT WITH SHERWIN WILLIAMS "LOXON" SYSTEM. MATCH EXISTING COLOR.
  - ALL FASTENERS SHALL BE STAINLESS STEEL. THERE SHALL BE NO EXPOSED FASTENERS USED IN THE INSTALLATION OF THIS SYSTEM.
- ### CONSTRUCTION NOTES
- THE DESIGN INTENT IS FOR THE 3" FIELD INSTALLED ALUMINUM CONNECTION TRIM TO BE INSTALLED AFTER EACH SHUTTER IS IN CLIPPED INTO PLACE, CONSECUTIVELY. THIS WILL ALLOW THE CONTRACTOR ROOM TO MAKE ADJUSTMENTS. IF THE CONTRACTOR USES AN ALTERNATE METHOD OF INSTALLATION, THE METHOD MUST BE REVIEWED AND APPROVED BY THE OWNER AND THE ARCHITECT.
  - AT FIXED SHUTTER PANELS IT IS THE INTENT OF THE OWNER TO HAVE INDIVIDUAL SHUTTER PANELS, ATTACHED TO EACH OTHER SO THAT THE LOOK IS SIMILAR TO A BI-FOLD SHUTTER. IF THE CONTRACTOR USES AN ALTERNATE METHOD OF INSTALLATION, THE METHOD MUST BE REVIEWED AND APPROVED BY THE OWNER AND THE ARCHITECT.
  - SUBFRAME TO BE EXTERIOR GRADE. PRESSURE TREATED 2X MEMBERS ANCHORED TO EXISTING WALL. PROVIDE SHIM SPACE AND WEEPS AT BOTTOM OF SUBFRAME WHERE IT ATTACHES TO THE EXISTING WALL.
  - HARDWARE FOR OPERABLE SHUTTER:  
 10 HINGES (5 HINGES PER LEAF)  
 4 PULLS (2 PER LEAF, 1 EXTERIOR AND 1 INTERIOR)  
 1 HASP  
 ALL HARDWARE SHALL BE POWDER COATED 304 STAINLESS STEEL
  - PROVIDE INSECT SCREENING AT THE BACK OF ALL SHUTTERS WITH THE EXCEPTION OF THE OPERABLE SHUTTERS, WHICH WILL RECEIVE NO BACKING.
  - ANY EXISTING STUCCO DISTURBED DURING DEMOLITION OR CONSTRUCTION SHALL BE REPAIRED WITH THE FOLLOWING STUCCO MIXES. CONTRACTOR SHALL VERIFY TYPE OF STUCCO TO BE REPAIRED PRIOR TO COMMENCEMENT.
    - FOR MODERN STUCCO:** A MIX OF 1 PART TYPE M MASONRY CEMENT AND 3.4 PARTS LOCAL AGGREGATE.  
 TYPE M MASONRY CEMENT - GUARANTEED SUPPLY COMPANY 1850 SHOP ROAD COLUMBIA, SC 803-212-1626  
 WASHED FINE GRAINED MASONRY SAND - B&T SAND MINE (MEADORS SAND LIBRARY #10) 5960 EDMUND HWY. LEXINGTON SC 803-955-0771
    - FOR HISTORIC STUCCO:** A MIX OF 1 PART LIME AND 2.5 PARTS LOCAL AGGREGATE.  
 TYPE S HYDRATED LIME - GUARANTEED SUPPLY COMPANY 1850 SHOP ROAD COLUMBIA, SC 803-212-1626  
 WASHED FINE GRAIN MASONRY SAND - LUGOFF SAND MINE (MEADORS SAND LIBRARY #11) 1428 FORT JACKSON ROAD LUGOFF, SC 803-771-6150
  - ALL PARTS SHALL BE MIXED BY VOLUME AND NOT BY WEIGHT. DRY INGREDIENTS SHOULD BE WELL MIXED PRIOR TO ADDING WATER. CURED SAMPLES SHALL BE COMPARED TO THE ORIGINAL TO ENSURE AN AESTHETIC MATCH.
  - CONTRACTOR SHALL FIELD VERIFY ALL MASONRY OPENINGS PRIOR TO ORDERING AND FABRICATING METAL SHUTTERS TO PROVIDE CONTINUOUS AND CONSISTENT GAP BETWEEN SHUTTERS AND MASONRY OPENINGS.
  - CONTRACTOR SHALL FURNISH AND INSTALL ONE FULL SIZE MOCK UP, IN ONE BAY OF THE BUILDING (EAST SIDE), WHICH IF APPROVED SHALL REMAIN AS PART OF THE PROJECT AND SERVE AS A STANDARD OF QUALITY AND WORKMANSHIP.

**ISSUED FOR BIDDING JANUARY 9, 2015**

CLIENT NAME UNIVERSITY OF SOUTH CAROLINA PROJECT NAME <b>USC LONGSTREET THEATRE SHUTTER REPLACEMENT</b> LOCATION 1300 GREENE STREET, COLUMBIA, SC	<table border="1" style="width: 100%; border-collapse: collapse;"> <thead> <tr> <th colspan="3">REVISIONS</th> </tr> <tr> <th>NO.</th> <th>DATE</th> <th>DESCRIPTION</th> </tr> </thead> <tbody> <tr> <td>1</td> <td>2/18/2015</td> <td>Revision 1</td> </tr> </tbody> </table> USC PROJECT # CP00366430 STATE PROJECT # H27-6100 PROJECT NUMBER <b>14066</b> SHEET NUMBER <h1 style="margin: 0;">A400</h1> SHEET NAME <b>ELEVATIONS</b> DATE <b>01/09/15</b>	REVISIONS			NO.	DATE	DESCRIPTION	1	2/18/2015	Revision 1
REVISIONS										
NO.	DATE	DESCRIPTION								
1	2/18/2015	Revision 1								

STUDIO 2LR, INC.  
 801 GERVAIS ST. SUITE 201  
 COLUMBIA, SOUTH CAROLINA 29201  
 P. 803.233.6602 F. 802.233.6613  
 STUDIO2LR.COM

STUDIO 2LR | ARCHITECTURE + INTERIORS

