

University of South Carolina
 Purchasing Department
 1600 Hampton Street, 6th floor
 Columbia, SC 29208
 Telephone: (803) 777-4115

Request for Quotation

Page One

THIS IS NOT AN ORDER

Quotation must be received No Later Than:	Send quotation to above address Attention of:	Quotation Number:	Date
---	--	-------------------	------

Print company name and address:

Please quote your lowest delivered price of the items(s) listed below. The Purchasing Department reserves the right to reject any or all quotes and to waive any or all technicalities.

1. If an item cannot be furnished, indicate by **NO QUOTE**.
2. All quotes must be signed by the vendor's representative and terms noted, failure to comply with this instruction may result in disqualification of the quote.
3. **FAXED QUOTES ACCEPTABLE.** FAX # (803) 777-2032

Federal I.D. or Social Security No. _____ SC Minority Certification Number (If Applicable) _____

Submitted By (Print Name) _____ Signature _____ Telephone _____

Item No.	Quantity and Unit	Description of Commodity or Services	Unit Price	Total Price

GENERAL CONDITIONS

DEFAULT: In case or default by the Contractor, the University of South Carolina reserves the right to purchase any or all items in default in the open market, charging the Contractor with any additional costs. The defaulting Contractor shall not be considered a responsible bidder until the assessed charge has been satisfied.

All amendments to and interpretation of this RFQ shall be in writing. The procurement officer shall not be legally bound by any amendment or interpretation that is not in writing.

SC/US PREFERENCE: In order to receive the South Carolina/United States made, manufactured or grown end-product preference, you must check the appropriate space (s) provided on the face of the quotation form. This preference does not apply to services.

Any contract entered into by the University of South Carolina or its agencies resulting from this quotation shall be subject to cancellation at the end of any fiscal or appropriated year unless otherwise provided by law.

Payment will be made in accordance with Section 11-35-45 of the South Carolina Consolidated Procurement Code and Disbursement Regulations. Delay in receiving invoices, as well as errors and omissions on the invoices, will be considered just cause for withholding payment without losing discount privileges. The University reserves the right to withhold payment or make such deductions as may be necessary to protect the University from loss or damage because of defective work, claims, damages or to pay for repair of correction of materials furnished hereunder.

Quoted prices must remain firm for a period of thirty days beyond the Request for Quotation deadline. Unit prices will govern over extended prices unless otherwise stated.

The University of South Carolina shall consider payment discounts in the award of this contract when such discounts are for thirty days or more after final inspection and acceptance of contract requirements. Payment discounts for less than thirty days are encouraged but shall not be a factor in award determination. Please state your discount terms using the above referenced information as the University's position on the matter.

All materials and products offered must be guaranteed to meet and comply with the requirements all the specifications, terms and conditions indicated or referred to.

The award will be made in accordance with Section 11-35-1520 of the South Carolina Consolidated Procurement Code.

The University reserves the right to reject any and all quotations and to cancel the solicitation; waive any and all technicalities; the University reserves the right to reject any quotation in which the delivery time indicated to be of substantial length to cause disruption and/or delay in operation for which the item(s) is/are intended; ambiguous quotations which are uncertain as to terms, delivery, quantity or compliance with specifications may be rejected.

The successful contractor assumes sole responsibility and shall hold harmless the University of South Carolina, its directors, officers, employees and agents from and against any and all claims, actions or liabilities of any nature which may be asserted against them by third parties in connection with the performance of the successful bidder, its directors, officers, employees and agents under this agreement. The University of South Carolina agrees to accept responsibility for claims, actions or liabilities resulting from negligent acts of its employees occurring within the scope of their employment which may be asserted against them by third parties in connection with the performance of the University of South Carolina, its members, directors, officers, employees and agents under this agreement.

Contractor agrees not to refer to award of this contract in commercial advertising in such a manner to state or imply that the products or service provided are endorsed or preferred by the user.

Upon award of a contract under this quotation, the person, partnership, association or corporation to whom the award is made must comply with the laws of South Carolina that require such person or entity to be authorized and/or licensed to do business in this State. Notwithstanding the fact that applicable statutes may be exempt or exclude the successful quoter from requirements that it be authorized and/or licensed to do business in this State, by submission of this signed quote, the quoter agrees to subject itself to the jurisdiction and process of the courts of the State of South Carolina as to all matters and disputes arising or to arise under the contract and the performance thereof, including any questions as to the liability for taxes, licenses or fees levied by the State.

Termination: Subject to the provisions below, the contractor may be terminated for any reason by the University providing a thirty-day advance notice in writing is given to the contractor.

Termination for Convenience: In the event that this contract is terminated or cancelled upon request and for the convenience of the University may negotiate reasonable termination costs, if applicable.

Termination for Cause: Termination by the University for cause, default, or negligence on the part of the Contractor shall be excluded from the foregoing provisions; termination costs, if any, shall not apply. The thirty day advance notice requirement is waived and the default provision in this bid shall apply.

HIPAA Law: The Contractor agrees that to the extent that some or all of the activities within the scope of this Contract are subject to the Health Insurance Portability Accountability Act of 1996, P.L. 104-91, as amended (“HIPAA”), or its implementing regulations, it will comply with the HIPAA requirements and will execute such agreements and practices as the University of South Carolina may require to ensure compliance. Additional information may be viewed at: <http://www.sc.edu/hipaa/>

SPECIAL CONDITIONS

LICENSES, PERMITS, INSURANCE: All costs for required licenses, permits and insurance shall be borne by the Bidder.

The University of South Carolina requires all contractual activities to be performed in a manner that is consistent with all applicable federal, state and local laws, regulations, rules, rulings and ordinances. These include, but are not limited to: the Occupational safety and Health Act, The Environmental Protection Act, The South Carolina Hazardous Waste Management Act.

IMPORTANT – Please Note

Vendors, we **MUST** have your Federal ID # (company) or Social Security # (individual) before processing any invoices for payment. Failure to provide this information will result in delay of payments until this information is received. Please include this information with your quote.

SCOPE OF WORK

It is the intent of the University of South Carolina to solicit bids to furnish and deliver lavatory supplies, in accordance with all the requirements stated herein.

SPECIFICATIONS

<u>Qty</u>	<u>Mfg. No.</u>	<u>Description</u>
80ea	K2196-4-0	KOHLER 20x17 4 VC Lavatory – *Pennington™
80ea	D523LFHDF	DELTA Faucet: LF 1.5 GPM *Classi 1HDL CC
80ea	MC8872C	MCGUIRE 1-1/4x1-1/4 17 GA P Trap
80ea	MH165	MCGUIRE Supply Kit: 3/8x12 Lavatory Supply Kit Heavy WHL
160ea	PFCHNCM	PROFLO Chrome Brass Nipple: 0413 3/8x3 CP BRS NIP
80ea	PF202WH	PROFLO 3 piece Trap and Supply Cover White

ATTACHED DOCUMENTS:

- PLUMBING FIXTURE SCHEDULE (1 page)
- KOHLER Pennington™ Counter Lavatory K-2196 spec sheets (2 pages)
- DELTA Lavatory Faucets spec sheet (1 page)
- MCGUIRE Manufacturing Production spec sheets (2 pages)
- PROFLO spec sheets (2 pages)

The specifications listed herein are not to be considered restrictive to one source of supply. However, items offered must be equal in quality and performance. The offeror must include with his bid/quote, supporting product data sufficient for the University to determine equality and acceptability. The right is reserved to reject any offering in which the items offered are considered unsatisfactory in any manner. The University will determine if minor deviations from the listed features are acceptable. (SPM022)

ADDITIONAL SPECIAL CONDITIONS

PREFERENCES - A NOTICE TO VENDORS (SEP. 2009): On June 16, 2009, the South Carolina General Assembly rewrote the law governing preferences available to in-state vendors, vendors using in-state subcontractors, and vendors selling in-state or US end products. This law appears in Section 11-35-1524 of the South Carolina Code of Laws. A summary of the new preferences is available at www.procurement.sc.gov/preferences. **ALL THE PREFERENCES MUST BE CLAIMED AND ARE APPLIED BY LINE ITEM, REGARDLESS OF WHETHER AWARD IS MADE BY ITEM OR LOT. VENDORS ARE CAUTIONED TO CAREFULLY REVIEW THE STATUTE BEFORE CLAIMING ANY PREFERENCES. THE REQUIREMENTS TO QUALIFY HAVE CHANGED. IF YOU REQUEST A PREFERENCE, YOU ARE CERTIFYING THAT YOUR OFFER QUALIFIES FOR THE PREFERENCE YOU'VE CLAIMED. IMPROPERLY REQUESTING A PREFERENCE CAN HAVE SERIOUS CONSEQUENCES.** [11-35-1524(E)(4)&(6)]

PREFERENCES - SC/US END-PRODUCT (SEP 2009): Section 11-35-1524 provides a preference to vendors offering South Carolina end-products or US end-products, if those products are made, manufactured, or grown in SC or the US, respectively. An end-product is the tangible project identified for acquisition in this solicitation, including all component parts in final form and ready for the use intended. The terms "made," "manufactured," and "grown" are defined by Section 11-35-1524(A). By signing your offer and checking the appropriate space(s) provided and identified on the bid schedule, you certify that the end-product(s) is either made, manufactured or grown in South Carolina, or other states of the United States, as applicable. Preference will be applied as required by law. Post award substitutions are prohibited. See "Substitutions Prohibited - End Product Preferences (Sep 2009)" provision.

PREFERENCES - RESIDENT VENDOR PREFERENCE (SEP 2009): To qualify for the RVP, you must maintain an office in this state. An office is a nonmobile place for the regular transaction of business or performance of a particular service which has been operated as such by the bidder for at least one year before the bid opening and during that year the place has been staffed for at least fifty weeks by at least two employees for at least thirty five hours a week each. In addition, you must either: (1) maintain at a location in South Carolina at the time of the bid an inventory of expendable items which are representative of the general type of commodities for which the award will be made and which have a minimum total value, based on the bid price, equal to the lesser of fifty thousand dollars [\$50,000] or the annual amount of the contract; or (2) be a manufacturer headquartered and having an annual payroll of at least one million dollars in South Carolina and the end product being sold is either made or processed from raw materials into a finished end product by that manufacturer or its affiliate (as defined in Section 1563 of the Internal Revenue Code).

SUBSTITUTIONS PROHIBITED - END PRODUCT PREFERENCES (SEP 2009): If you receive the award as a result of the South Carolina end product or United States end product preference, you may not substitute a nonqualifying end product for a qualified end product. If you violate this provision, the State may terminate your contract for cause and you may be debarred. In addition, you shall pay to the State an amount equal to twice the difference between the price paid by the State and your evaluated price for the item for which you delivered a substitute. [11-35-1534(B)(4)]

MINORITY PARTICIPATION (JAN 2006)

Is the bidder a South Carolina Certified Minority Business? Yes NO

Is the bidder a Minority Business certified by another governmental entity? Yes NO

If so, please list the certifying governmental entity: _____

Will any of the work under this contract be performed by a SC certified Minority Business as a subcontractor?
 Yes NO

If so, what percentage of the total value of the contract will be performed by a SC certified Minority Business as a subcontractor? Yes NO

Will any of the work under this contract be performed by a minority business certified by another governmental entity as a subcontractor? Yes NO

If so, what percentage of the total value of the contract will be performed by a minority business certified by another governmental entity as a subcontractor? Yes NO

If a certified Minority Business is participating in this contract, please indicate all categories for which the Business is certified:

- Traditional minority
- Traditional minority, but female
- Women (Caucasian females)
- Hispanic minorities
- DOT referral (Traditional minority)
- DOT referral (Caucasian female)
- Temporary certification
- SBA 8 (a) certification referral
- Other minorities (Native American, Asian, etc.)

(If more than one minority contractor will be utilized in the performance of this contract, please provide the information above for each minority business.)

BID SCHEDULE
For
USC-RFQ-2424-LW

COMMODITY (MATERIALS)

(Do not include sales tax; this will be calculated accordingly.)

Item	Qty	Unit of Measure	Description	Unit Price	Extended Price
1	80	Each	K2196-4-0 KOHLER 20x17 4 VC Lavatory – *Pennington™ <i>as specified</i>	\$ _____	\$ _____

Manufacturer: _____ Product No. _____

Resident Vendor Preference _____
 SC End Product Preference _____
 US End Product Preference _____

Item	Qty	Unit of Measure	Description	Unit Price	Extended Price
2	80	Each	D523LFHDF DELTA Faucet: LF 1.5 GPM *Classi 1HDL CC <i>as specified</i>	\$ _____	\$ _____

Manufacturer: _____ Product No. _____

Resident Vendor Preference _____
 SC End Product Preference _____
 US End Product Preference _____

Item	Qty	Unit of Measure	Description	Unit Price	Extended Price
3	80	Each	MC8872C MCGUIRE 1-1/4x1-1/4 17 GA P Trap <i>as specified</i>	\$ _____	\$ _____

Manufacturer: _____ Product No. _____

Resident Vendor Preference _____
 SC End Product Preference _____
 US End Product Preference _____

Item	Qty	Unit of Measure	Description	Unit Price	Extended Price
4	80	Each	MH165 MCGUIRE Supply Kit: 3/8x12 Lavatory Supply Kit Heavy WHL <i>as specified</i>	\$ _____	\$ _____

Manufacturer: _____ Product No. _____

Resident Vendor Preference _____
 SC End Product Preference _____
 US End Product Preference _____

Item	Qty	Unit of Measure	Description	Unit Price	Extended Price
5	160	Each	PFCHNCM PROFLO Chrome Brass Nipple: 0413 3/8x3 CP BRS NIP <i>as specified</i>	\$_____	\$_____

Manufacturer: _____ Product No. _____

Resident Vendor Preference _____
 SC End Product Preference _____
 US End Product Preference _____

Item	Qty	Unit of Measure	Description	Unit Price	Extended Price
6	80	Each	PF202WH PROFLO 3 piece Trap and Supply Cover White <i>as specified</i>	\$_____	\$_____

Manufacturer: _____ Product No. _____

Resident Vendor Preference _____
 SC End Product Preference _____
 US End Product Preference _____

NOTE: The commodity preferences do not apply to a single unit of an item with a price in excess of \$50,000 or a single award with a total potential value in excess of \$500,000. [11-35-1524(E)(2)]
 Please refer to the preference clauses listed in the terms and conditions of this solicitation to ensure that you qualify to select the above preferences.

Item	Qty	Unit of Measure	Description	Unit Price
7	1	Each	Freight	\$_____

TOTAL OF ITEMS #1-7 = \$_____

Delivery Date: _____

PLUMBING FIXTURE SCHEDULE

NO.	FIXTURE	MFGR.	NAME	MFGRS. NO.	COLOR	SIZE	MIN. SUPPLY		REMARKS
							CW	HW	
P-1	LAVATORY	KOLHER	PENNINGTON	K-2196-4	WHITE	20 1/4"x17 1/2"	3/8"	3/8"	WITH DELTA MODEL 523-HDF-DST FAUCET, METAL GRID STRAINER, McGUIRE H165 3/8" CAST BRASS SUPPLIES WITH STOPS AND McGUIRE 8872 1-1/4" P-TRAP. MOUNT PER ADA REQUIREMENTS.

GENERAL PLUMBING NOTES:

1. ALL WORK SHALL BE PERFORMED ACCORDING TO ALL LOCAL, STATE, NATIONAL CODES AND THE 2009 INTERNATIONAL PLUMBING CODE.
2. ALL EXPOSED WASTE AND WATER PIPING UNDER LAVATORIES SHALL BE INSULATED WITH A HANDI LAV-GUARD KIT MODEL NUMBER 102W AS MANUFACTURED BY TRUEBRO, INC., OR APPROVED EQUAL.
3. ALL PIPING INSULATION SHALL BE RUN CONTINUOUSLY.
4. COORDINATE INSTALLATION WITH USC FACILITIES PLUMBING.
5. TRASH RECEPTACLES TO BE PROVIDED AND INSTALLED BY OWNER.

KOHLER®

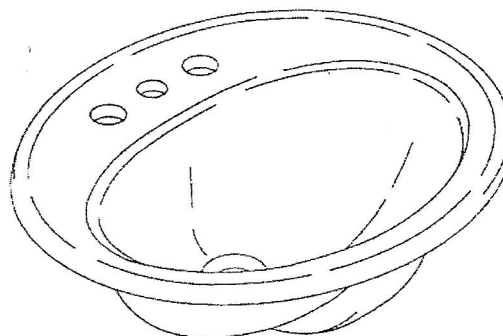
PENNINGTON™

**COUNTERTOP LAVATORY
K-2196**

ADA

Features

- Vitreous china
- Self-rimming
- ADA compliant when installed in a 21" (53.3 cm) minimum depth countertop
- Optional soap dispenser hole on left (-L) or right (-R)
- With or without overflow
- 4" (10.2 cm) centers
- 20-1/4" (51.4 cm) x 17-1/2" (44.5 cm)



Codes/Standards Applicable

Specified model meets or exceeds the following:

- ADA
- ASME A112.19.2
- CABO/ANSI A117.1
- IAPMO/UPC
- Listed in State of Massachusetts
- CSA International

Colors/Finishes

- 0: White
- Other: Refer to Price Book for additional colors/finishes

Accessories:

- CP: Polished Chrome

Specified Model



Model	Description	Colors/Finishes	
K-2196-4	4" (10.2 cm) centers; less soap dispenser hole; with overflow	• 0 White	• Other _____
K-2196-4L	4" (10.2 cm) centers; with soap dispenser hole on left; with overflow	• 0 White	• Other _____
K-2196-4R	4" (10.2 cm) centers; with soap dispenser hole on right; with overflow	• 0 White	• Other _____
K-2196-4N	4" (10.2 cm) centers; less soap dispenser hole; less overflow	• 0 White	• Other _____
K-2196-4K	4" (10.2 cm) centers; with soap dispenser hole on left; less overflow	• 0 White	• Other _____
K-2196-4F	4" (10.2 cm) centers; with soap dispenser hole on right; less overflow	• 0 White	• Other _____
Recommended Accessory			
K-8998	P-Trap		• CP

Product Specification

The self-rimming lavatory shall be 20-1/4" (51.4 cm) in length, and 17-1/2" (44.5 cm) in width. Lavatory shall be made of vitreous china. Lavatory shall have 4" (10.2 cm) centers drilling. Lavatory shall be ADA compliant when installed in a 21" (53.3 cm) minimum depth countertop. Lavatory shall be with or without overflow. Lavatory shall feature optional soap dispenser hole (-L, left or -R, right). Lavatory shall be Kohler Model K-2196-_____-_____.

PENNINGTON™

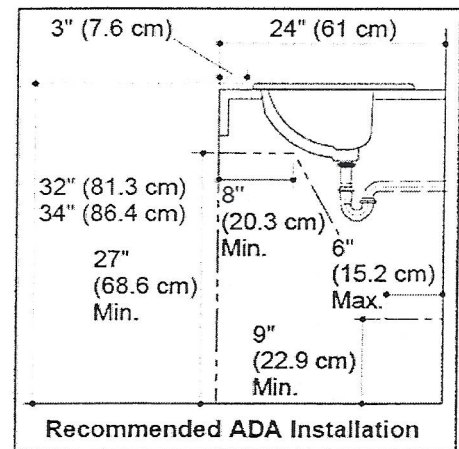
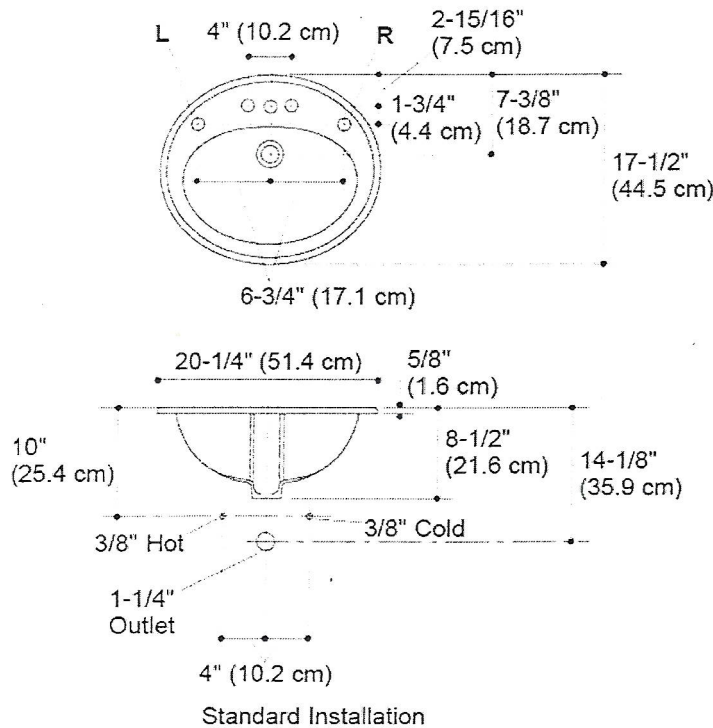
Technical Information

ADA compliant			
Fixture:*		basin area	water depth
Lavatory		16" (40.6 cm) x 11" (27.9 cm)	4" (10.2 cm)
Drain hole	1-3/4" D. (4.4 cm)		
* Approximate measurements for comparison only.			
Holes	Spout	Faucet	Soap dispenser
	1-1/4" D. (3.2 cm)	1-1/4" D. (3.2 cm)	1-1/4" D. (3.2 cm)
Included Components:			
Cutout template		1002970-7	

Installation Notes

Install this product according to the installation guide.

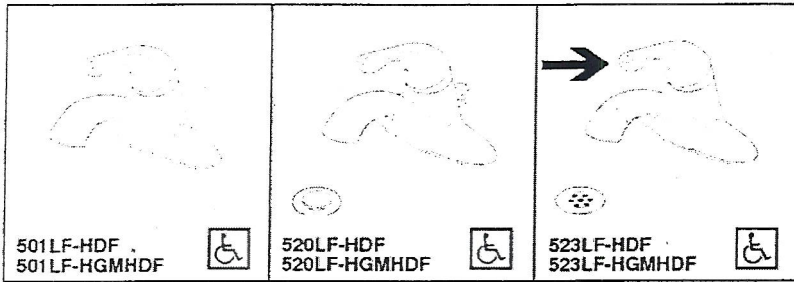
NOTICE: Countertop manufacturer or cutter must use the cutout template provided with the product, or a current one provided by Kohler Co. (call 1-800-4-KOHLER). Kohler Co. is not responsible for cutout errors when the incorrect cutout template is used.



Product Diagram

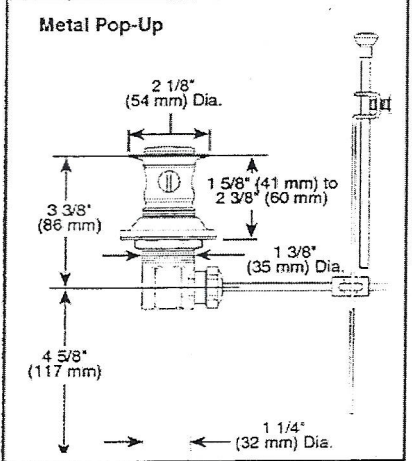
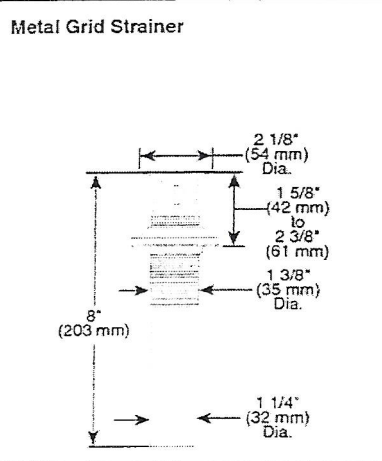
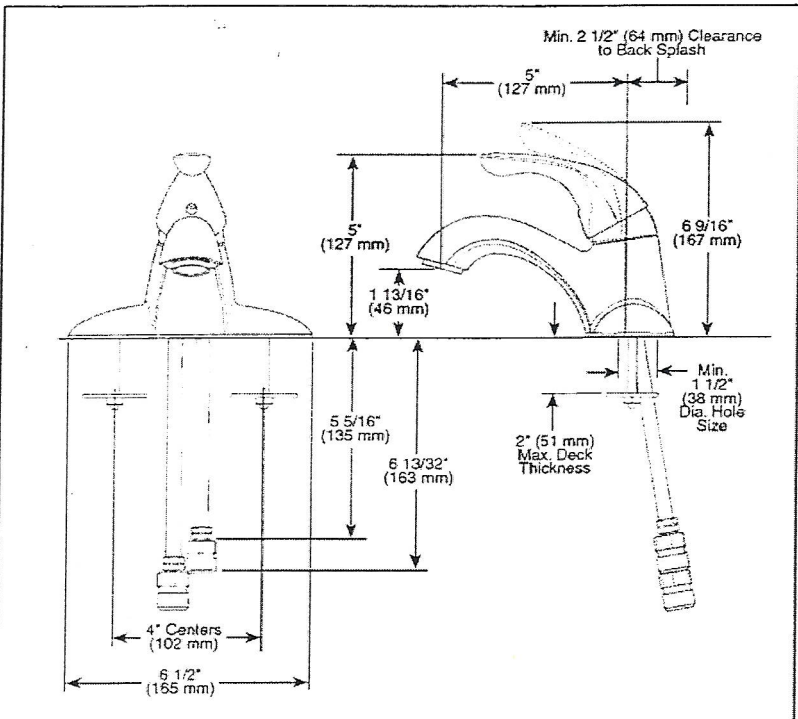
Lavatory Faucets

HDF®
COMMERCIAL



Submitted Model No.: _____

Specific Features: _____



- Single Handle
- 3 Hole Sink Applications
- 4" (102 mm) Centerset

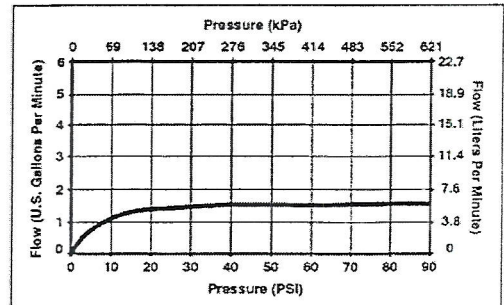
STANDARD SPECIFICATIONS:

- Single handle lavatory deck faucets for exposed mounting on three hole sinks.
- 4" (102 mm) centerset.
- All metal fabricated body.
- 5" (127 mm) spout.
- Vandal resistant aerator or spray outlet.
- Metal grid strainer (523).
- Metal pop-up drain (520).
- Lift rod hole (520).
- Vandal resistant lever handle. Red/blue colored graphics indicate hot/cold temperature.
- Control mechanism is the diamond embedded ceramic disc cartridge.
- Control handle shall return to the neutral position when valve is turned off.
- Adjustable handle limit stop.
- 3/8" O.D. straight, staggered copper supply tubes with 3/8" fittings.
- Available options for field conversion: 6" (152 mm) long elbow handle-red/blue colored graphics indicate hot/cold temperature. Order RP54687.
- Maximum 1.5 gpm flowrate @ 60 PSI.



COMPLIES WITH:

- ASME A112.18.1 / CSA B125.1
- ASME A112.18.2 / CSA B125.2
- Indicates ADA compliance to ICC/ANSI A117.1
- EPA WaterSense®
- Verified compliant with .25% weighted average Pb content regulations.



Delta reserves the right (1) to make changes in specifications and materials, and (2) to change or discontinue models, both without notice or obligation. Dimensions are for reference only. See current full-line price book or www.specselect.com for finish options and product availability.



McGuire Manufacturing Co., Inc.
 60 Grandview Court
 P.O. Box 746 ♣ Cheshire, CT 06410
 203-699-1801 ♣ Fax: 203-699-1813
 www.mcguiremfg.com

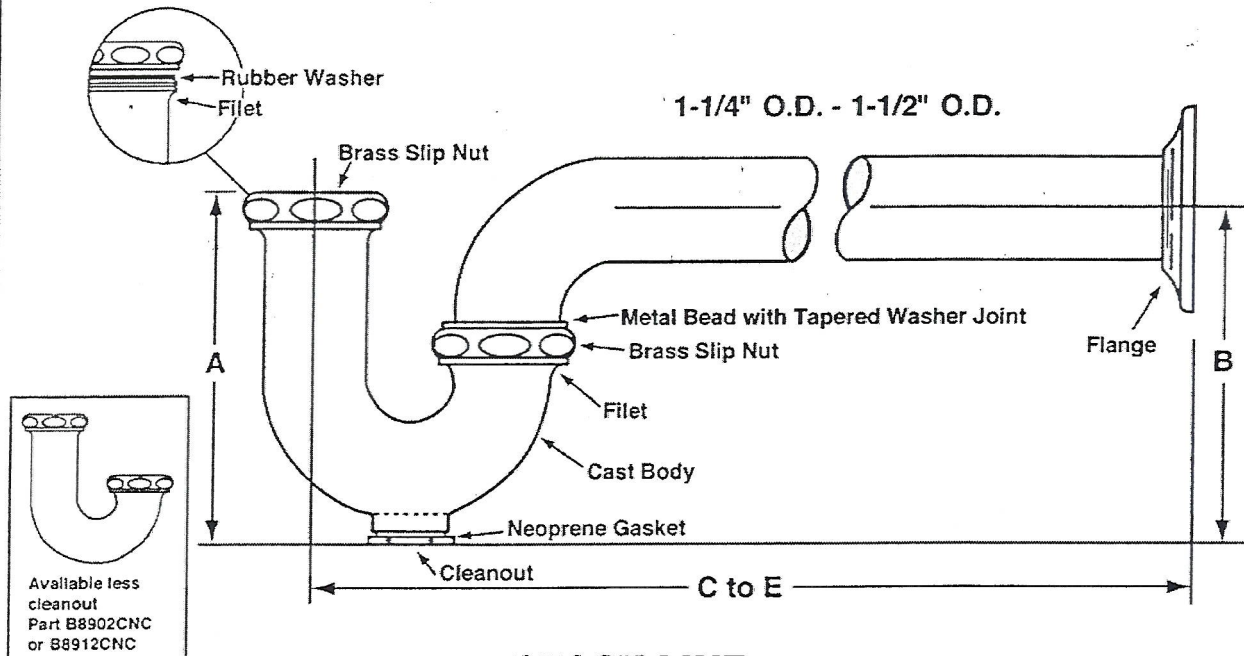
Part No.
 B8872, B8902, B8902CNC,
 B8912, B8912CNC,
 C8872, C8902, C8912

PRODUCT SPECIFICATION

**Cast Body P-Trap
 With or Without Cleanout**

Job Name: _____

Submittal Number: _____



Available less cleanout
 Part B8902CNC
 or B8912CNC

STOCK LINE

ROUGHING MEASUREMENTS					
NO.	TRAP DIMENSIONS		A	B	C to E
	INLET	OUTLET			
B8872	1-1/4"	1-1/4"	5"	4-1/2"	10"
C8872	1-1/4"	1-1/4"	5"	4-1/2"	10"
B8902	1-1/4"	1-1/2"	5"	4-1/2"	10-1/2"
B8902CNC	1-1/4"	1-1/2"	4-5/8"	4-1/8"	10-1/2"
C8902	1-1/4"	1-1/2"	5"	4-1/2"	10-1/2"
B8912	1-1/2"	1-1/2"	5"	4-1/2"	10-1/2"
B8912CNC	1-1/2"	1-1/2"	4-5/8"	4-1/8"	10-1/2"
C8912	1-1/2"	1-1/2"	5"	4-1/2"	10-1/2"



Note: Prefix "C" indicates die cast slip nuts.

**FED SPEC W.W.P. 541
 CAST BRASS P TRAP
 MINIMUM SEAL 2"**

See options and accessories section for details on product variations.

Specifications:

P-Trap shall be chrome plated cast brass body (with, without) cleanout, with 17 gauge seamless tubular wall bend, slip nuts. Reducing washers shall be used with reducing cast brass nut. With (shallow, deep, bell) (steel, brass) or (forged brass with set screw) flange. P-Trap shall bear manufacturer and testing mark.



McGUIRE MFG. CO., INC.

60 Grandview Court
 P.O. Box 746 ♣ Cheshire, CT 06410
 203-699-1801 ♣ Fax 203-699-1813
 www.mcguiremfg.com

Product Specification

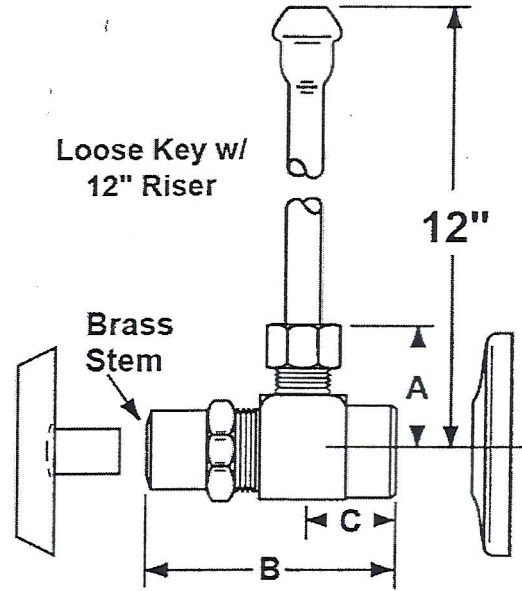
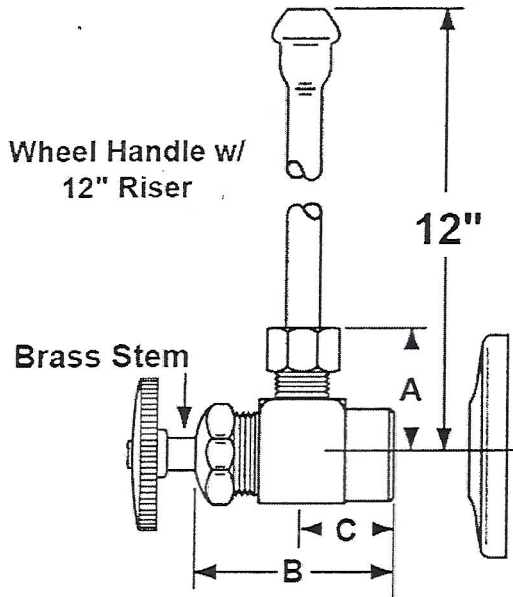
Part No.

H165, H165LK, H167, H167LK

Heavy Lavatory Supply
 3/8" I.P.S. X O.D.

Job Name:

Submittal Number:



NO.	ROUGHING MEASUREMENTS	A	B	C
→ H165	3/8" I.P.S. x 3/8" O.D.	1-3/8"	1-15/16"	1"
H165LK	3/8" I.P.S. x 3/8" O.D.	1-3/8"	2-7/16"	1"
H167	3/8" I.P.S. x 1/2" O.D.	1-3/8"	1-15/16"	1"
H167LK	3/8" I.P.S. x 1/2" O.D.	1-3/8"	2-7/16"	1"

LK designates *Loose Key*



See options and accessories section for details on product variations.

Specifications:

Supply kit shall include heavy pattern chrome plated brass stops with full turn brass stem, no plastic, (12, 15, 20) inch chrome plated copper risers and (shallow, deep, bell) (steel, brass) or (forged brass with set screw) flange. Inlet shall be (3/8, 1/2) inch (IPS, sweat, compression). Outlet shall be (3/8, 1/2) inch (IPS, compression). Supply kit shall be McGuire _____ . Supply kit shall be certified by CSA or other recognized testing authority and bear manufacturer and testing mark. Stop to be certified to 200 psi line pressure.



Cable Ties

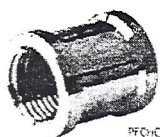
No.	Size In.	Description
All below sold per pack		
PSCTB8	4"	Black Cable Tie/100 pk
PSCTB9	7-1/2"	Black Cable Tie/100 pk
PSCTB8	8"	Black Cable Tie/100 pk
PSCTB11	11"	Black Cable Tie/100 pk
PSCTB14	14"	Black Cable Tie/100 pk
All below sold per piece		
PSCTB24	24"	Black Cable Tie/100 pk
PSCTA35	35"	Natural Cable Tie/50 pk
PSCTB36	35"	Black Cable Tie/50 pk
PSCTA48	48"	Natural Cable Tie/50 pk
PSCTA50	50"	Natural Cable Tie/50 pk

Chrome Plated Brass Nipples



No.	Description
Chrome Plated	
PFCHNCL	3/8" X Close
PFCHNCJ	3/8" X 1-1/2"
PFCHNCK	3/8" X 2"
PFCHNCL	3/8" X 2-1/2"
PFCHNCM	3/8" X 3"
PFCHNCA	3/8" X 3-1/2"
PFCHNCP	3/8" X 4"
PFCHNCP	3/8" X 4-1/2"
PFCHNCS	3/8" X 5"
PFCHNCT	3/8" X 5-1/2"
PFCHNCU	3/8" X 6"
PFCHNDC	1/2" X Close
PFCHNDJ	1/2" X 1-1/2"
PFCHNDK	1/2" X 2"
PFCHNDL	1/2" X 2-1/2"
PFCHNDM	1/2" X 3"
PFCHNDN	1/2" X 3-1/2"
PFCHNDR	1/2" X 4"
PFCHNDS	1/2" X 4-1/2"
PFCHNDS	1/2" X 5"
PFCHNDS	1/2" X 6"

Chrome Plated Brass Fittings



No.	Description
Chrome Plated	
PFCH9C	3/8" 90° Elbow
PFCH9D	1/2" 90° Elbow
PFCH9C	3/8" Coupling
PFCH9D	1/2" Coupling

* Carded • † Boxed • ‡ Bagged

Countersunk Plugs



No.	Size In.
For residential and light commercial only. Southern Code -Brass	
PFBP3CSKU	1-1/2
PFBP3CSKX	2
PFBP3CSKI	2-1/2
PFBP3CSKM	3
PFBP3CSKN	3-1/2
PFBP3CSKP	4
PFBP3CSKS	5
PFBP3CSKU	6
1/4" -20 Tapped	
PFEP33J	1-1/2
PFEP33K	2
PFEP33L	2-1/2
PFEP33M	3
PFEP33N	3-1/2
PFEP33P	4
PFEP33S	5
PFEP33U	6
6" CSK ERS	
5/16" -20 Tapped	
PFEP33LAJ	1-1/2
PFEP33LAK	2
PFEP33LAL	2-1/2
PFEP33LAM	3
PFEP33LAN	3-1/2
PFEP33LAP	4

Heavy Pattern-Brass	
PFHDCSBJ	1-1/2
PFHDCSBK	2
PFHDCSBL	2-1/2
PFHDCSBM	3
PFHDCSBN	3-1/2
PFHDCSBP	4
PFHDCSBPS	5

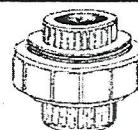
Raised Head Plugs



Plug for drainage. Not pressure rated. For residential and light commercial only. Will not hold pressure.

No.	Size In.
Southern Code -Brass	
PFBP3RHH	1-1/4
PFBP3RHJ	1-1/2
PFBP3RHK	2
PFBP3RHL	2-1/2
PFBP3RHM	3
PFBP3RHN	3-1/2
PFBP3RHP	4
PFBP3RHS	5
PFBP3RHU	6
PFBP3RHX	8
Heavy Pattern-Brass	
PFHDRHBPJ	1-1/2
PFHDRHBPK	2
PFHDRHBPJ	2-1/2
PFHDRHBPJ	3
PFHDRHBPJ	3-1/2
PFHDRHBPJ	4
PFHDRHBPJ	5

Unions



Constructed of gray PVC with EPDM O-rings. Fits schedule 80 and schedule 80 pipe. 150 psi at 73°F

No.	Size In.
Slip x Slip	
PFP80SLUD	1/2
PFP80SUIF	3/4
PFP80SUG	1
PFP80SUH	1-1/4
PFP80SUJ	1-1/2
PFP80SUK	2
PFP80SUL	2-1/2
PFP80SUM	3
IPS	
PFP80TUF	3/4
PFP80TUJ	1-1/2

Socket Flanges

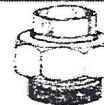


Schedule 80 construction using PVC material. Gray color. ANSI 150 lb. at 73.4 degrees F.

*Socket diameters conform to ASTM D 2467/F 439 SCH 80 Standard

No.	Size In.
Slip Socket -Van Stone	
PFP80VSSF	2
PFP80VSSF	2-1/2
PFP80VSSF	3
PFP80VSSF	4
PFP80VSSF	6
PFP80VSSF	8

Dielectric Unions



EPDM washer, nylon fiber sleeve. Pressure rated at 250 psi at 180°F. Prevents electrolysis or galvanic action when connecting dissimilar materials. Threads conform to ANSI B2.1. Solder ends conform to ANSI B16.19.

No.	Description
Sweat x MIP	
PFCCMS22	1/2" Copper Sweat X MIP
PFCCMS33	3/4" Copper Sweat X MIP
Sweat x Sweat	
PFCCS22	1/2" FIP X Copper Sweat
PFCCS33	3/4" FIP X Copper Sweat
PFCCS44	1" FIP X Copper Sweat
PFCCS55	1-1/4" FIP X Copper Sweat
PFCCS66	1-1/2" FIP X Copper Sweat
PFCCS77	2" FIP X Copper Sweat

PF200 Series Trap Covers

RAFS



Product Features

- ADA & UFAS Compliant
- No tools required contractor friendly Tear-To-Fit feature makes trimming fast
- Universal design fits virtually all lavatory applications
- Smooth, flush SnapClip™ fasteners firmly secure piping covers in place and are nonabrasive and reusable
- Antimicrobial vinyl maintain sanitary conditions
- Lock Lid™ on valve stops tampering and allows service
- Cleanout nut cap allows service on trap without disassembly
- Internal ribs enhance K valve and soften impact cushioning
- Fire retardant

Model Numbers

PF200WH	PF202WH	PF205WH	PFEXT299WH
PF201WH	PF203WH	PF299WH	PFEXT200WH

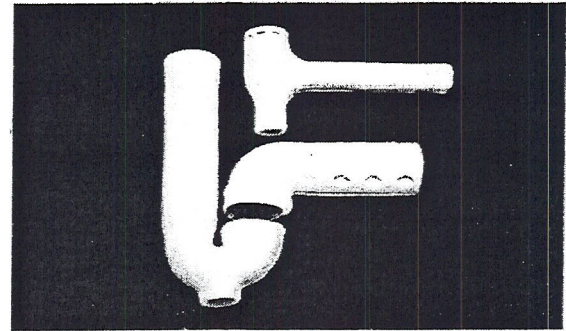
Material	Soft, resilient molded vinyl
Nominal Wall	1/8" constant with internal ribs
Durometer	70-80 – Shore A
UV Protection	Will not fade or discolor
Durability	Virtually indestructible
Trimming	E-Z Tear-To-Fit trim feature (no tools needed)
Fasteners	Internal E-Z Grip fasteners, reusable
Color	China white
Compatibility	Fits all 1-1/4" or 1-1/2" cast brass or tubular P-trap assemblies and 3/8" or 1/2" angle stop assemblies
Paintability	Apply latex paint
Burning Characteristics ASTM D-635	Self extinguished 0 sec (ATB) mm (AEB)
Bacterial/Fungus Resistance	ASTM G21 and G22 – Result: 0 growth
Maintenance	Wipe clean using common detergents

New E-Z Tear-To-Fit feature and E-Z Grip built-in fasteners make installation fast and easy!

1. Tear-To-Fit on internal, dimensioned tear lines for quick, clean, accurate trimming to fit virtually any piping configuration. Covers flex to install over pipes.
2. Press seams together at finger recesses to engage E-Z Grip internal fasteners for a secure, safe, tamper-resistant installation. To remove cover, firmly pull seam apart using a strong grip. To reinstall, press seams back together.

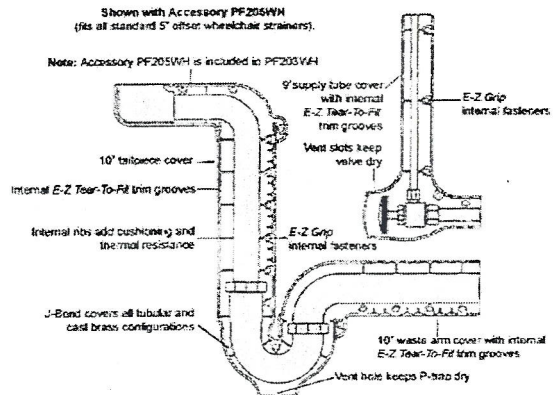
Warranty and Codes

This PROFLO product carries a 1-year limited warranty. This product meets ADA article 4.19.4; CABO/ANSI 4.20.4; UFAS 4.19.4; California Title 24; UPC/IAPMO ICC; Canada Barrier-Free Code. Made in USA.



PF201WH

Product Specifications



PF200WH	one P-trap cover
PF201WH	one P-trap cover, one angle valve and supply cover
PF202WH	one P-trap cover, two angle valves and supply covers
PF203WH	one P-trap cover, two angle valves and supply covers, one 5" offset tailpiece wheelchair strainer cover
PF299WH	one angle valve and supply cover
ACCESSORIES	
PF205WH	one 5" offset tailpiece wheelchair strainer assembly
EXTENSIONS	
PFEXT299WH	one 16" extension for water supply
PFEXT200WH	one 16" extension for drain waste or tailpiece

