



U N I V E R S I T Y O F  
**SOUTH CAROLINA**

AMENDMENT NO.1 TO SOLICITATION

TO: ALL VENDORS  
FROM: Kevin Sanders, Procurement Manager  
SUBJECT: SUBJECT: SOLICITATION NUMBER: USC-RFQ-2291-KS  
Bus Wraps  
DATE: August 2<sup>nd</sup>, 2012

---

This Amendment **No.1** modifies the Request for Quote only in the manner and to the extent as stated herein.

**Vendor questions/Answers**  
**Vehicle Identification**  
**Vehicle Photographs**  
**Replacement Artwork**

---

BIDDER SHALL ACKNOWLEDGE RECEIPT OF AMENDMENT **NO.1** IN THE SPACE PROVIDED BELOW AND RETURN IT WITH THEIR BID RESPONSE. FAILURE TO DO SO MAY SUBJECT BID TO REJECTION.

\_\_\_\_\_  
Authorized Signature

\_\_\_\_\_  
Name of Offeror

\_\_\_\_\_  
Date

**Question #1**

~are all 5 buses the exact same model as the one shown in the pictures attached to the RFQ? Can you provide the year, make, and model specifically for each of the 5 vehicles?

**Answer #1**

5 - 2012 Ford E450 cut away 22 passenger buses.

**Question #2**

~are there any graphics currently on the vehicle that we will be required to remove?

**Answer #2**

No artwork needs to be removed.

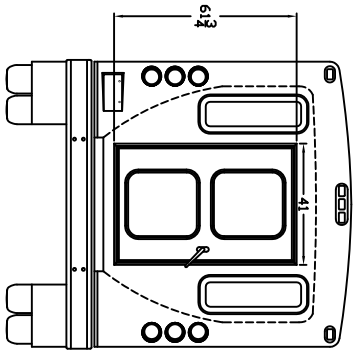
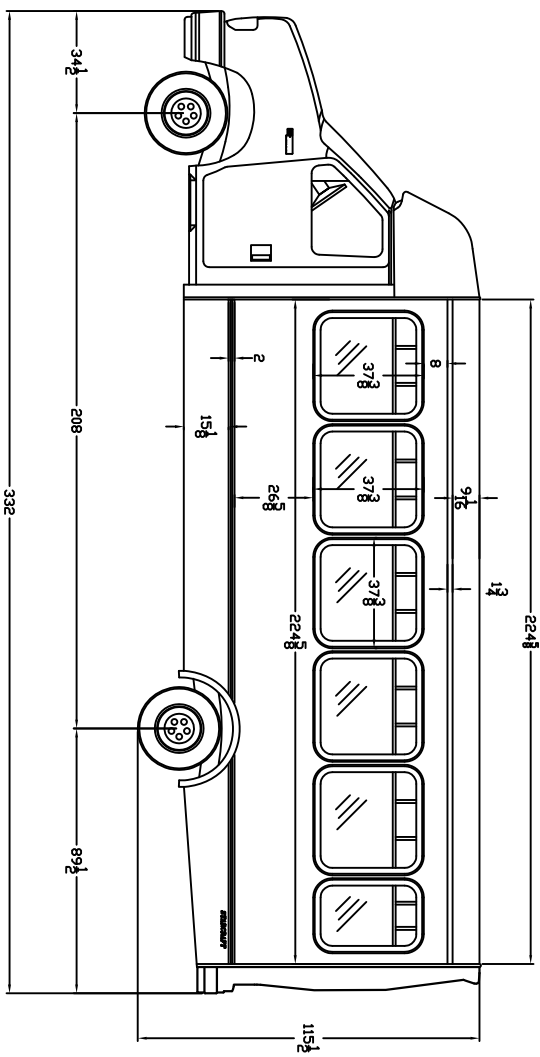
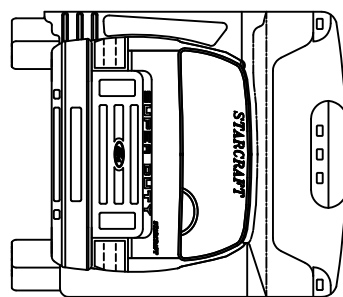
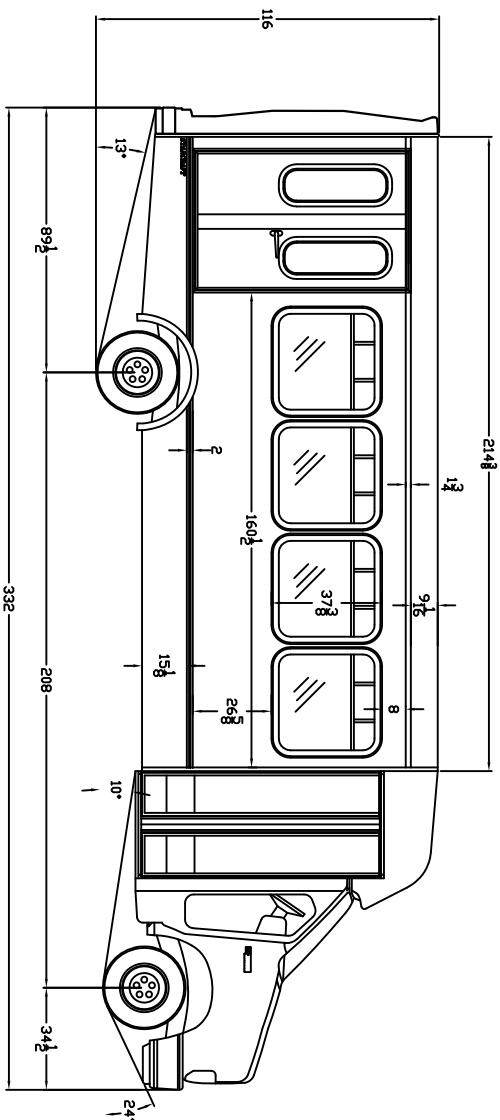
**Question #3**

~What are the unit dimensions?

**Answer #3**

Attached is the dimension info.

# 2011 ALLSTAR FORD



Rear Lift  
Standard Floor



## STARCRRAFT BUS

THIS DRAWING AND THE INFORMATION THEREON ARE THE EXCLUSIVE PROPERTY OF THE STARCRRAFT CORPORATION. IT SHALL NOT BE COPIED OR DUPLICATED IN ANY MANNER, NOR SHALL IT BE SUBMITTED TO OUTSIDE PARTIES FOR EXAMINATION WITHOUT OUR WRITTEN CONSENT. IT IS LOANED FOR USE WITH REFERENCE TO WORK UNDER CONTRACT WITH, OR PROPOSALS SUBMITTED TO THE STARCRRAFT CORPORATION.

REV.	DESCRIPTION OF CHANGE	BY	CHK	DATE	ECN No.	± 1°	± 1/2°	DATE:	TITLE
								06/29/11	208' WB 27' ALLSTAR ELEVATIONS
								MDK	DWG No. 208 WB 27FT 2011
									SHEET 1 OF 1

TOLERANCE UNLESS OTHERWISE SPECIFIED  
 WOOD ± 1/8" OTHER ± 1/16"  
 CHKR: MDK  
 APPRVD: DISK No.















