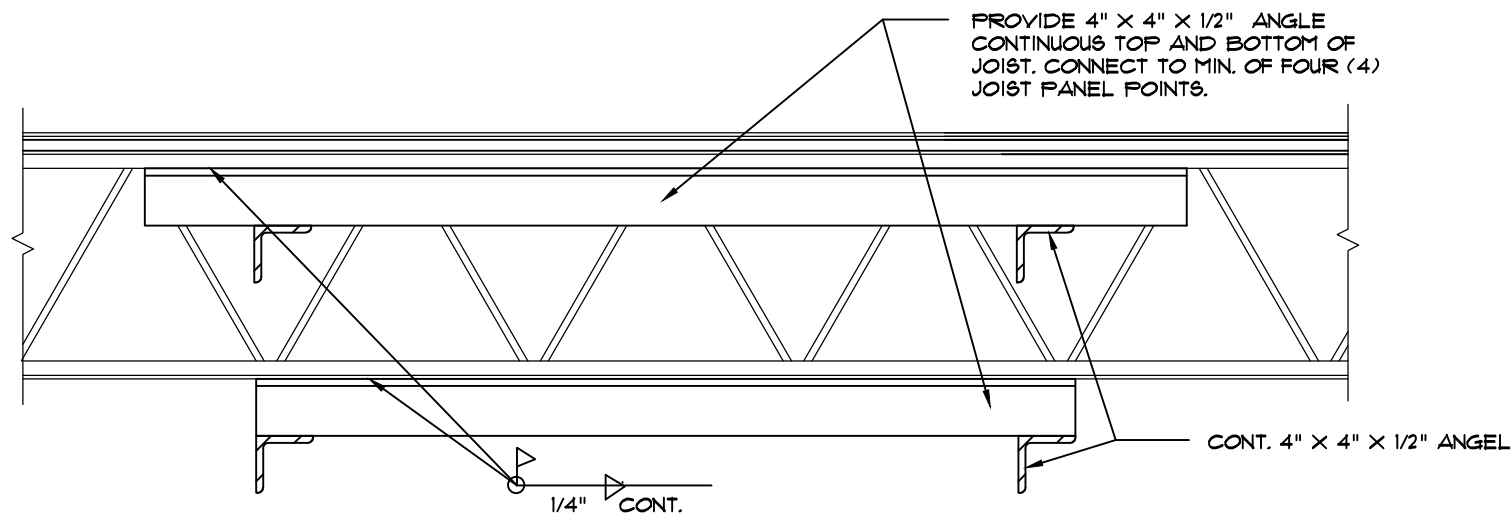
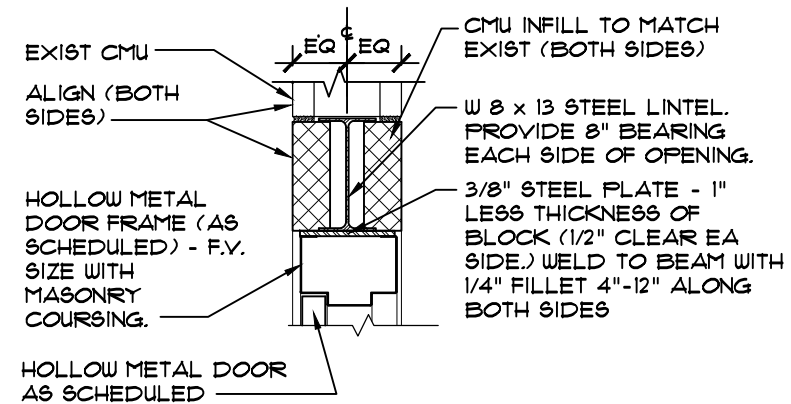


4 Joist Bracing Plan
NOT TO SCALE

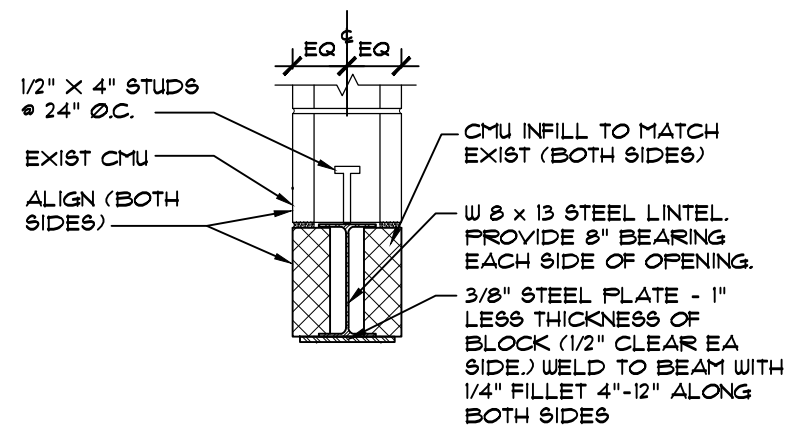


3 Joist Bracing Detail
NOT TO SCALE

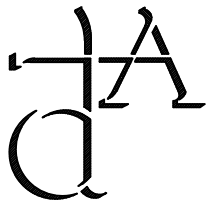
NOTES:
 1. STEEL ANGLE LINTELS OCCUR ABOVE TYPICAL DOOR OPENINGS IN ALL MASONRY APPLICATIONS. ALL EXPOSED STEEL ANGLE LINTELS ARE TO BE PAINTED.
 2. CONTRACTOR TO FIELD VERIFY BLOCK DIMENSION BEFORE ORDERING MATERIALS



2 Head Detail
NOT TO SCALE



1 Lintel Beam @ Opening
1" = 1'-0"



Drakeford Architects

120 North Main Street
Sumter, SC 29150 803 774-2000

Date September 19, 2012

Revisions



Proposed Renovations for:



East Campus at Walterboro

Science Bldg.

807 Hampton Street
Walterboro, S.C.

Project No.

Details

Scale: 1" = 1'-0"



File No. USCWS-FP01.dwg