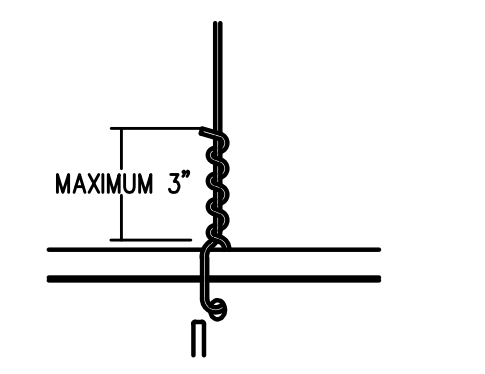
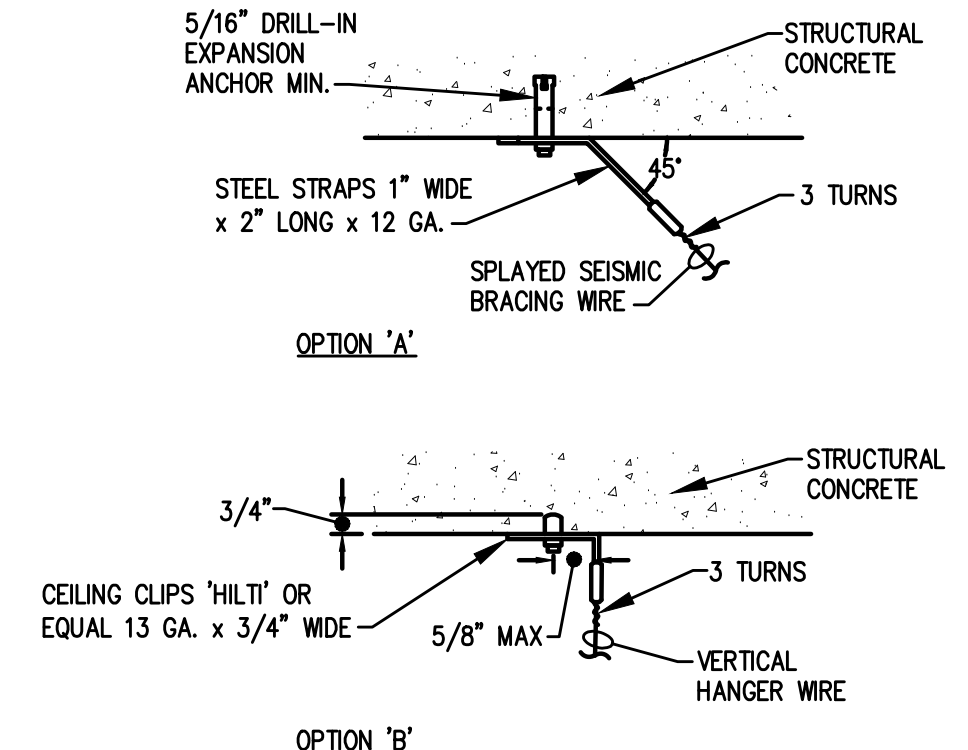


A
A1.1 REFLECTED CEILING PLAN - 1st FLOOR
SCALE: 1/8" = 1'-0"



1
A1.1 WIRE TIE DETAIL
NOT TO SCALE



2
A1.1 SPLAY WIRE ATTACHMENT DETAIL
NOT TO SCALE

- ARCHITECTURAL NOTES:**
- A1. REMOVE ALL EXISTING COFFERED AND ACOUSTICAL TILE CEILINGS IN THE AREAS OF WORK, INCLUDING THE CEILING GRID. DISPOSE OF ALL MATERIALS IN A SUITABLE MANNER.
 - A2. FURNISH AND INSTALL NEW 2'x2' ACOUSTICAL TILE CEILING GRIDS AND TILES TO EXACTLY MATCH THOSE AREAS THAT HAVE ALREADY BEEN REPLACED BY THE SCHOOL. REFER TO ARCHITECTURAL SPECIFICATION 09511, ACOUSTICAL CEILING PANELS.
- GENERAL NOTES:**
- G1. SEE DRAWING E0.1 FOR SYMBOL LEGENDS.
 - G2. CROSS HATCHED AREAS INDICATE NO WORK TO BE DONE IN THIS AREA.
 - G3. CONTRACTOR SHALL TAKE CARE TO COMPLETELY COVER ALL BOOK STACKS AND OTHER FURNITURE WITH PLASTIC WHEN WORKING IN THESE AREAS.

REVISION	DATE	BY
A	ISSUED FOR REVIEW	1/29/13 LCM/LJK
B	FINAL ISSUE FOR REVIEW	2/8/13 LCM/LJK

PROJECT NO.	DATE	DATE	DATE
1260F	1/29/13	2/8/13	

PROJECT NO.	DATE	DATE	DATE
1260F	1/29/13	2/8/13	