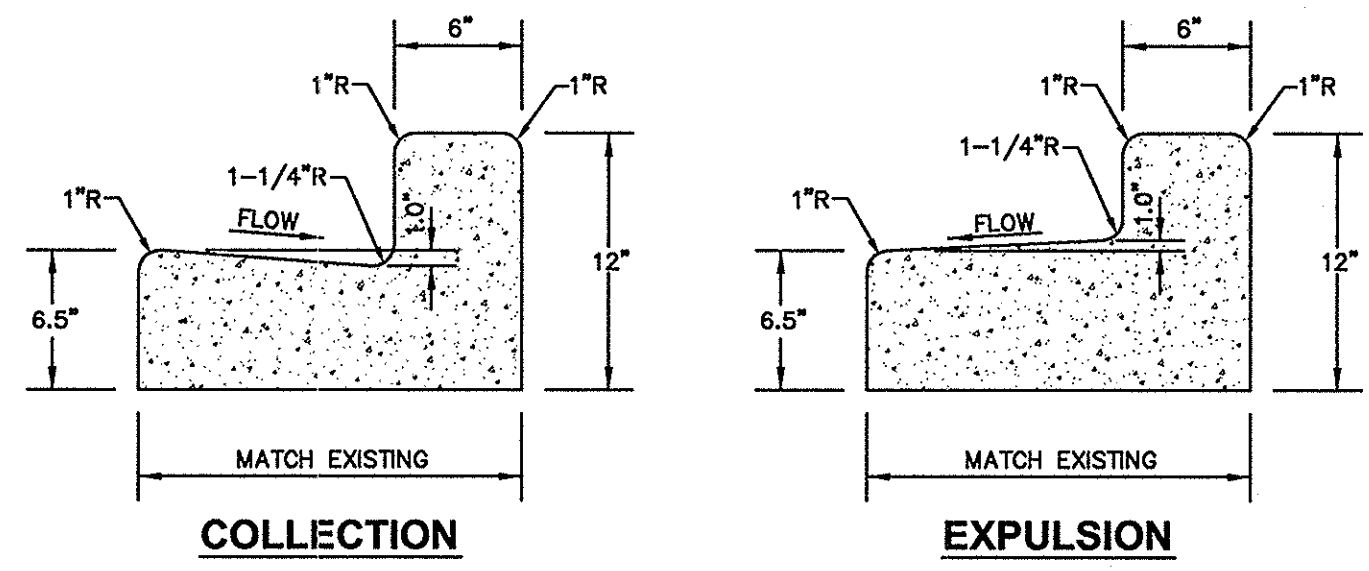


NO.	DATE	REVISIONS DESCRIPTION

UNIVERSITY OF SOUTH CAROLINA
Facilities Design and Construction
743 Green Street
Columbia, SC 29208
803.777.5811
PROJECT CONTACT:
Fred Scott
864.503.5538

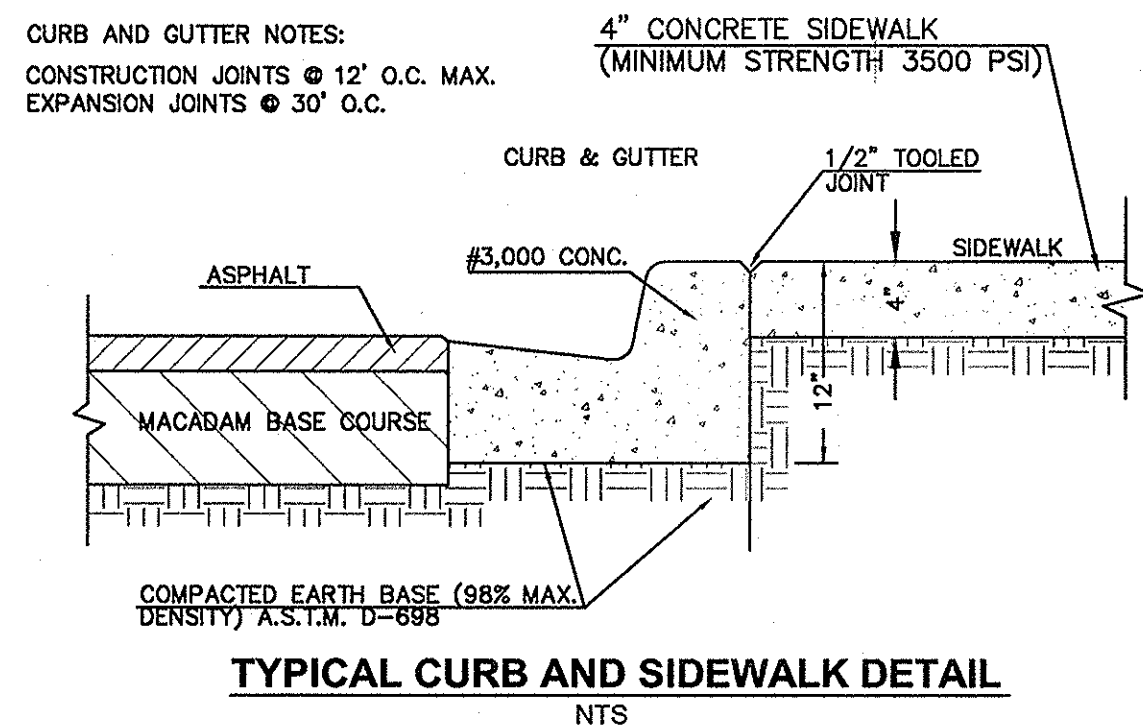
PROJECT:
**UNIVERSITY OF SOUTH CAROLINA - UPSTATE
CAMPUS ENTRANCE AND INFRASTRUCTURE**
H34-9530
LOCATED NEAR SPARTANBURG
SPARTANBURG COUNTY, SOUTH CAROLINA
DETAIL SHEET

TMS	BOOK	Y88-24-27	SF NO.
	PROJECT NO.	1693	SHEET NO.
	DATE	04/08/2013	C4 of 5



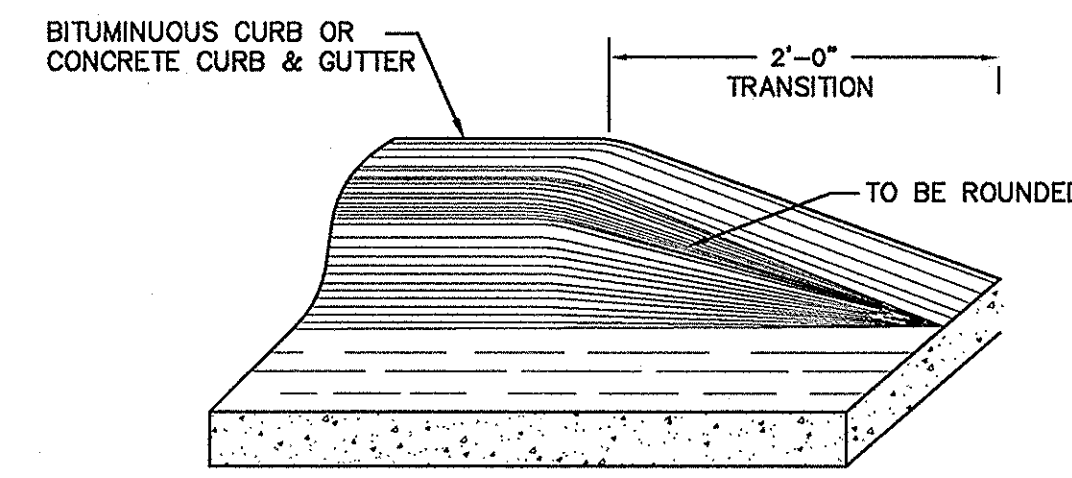
"L" TYPE CURB AND GUTTER

NTS
Min. Concrete Strength = 3000 p.s.i.



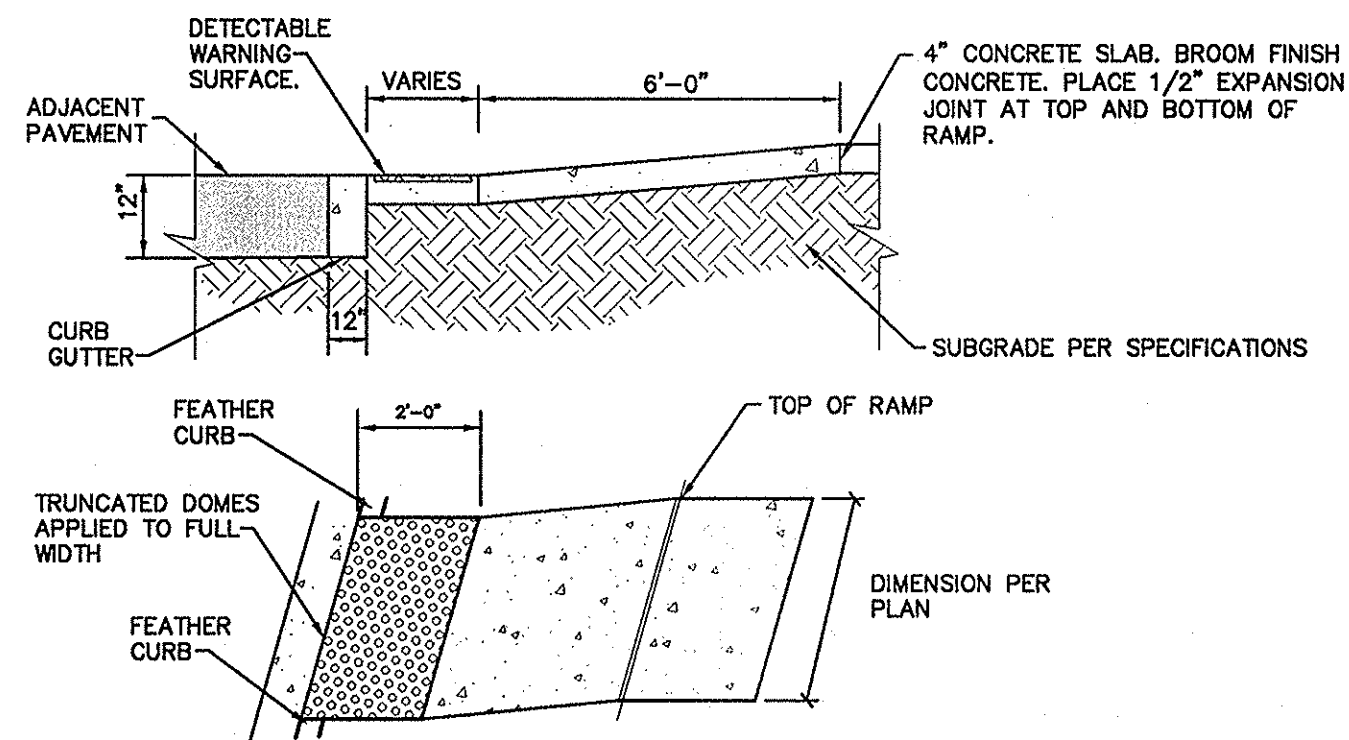
TYPICAL CURB AND SIDEWALK DETAIL

NTS



FEATHERING CURB AND GUTTER DETAIL

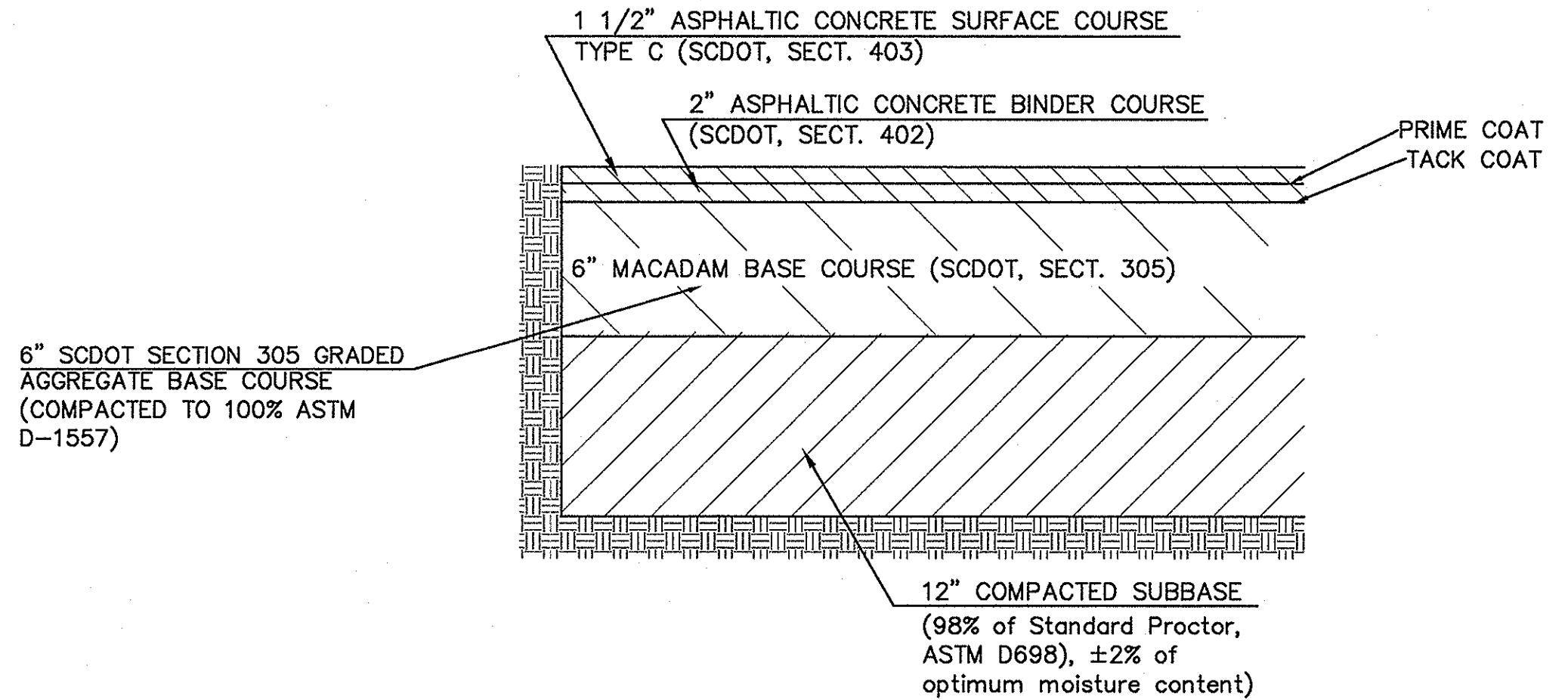
NTS



ACCESSIBLE CURB RAMP

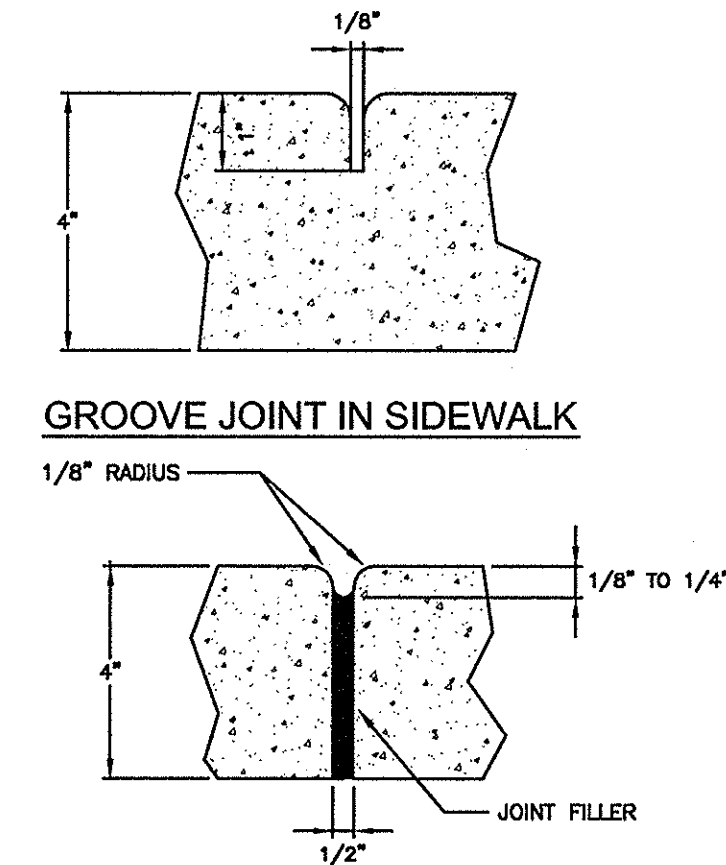
NTS

NOTES:
1. PER FEDERAL REGULATION 28 CFR PART 36, RAMP TO HAVE MAXIMUM RUNNING SLOPE OF 1:12 AND MAXIMUM CROSS SLOPE OF 1:50 IN AS-BUILT CONDITION. SEE GRADING PLAN FOR DESIGN SLOPE AND SPOT ELEVATIONS.
2. CONTRACTOR SHALL VERIFY AND USE CAMPUS STANDARD PRIOR TO CONSTRUCTION.



STANDARD DUTY ASPHALT PAVEMENT SECTION

CONTRACTOR TO VERIFY WITH OWNER'S GEOTECHNICAL ENGINEER PRIOR TO CONSTRUCTION
NTS

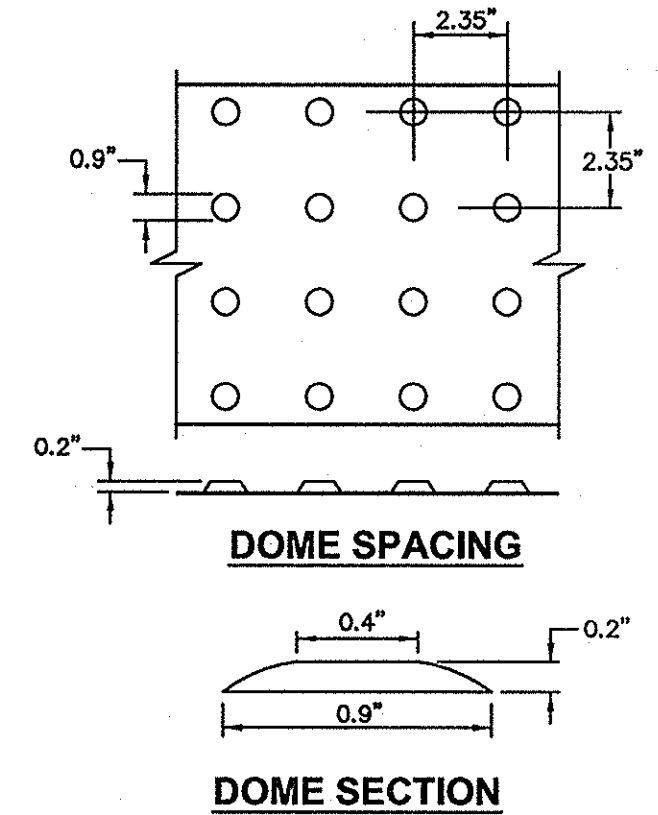


GROOVE JOINT IN SIDEWALK

TRANSVERSE EXPANSION JOINT IN SIDEWALK

GENERAL NOTES:

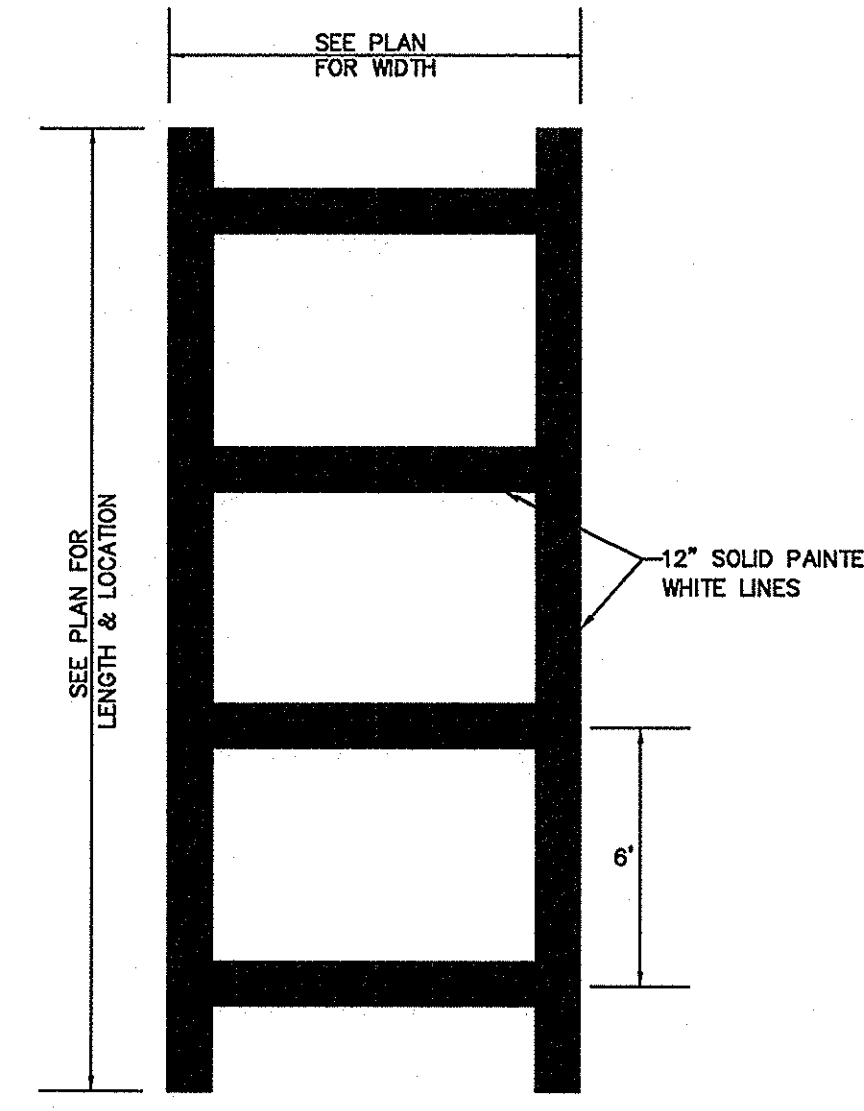
- A GROOVE JOINT 1" DEEP WITH 1/8" RADII SHALL BE REQUIRED IN THE CONCRETE SIDEWALK AT 6' INTERVALS. ONE 1/2" EXPANSION JOINT WILL BE REQUIRED AT 30' INTERVALS NOT TO EXCEED 50' AND MATCHING EXPANSION/CONSTRUCTION JOINT IN ADJACENT CURB. A SEALED 1/2" EXPANSION JOINT WILL BE REQUIRED WHERE THE SIDEWALK JOINS ANY RIGID STRUCTURE.
- SIDEWALK AT DRIVEWAY ENTRANCES TO BE 6" THICK.
- CONCRETE COMPRESSIVE STRENGTH SHALL BE 3000 P.S.I. IN 28 DAYS.



DETECTABLE WARNING DOME

NTS

NOTE: DETECTABLE WARNING SURFACE SHALL CONTRAST VISUALLY WITH THE ADJOINING SURFACE AND SHALL BE INTEGRAL TO THE WALKING SURFACE. DETECTABLE SURFACES SHALL DIFFER FROM ADJACENT SURFACES IN RESILIENCY OR SOUND-ON-CANE CONTACT.
FOR ADDITIONAL INFORMATION ON ADA DETECTABLE WARNING DOME, CONTRACTOR CAN REFER TO THE FOLLOWING WEB SITE FOR MANUFACTURERS INFORMATION:
www.accessforblind.org/dw_manufacturers.html



CROSSWALK DETAIL

N.T.S.