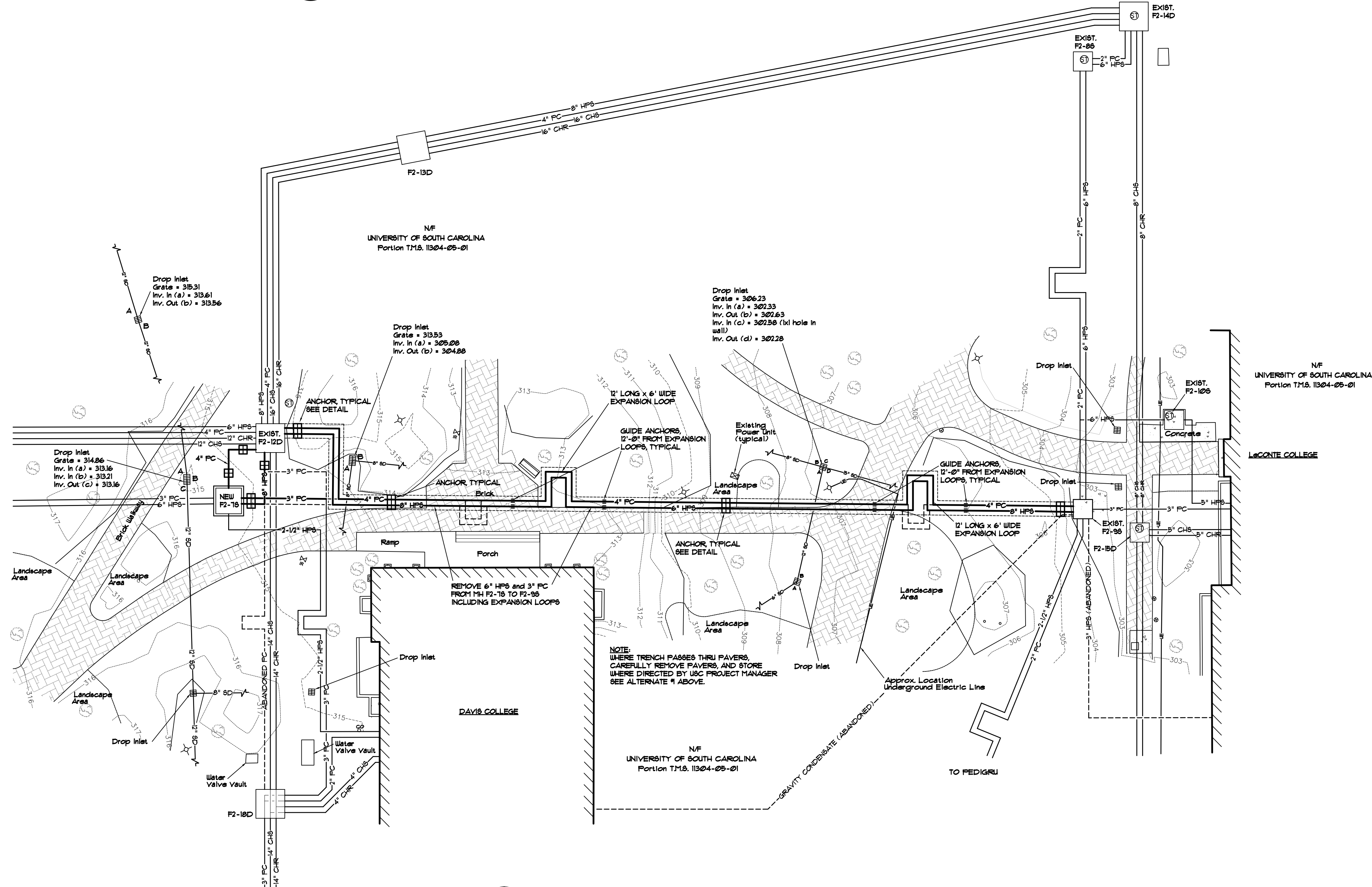


LOCATION MAP

ALTERNATE

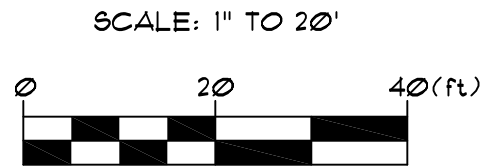
ALTERNATE NO. 1: RE-LAY ALL BRICK PAVERS FROM STORED LOCATION THAT WERE REMOVED AND STORED DURING CONSTRUCTION, INCLUDING A 2" CONSTRUCTION SAND BEDDING FOR PLACEMENT. REPLACE SOD WERE NEEDED.

- GENERAL NOTES**
- DO NOT SCALE DRAWINGS. VERIFY ALL REQUIRED INFORMATION IN FIELD BY VISITING SITE PRIOR TO SUBMITTING BID.
 - DIMENSIONS ARE IN INCHES UNLESS OTHERWISE NOTED.
 - WHENEVER THE WORD "PROVIDE" IS USED IT SHALL MEAN FURNISH AND INSTALL COMPLETE AND READY FOR USE.
 - ALL OPENINGS THRU EXISTING STRUCTURES SHALL BE CORE DRILLED.
 - PROVIDE ALL ITEMS OF MISCELLANEOUS STEEL AS REQUIRED FOR INSTALLATION OF ALL MECHANICAL ITEMS.
 - PROVIDE FOR ACCESS TO ALL MECHANICAL ITEMS REQUIRING CLEANING OR ADJUSTMENT.
 - PIPING SHALL BE KEPT CLEAN OF DEBRIS DURING INSTALLATION.
 - SEE SECTION 23 00 00 MECHANICAL, GENERAL FOR BACK FILLING AND PATCHING.
 - ALL WORK INCLUDED IN DIVISION 23 SHALL COMPLY WITH THE 2012 INTERNATIONAL BUILDING CODES.
 - PROVIDE MOMENT GUIDES FOR H.P. STEAM AND PUMPED CONDENSATE PER 2012 INTERNATIONAL BUILDING CODES.
 - CONTRACTOR SHALL BE RESPONSIBLE FOR DAMAGES CAUSED DURING CONSTRUCTION TO EXISTING TURF, LANDSCAPING, AND/OR PAVEMENT.
 - CONTRACTOR SHALL BE RESPONSIBLE FOR ALL TREE PROTECTION REQUIRED IN THE PROJECT AREA. SEE USC SUPPLEMENTAL CONDITIONS FOR CONSTRUCTION. COORDINATE WITH OWNER PRIOR TO CONSTRUCTION.
 - CONTRACTOR SHALL BE RESPONSIBLE FOR ANY AND ALL SILT FENCING REQUIRED IN THE PROJECT AREA TO PROTECT FROM SILT RUNOFF AND EROSION.
 - CONTRACTOR SHALL COORDINATE WITH USC ARBORIST FOR ANY TREE ROOT SYSTEM THAT MAY BE AFFECTED IN THE PROJECT AREA DURING CONSTRUCTION.



LEGEND OF SYMBOLS

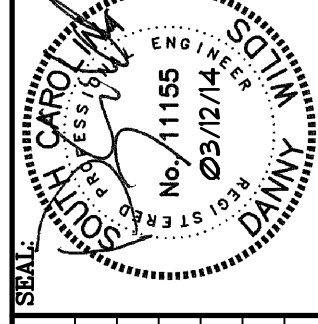
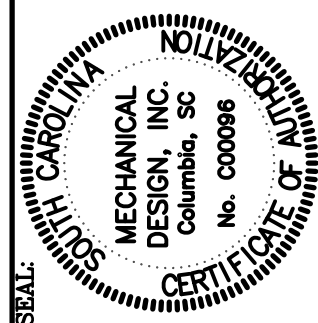
SYMBOL	DESCRIPTION
	EXISTING BUILDING
	EXISTING CONTOURS
	NEW H.P. STEAM LINE (100 PSIG)
	NEW PUMPED CONDENSATE LINE
	EXISTING H.P. STEAM LINE (100 PSIG)
	EXISTING H.P. STEAM LINE (100 PSIG)
	GATE VALVE (NEW WHERE SHOWN IN NEW PIPES)
	NEW TRENCH CORRIDOR
	NEW PIPE ANCHOR, SEE DETAIL
	EXISTING CHILLED WATER SUPPLY PIPE
	EXISTING CHILLED WATER RETURN PIPE
	EXISTING STORM DRAIN MANHOLE
	EXISTING STORM DRAIN LINE W/CATCH BASIN
	EXISTING WATER HYDRANT
	EXISTING UNDERGROUND WATER LINE
	EXISTING WATER MANHOLE
	EXISTING SEWER LINE
	EXISTING SEWER MANHOLE
	EXISTING SANITARY SEWER LINE
	EXISTING TELEPHONE/COMMUNICATIONS MANHOLE
	EXISTING UNDERGROUND TELEPHONE
	EXISTING ELECTRIC HAND HOLE
	EXISTING ELECTRIC PEDESTAL
	EXISTING UNDERGROUND ELECTRIC
	EXISTING GAS MANHOLE
	EXISTING UNDERGROUND FIBER OPTICS CONDUIT
	EXISTING FIBER OPTICS MANHOLE/HAND HOLE
	EXISTING UNDERGROUND GAS
	EXISTING TREE
	CONNECTION FROM NEW TO EXISTING



MECHANICAL SITE PLAN
SCALE: 1" = 20'-0"

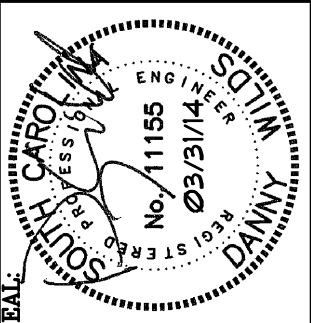
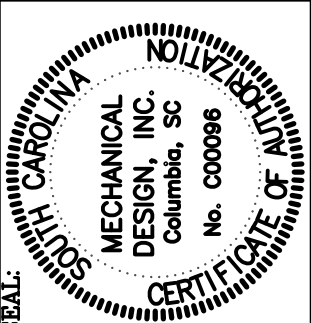
MECHANICAL DESIGN INC.
4403 Broad River Road
Columbia, S.C. 29210
(803) 731-9834
(803) 731-9837 FAX
CONTACT: Danny Wilds
DATE: 03/12/14 COMM. NO. 143084

CAMPUS PLANNING AND CONSTRUCTION
COLUMBIA, SC 29208



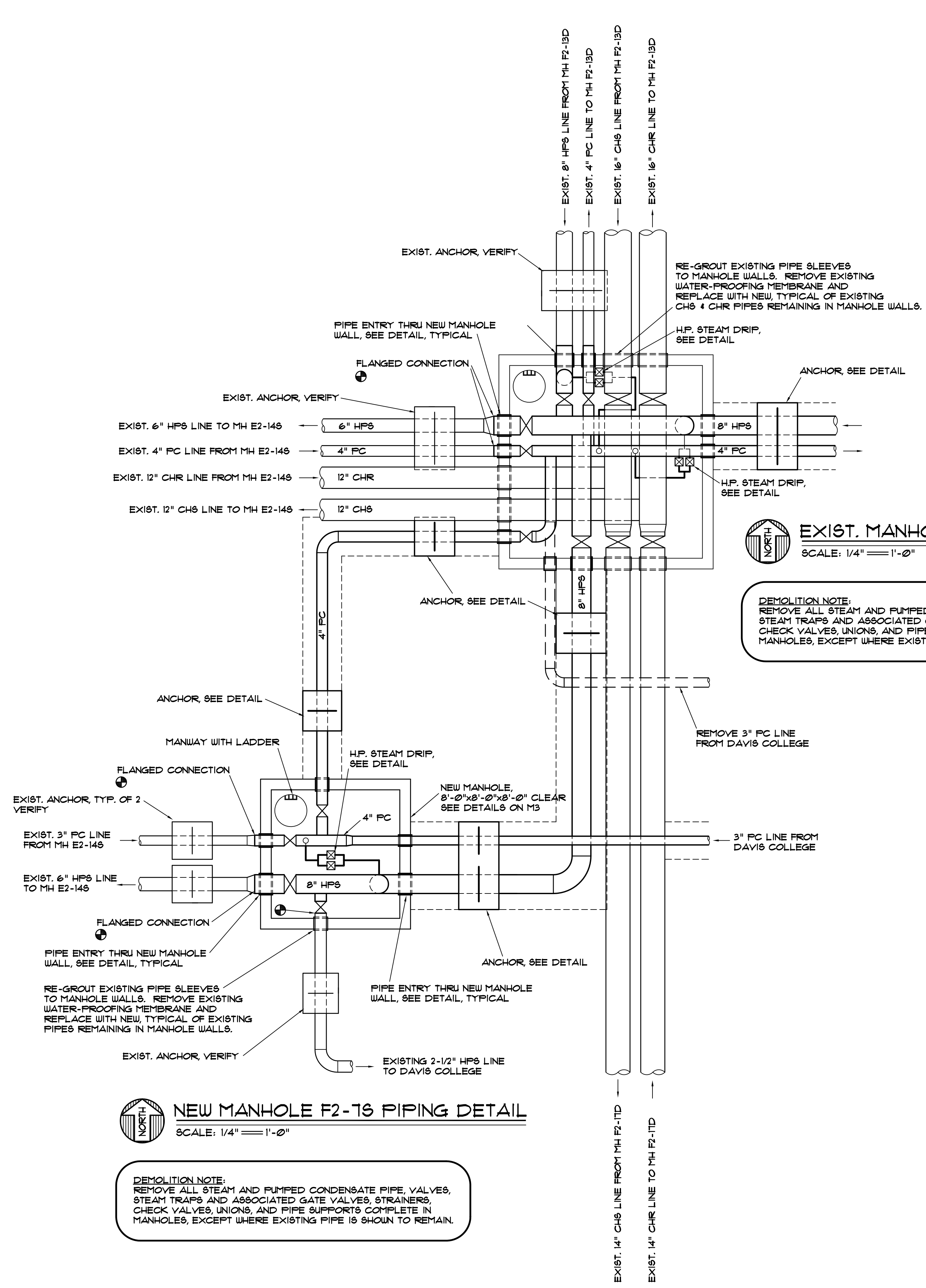
DATE	DESCRIPTION	BY
10OCT13	DRAWING	CDW
M1-133030	DRYING	CDW
	CHECKED BY	CDW
	ORIG. BY	CDW
	DATE	

PROJECT TITLE: CRF DM STEAM and CONDENSATE LINE REPLACEMENT (MH-F2-9S TO MH-F2-12D)
State Project No. H27-6094
University of South Carolina



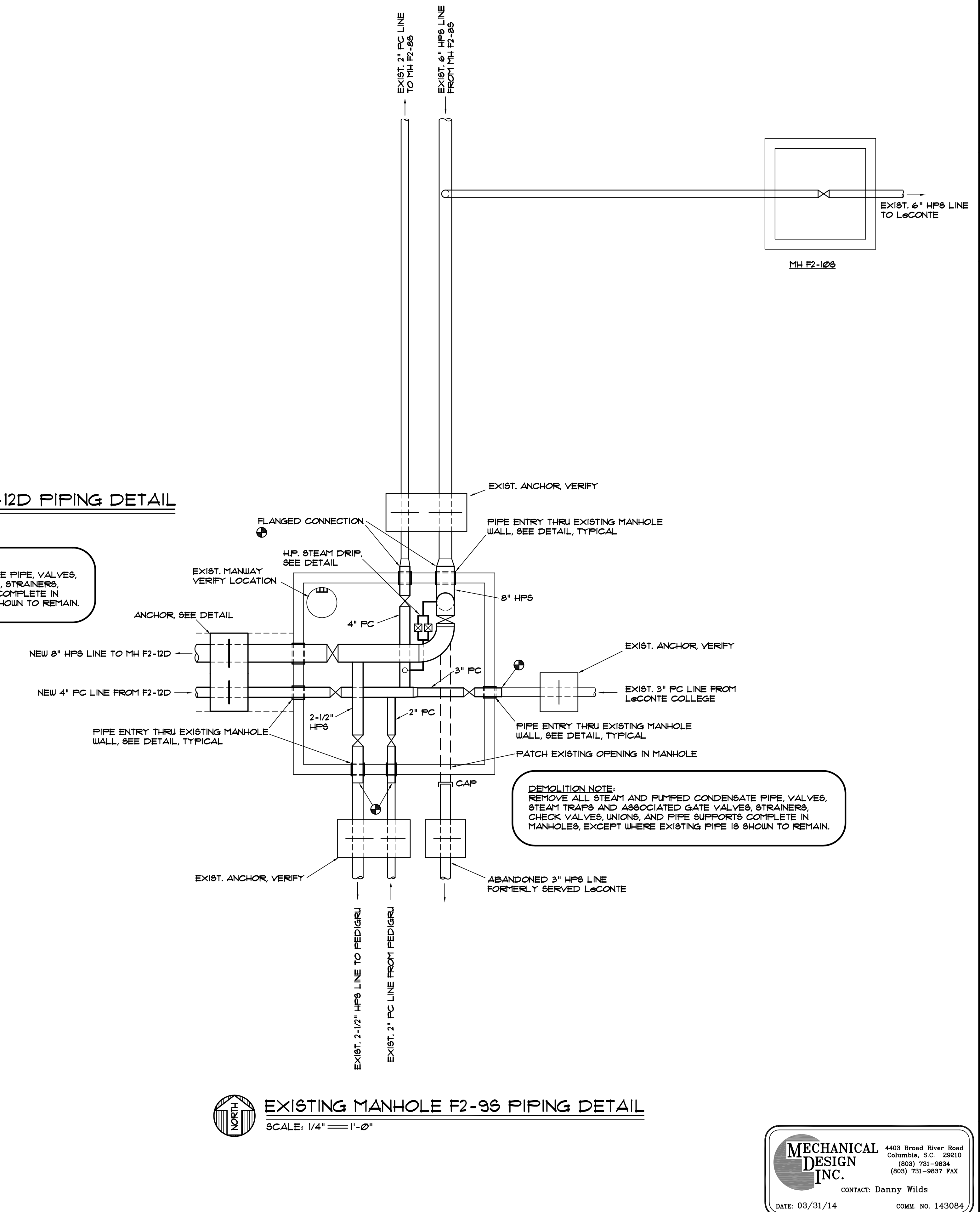
DATE	DESCRIPTION	BY	DATE	DESCRIPTION	BY
31 MAR 14		CDW			CDW
		ORIG. BY			ORIG. BY
		DATE			DATE

PROJECT TITLE: CRF DM STEAM and CONDENSATE LINE REPLACEMENT (MH-F2-9S TO MH-F2-12D)
State Project No. H27-6094
University of South Carolina



EXIST. MANHOLE F2-12D PIPING DETAIL
SCALE: 1/4" = 1'-0"

DEMOLITION NOTE:
REMOVE ALL STEAM AND PUMPED CONDENSATE PIPE, VALVES, STEAM TRAPS AND ASSOCIATED GATE VALVES, STRAINERS, CHECK VALVES, UNIONS, AND PIPE SUPPORTS COMPLETE IN MANHOLES, EXCEPT WHERE EXISTING PIPE IS SHOWN TO REMAIN.



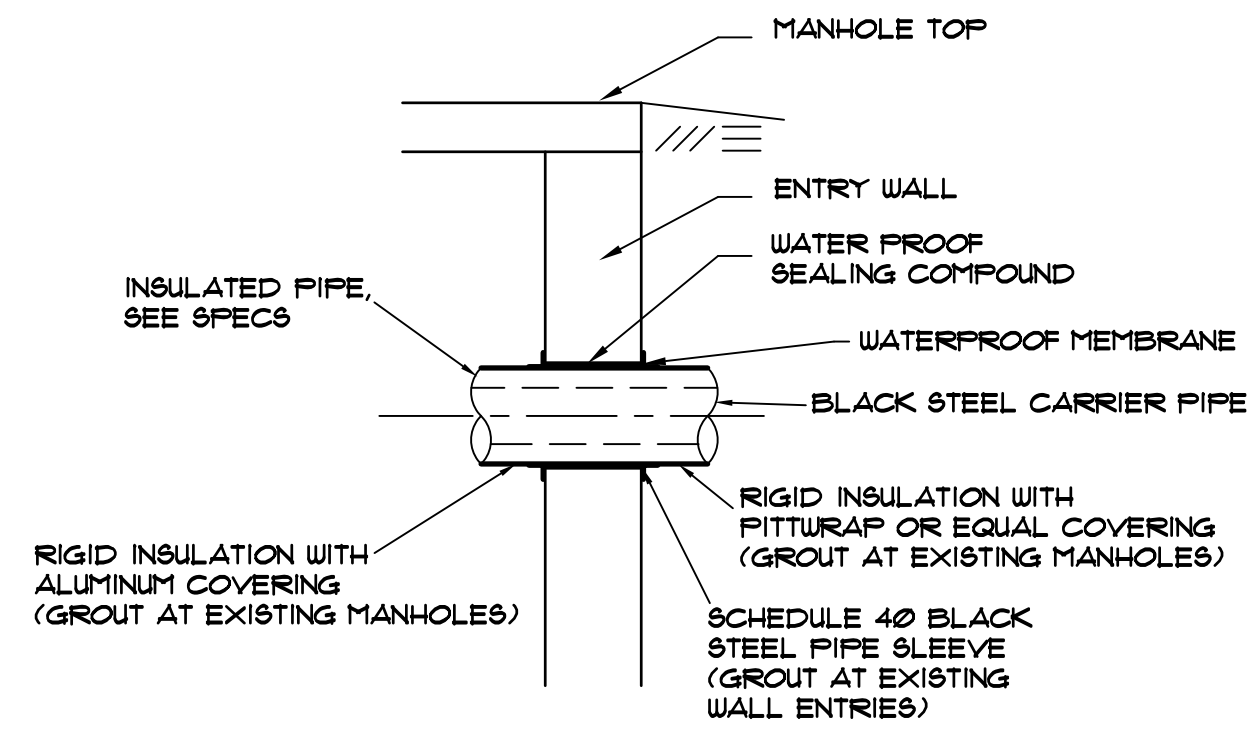
EXISTING MANHOLE F2-9S PIPING DETAIL
SCALE: 1/4" = 1'-0"

DEMOLITION NOTE:
REMOVE ALL STEAM AND PUMPED CONDENSATE PIPE, VALVES, STEAM TRAPS AND ASSOCIATED GATE VALVES, STRAINERS, CHECK VALVES, UNIONS, AND PIPE SUPPORTS COMPLETE IN MANHOLES, EXCEPT WHERE EXISTING PIPE IS SHOWN TO REMAIN.

NEW MANHOLE F2-16 PIPING DETAIL
SCALE: 1/4" = 1'-0"

DEMOLITION NOTE:
REMOVE ALL STEAM AND PUMPED CONDENSATE PIPE, VALVES, STEAM TRAPS AND ASSOCIATED GATE VALVES, STRAINERS, CHECK VALVES, UNIONS, AND PIPE SUPPORTS COMPLETE IN MANHOLES, EXCEPT WHERE EXISTING PIPE IS SHOWN TO REMAIN.

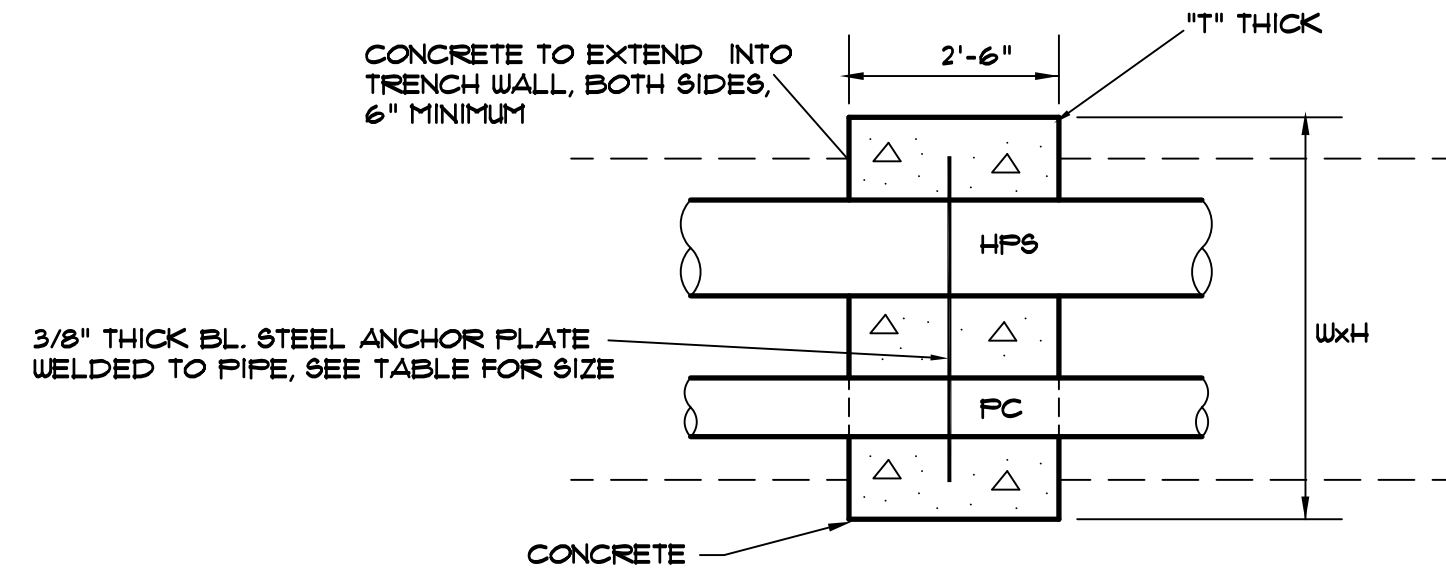
MECHANICAL DESIGN INC.
4403 Broad River Road
Columbia, S.C. 29210
(803) 731-9834
(803) 731-9837 FAX
CONTACT: Danny Wilds
DATE: 03/31/14
COMM. NO. 143084



PIPE ENTRY DETAIL

NOT TO SCALE

NOTE:
INCREASE EXISTING PIPE PENETRATIONS AS REQUIRED FOR LARGER PIPES AND INCREASED INSULATION THICKNESSES. SEE SPECIFICATIONS FOR PIPE INSULATION AND COVERING.

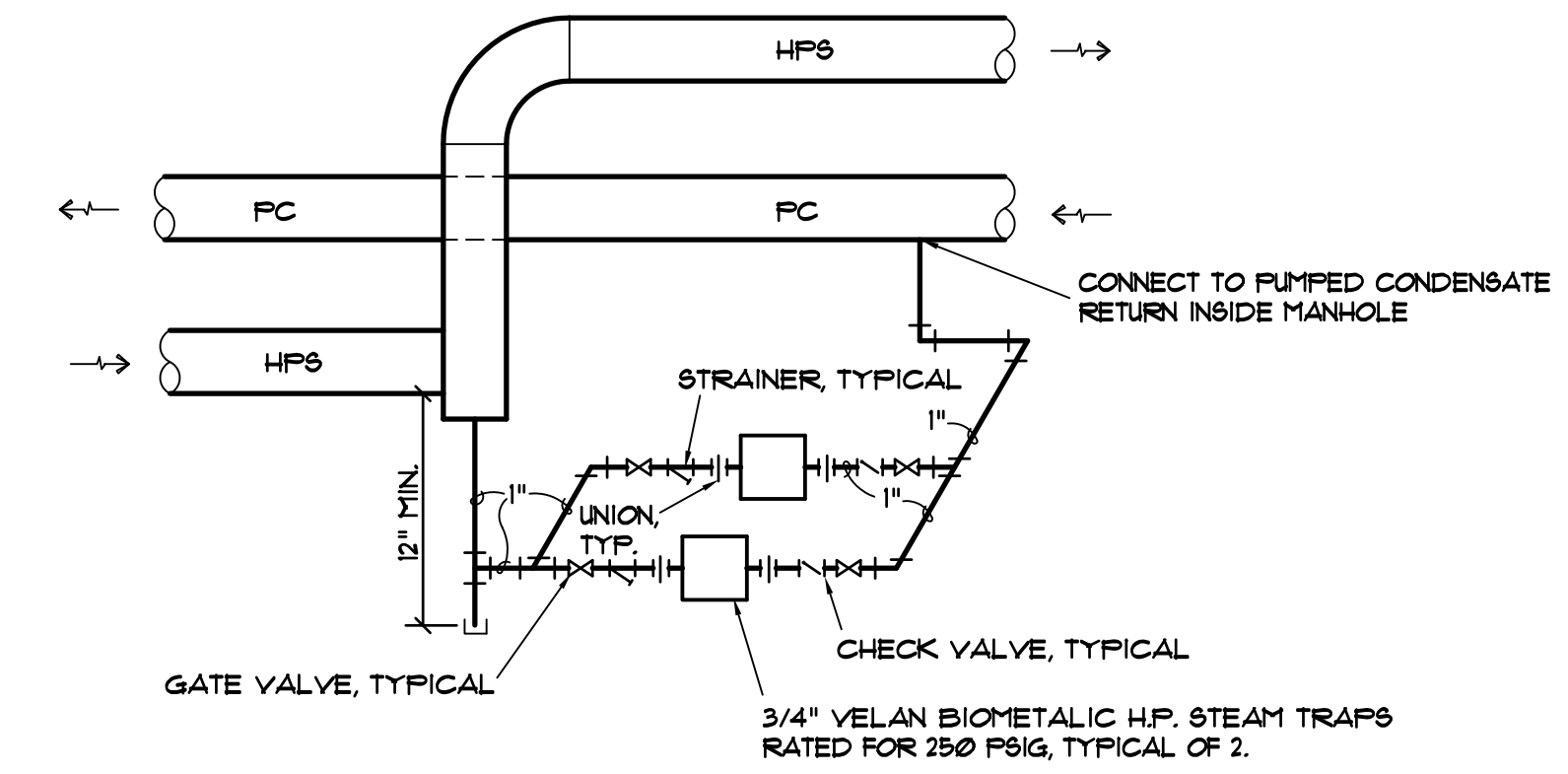


PIPE ANCHOR DETAIL

NOT TO SCALE

NOTE: ANCHORS SHALL BE WITHIN 36" OF MANHOLES AND HAND HOLES.

STEAM/PUMPED COND.	PLATE SIZE	W	H
8" HP8/4" FC	46"W x 24"H	58"	36"
8" HP8	26"W x 24"H	38"	36"
4" FC	20"W x 24"H	32"	36"



HIGH PRESSURE STEAM DRIP

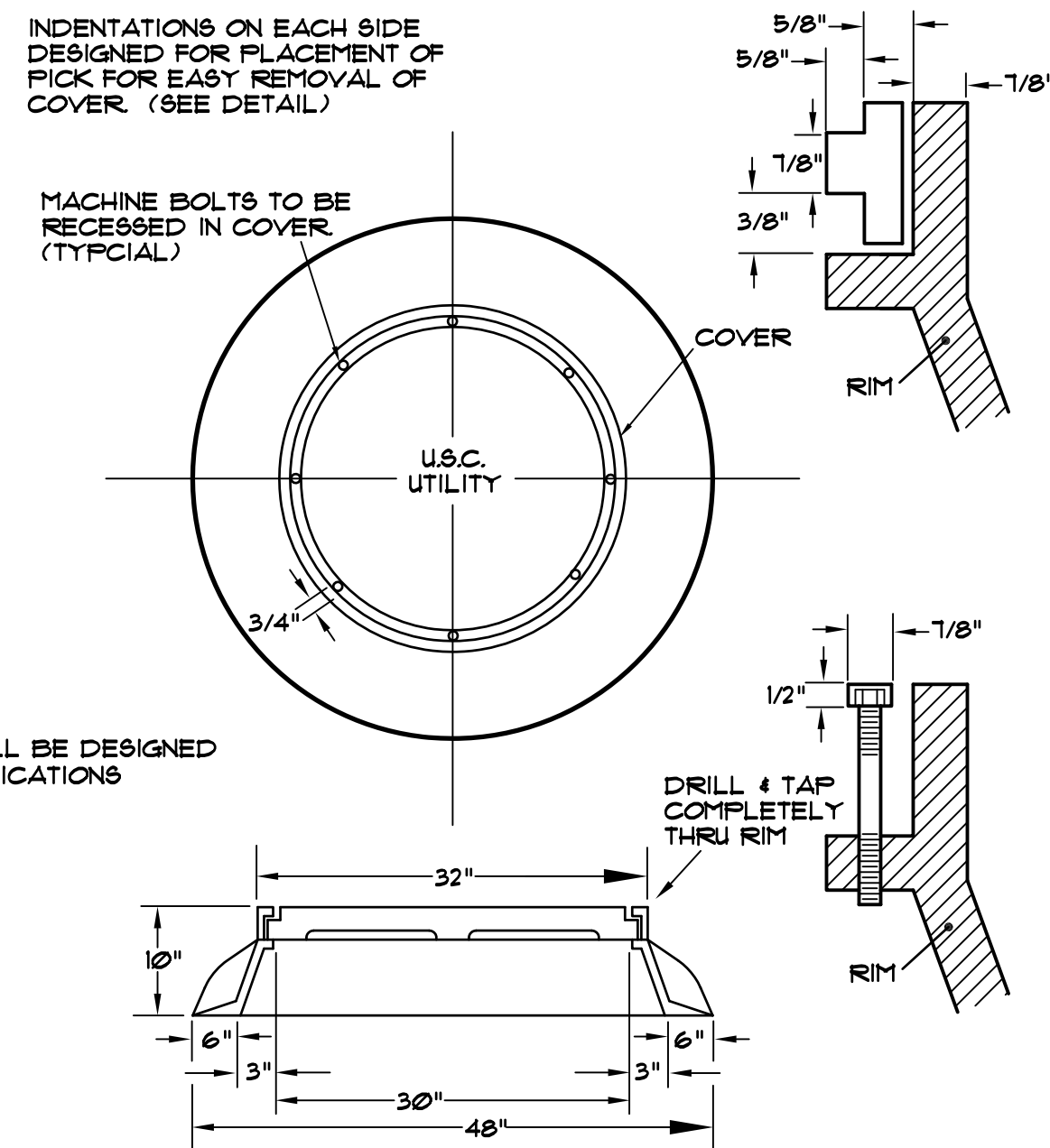
SCHEMATIC

HAND HOLE RING NOTES

- RING AND COVER SHALL BE KEYPED FOR ALIGNMENT.
- SECURE TOP WITH 6 3/4"X REQUIRED LENGTH BRASS MACHINE BOLTS.
- MINIMUM WEIGHT 115 POUNDS, RING & COVER.
- EAST JORDAN IRON WORKS CAT. #1825.
- ACCESS COVER ELEVATION SHALL BE ADJUSTABLE.

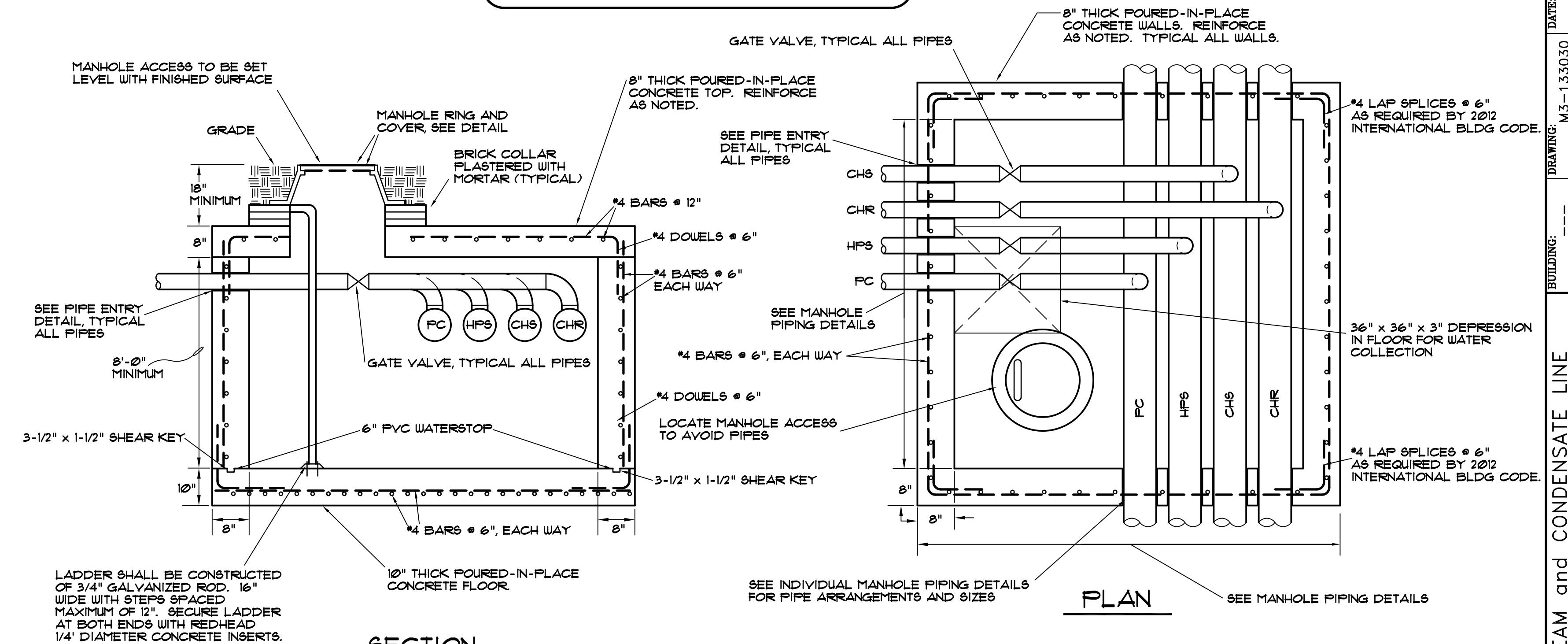
MANHOLE CONSTRUCTION NOTES:

- ALL CONCRETE SHALL BE 3,000 PSI MIN.
- SHIFT REINFORCING AS REQUIRED TO AVOID PIPING AND KEEP 6" SPACING.
- PROVIDE MIN. 3" CLEARANCE ALL SIDES OF REBAR FOR CONCRETE PLACEMENT.



MANHOLE COVER DETAIL

NOT TO SCALE



SECTION

PLAN

TYPICAL MANHOLE CONSTRUCTION DETAIL

NOT TO SCALE

NOTE: AVOID EXISTING PIPING, SEE PARTIAL MECHANICAL SITE PLANS.

CAMPUS PLANNING
AND CONSTRUCTION
COLUMBIA, SC 29208

MECHANICAL DESIGN, INC.
COLUMBIA, SC
No. C00086
CERTIFICATE OF QUALITY

MECHANICAL DESIGN, INC.
COLUMBIA, SC
No. 11155
3/23/14
DATE

DATE	DESCRIPTION	BY	DATE	BY
31 MAR 14		CDW		CDW
M3-133030		CDW		CDW

PROJECT TITLE: CRF DM STEAM and CONDENSATE LINE REPLACEMENT (MH-F2-9S TO MH-F2-12D)

State Project No. H27-6094

University of South Carolina

M3
3 OF 3
SHEET IN SET.

MECHANICAL DESIGN, INC.

4403 Broad River Road
Columbia, S.C. 29210
(803) 731-8834
(803) 731-8837 FAX

CONTACT: Danny Wilds
DATE: 03/31/14 COMM. NO. 143084