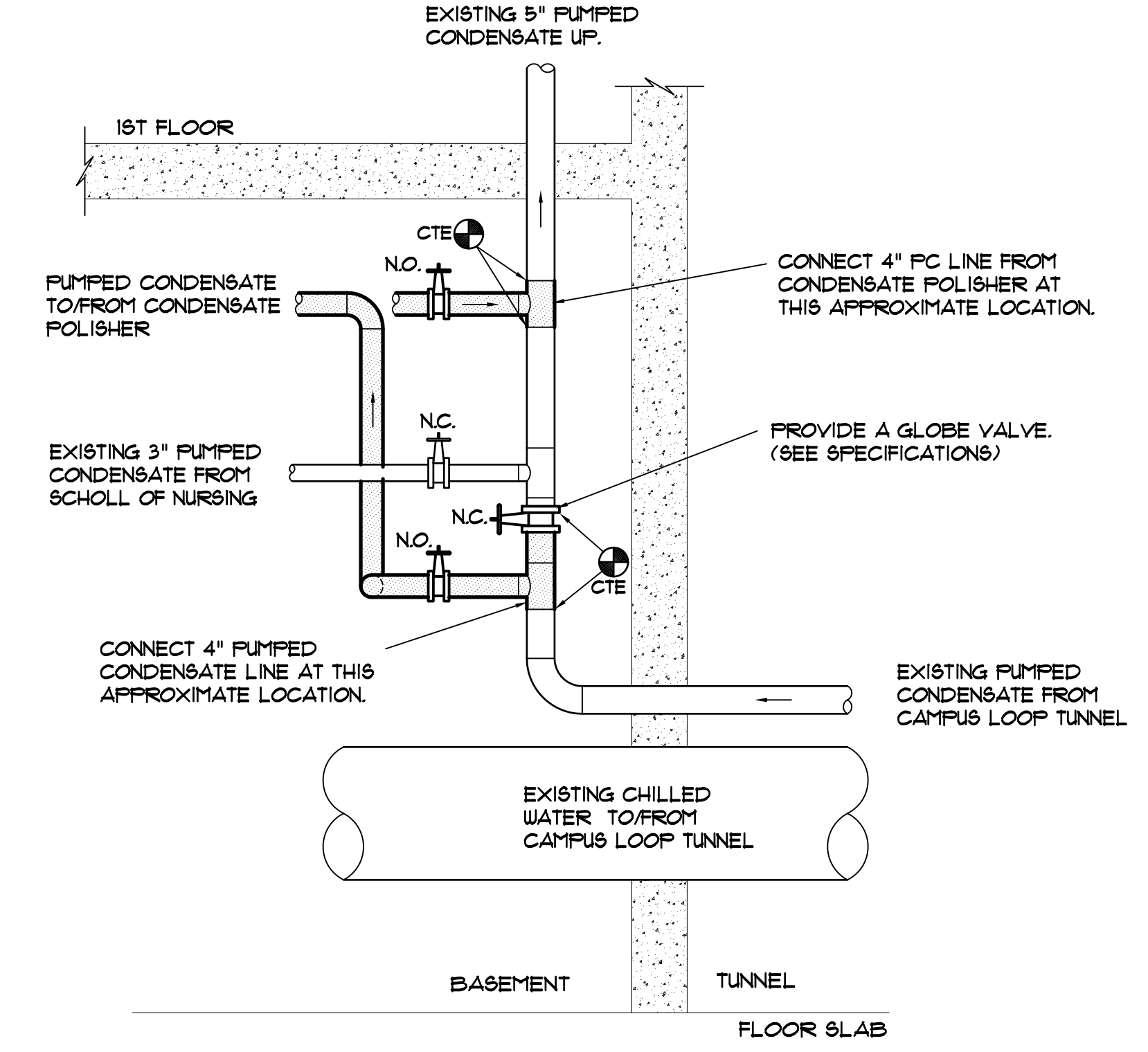
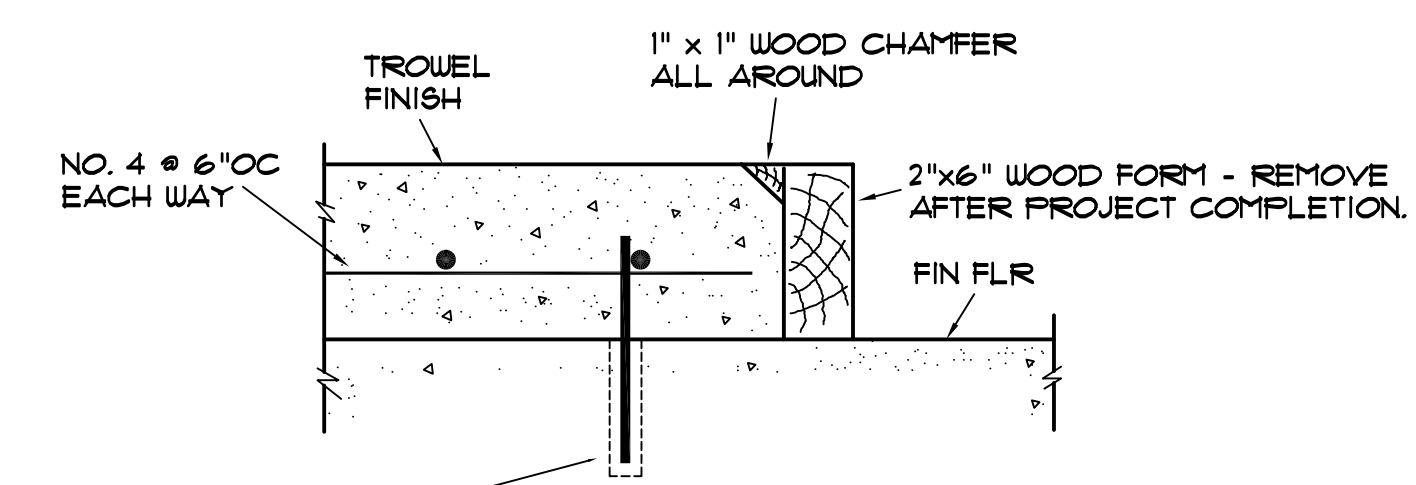


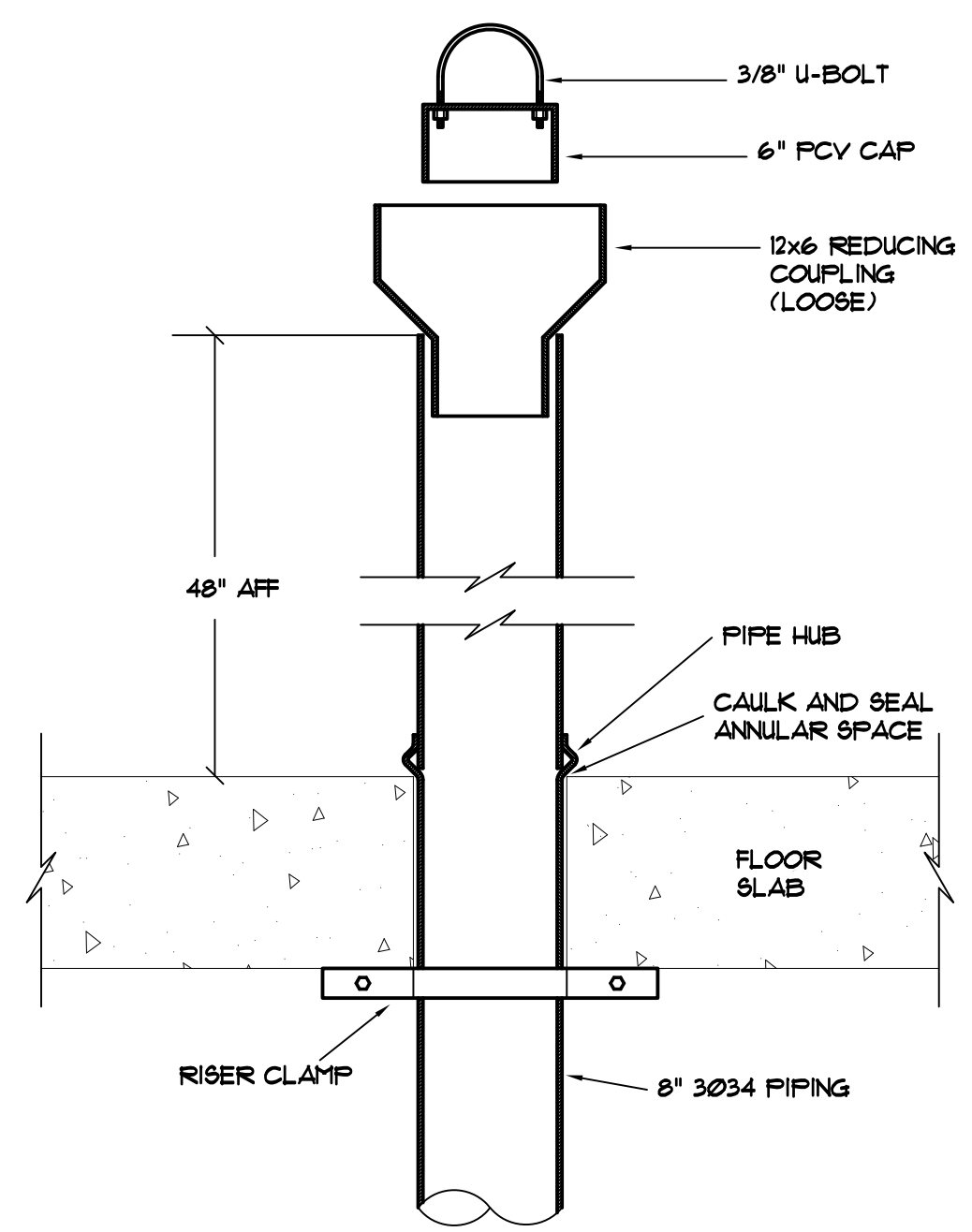
MECHANICAL FLOOR PLAN - EQUIP. ROOM
SCALE: 1/8" = 1'-0" FIRST LEVEL



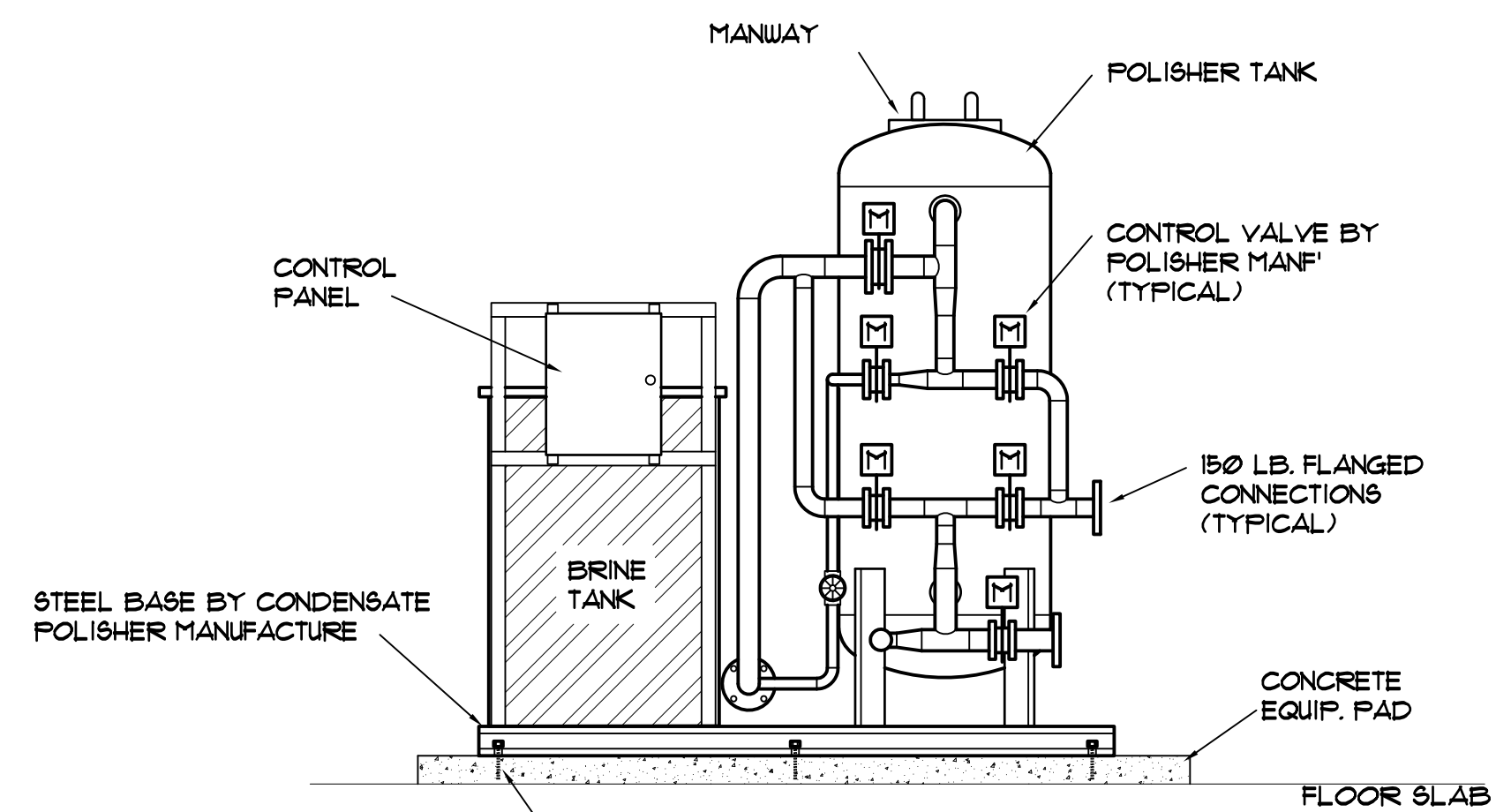
EXISTING PC RISER
NOT TO SCALE



CONCRETE PAD DETAIL
NOT TO SCALE

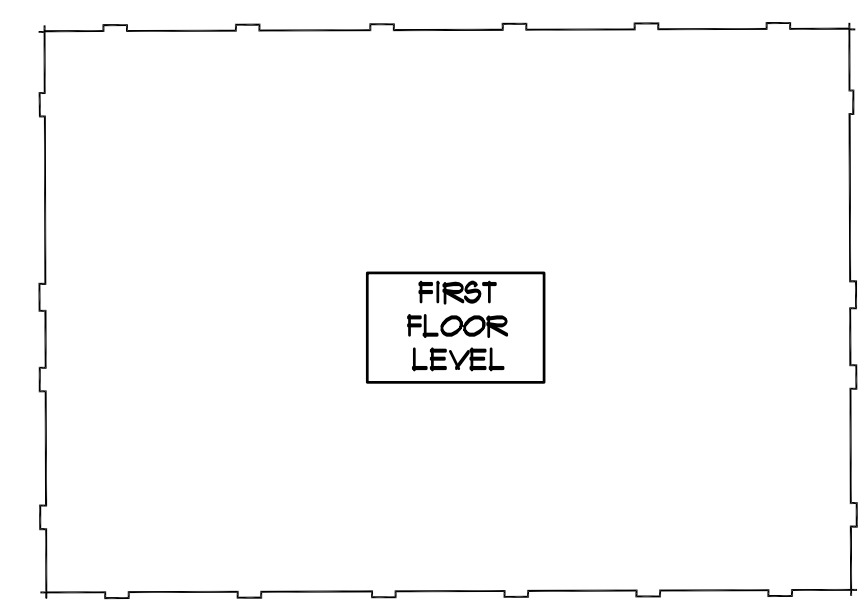


SALT SHOOT DETAIL
NOT TO SCALE



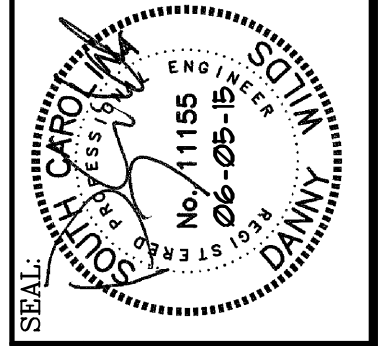
SKID MOUNTED CONDENSATE POLISHER
NOT TO SCALE

- POLISHER NOTES**
- POLISHER DETAIL IS FOR REFERENCE ONLY. REFER TO MANUFACTURER'S ISSUED DRAWINGS AND PUBLISHED INSTALLATION INSTRUCTIONS.
 - ROUTE BLOWDOWN AND DRAINAGE PIPING FROM POLISHER TO FLOOR DRAIN.



KEY PLAN
NO SCALE

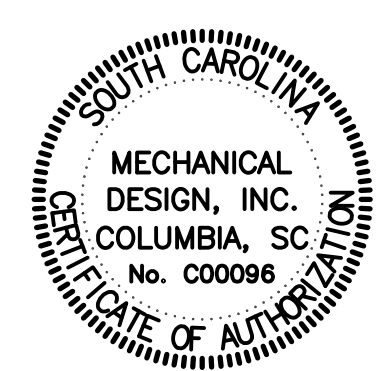
OFFICE OF
FACILITIES MANAGEMENT
COLUMBIA, SC 29208



SEAL:	CDU
CHECKED BY:	ORIG. BY/DRAWN BY
DATE:	DATE
DESCRIPTION:	
REV.	

PROJECT TITLE: EAST ENERGY PLANT - PURCHASE & INSTALL CONDENSATE POLISHING SYSTEM
S.C. STATE PROJ. NO. H27-Z215
University of South Carolina

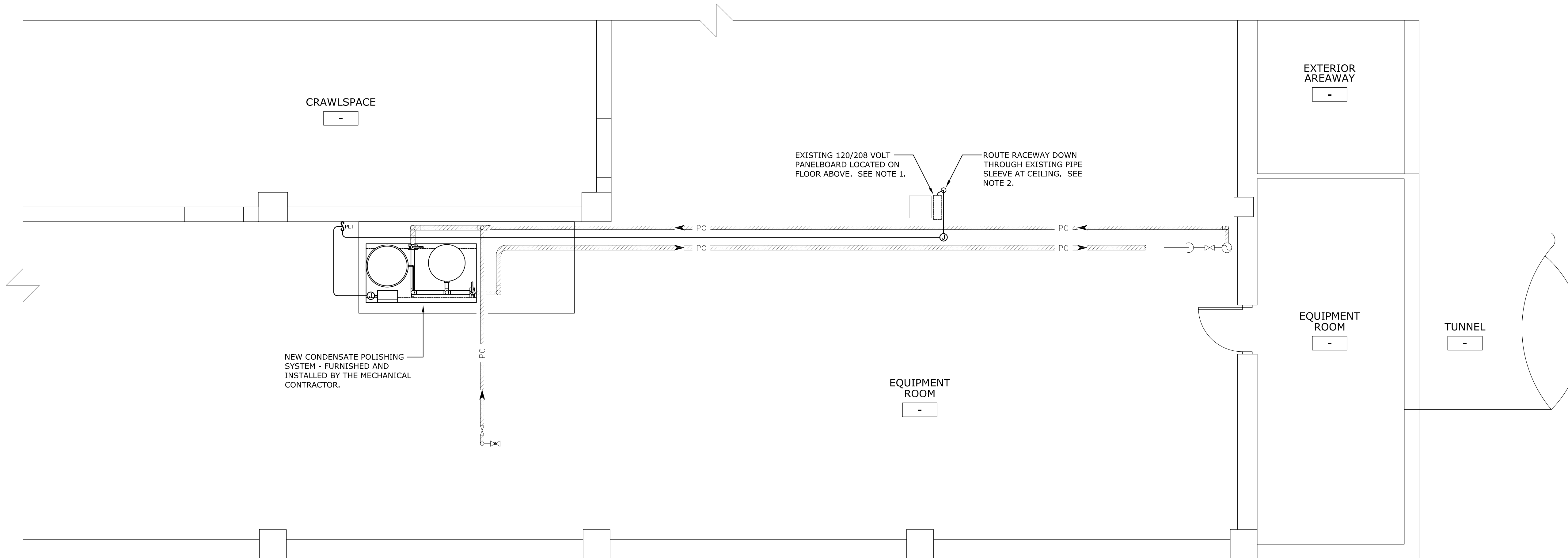
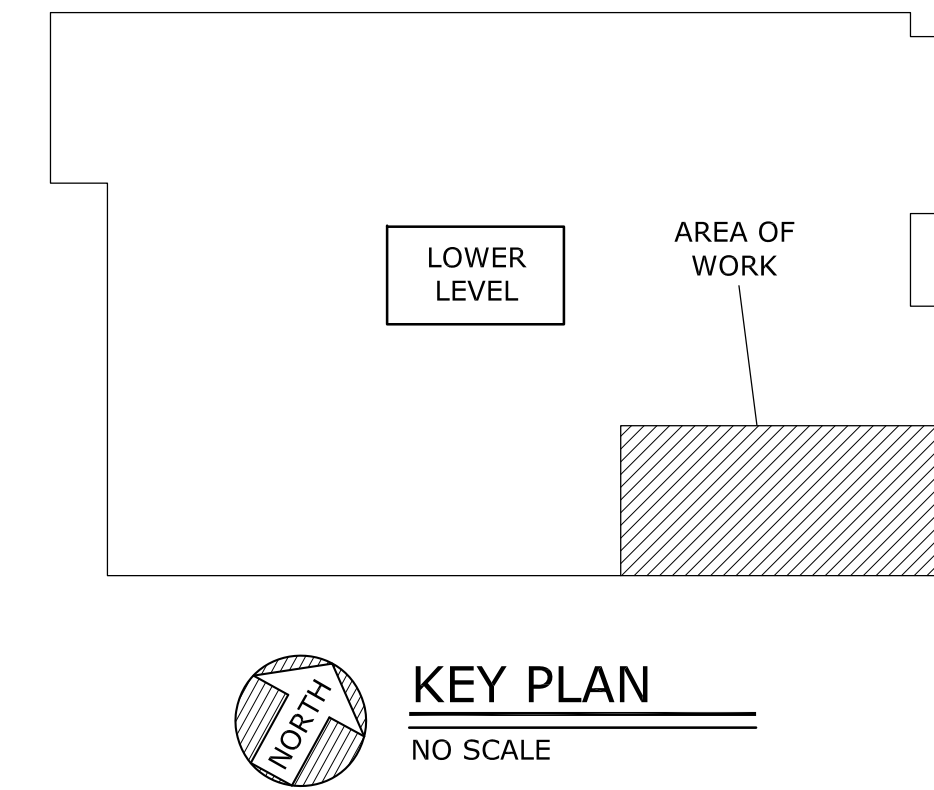
SHEET: M2 - OF 2
SHEET IN SET: OF



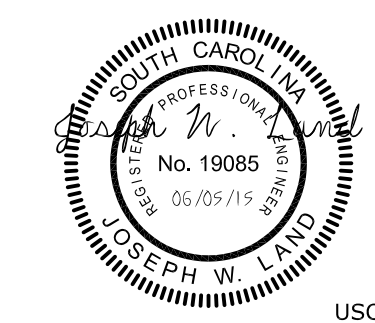
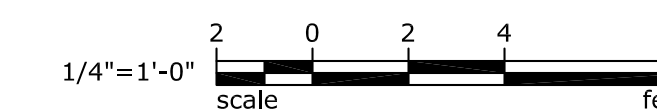
MECHANICAL DESIGN, INC.
4403 Broad River Road
Columbia, S.C. 29210
(803) 731-9834
(803) 731-9837 FAX
CONTACT: JUSTIN VARCO
DATE: 06/05/15 COMM. NO. 153210

ELECTRICAL LEGEND	
SYMBOL	DESCRIPTION
	EXISTING PANELBOARD - TO REMAIN IN PLACE.
	SINGLE-POLE TOGGLE SWITCH RATED 20 AMPS, 120 VOLTS WITH PILOT LIGHT (PROVIDE PASS & SEYMOUR #PS20AC1RPL OR EQUAL). PILOT LIGHT SHALL BE "LIGHTED WHEN ON". PROVIDE A CAST METAL BACKBOX FOR SWITCH WITH GASKETED SWITCH-TYPE METAL COVERPLATE.
	CAST METAL JUNCTION BOX WITH GASKETED SCREW COVER - CEILING MOUNTED. SUPPORT BOX IN ACCORDANCE WITH THE NATIONAL ELECTRICAL CODE.
	CAST METAL JUNCTION BOX WITH GASKETED SCREW COVER - UNIT MOUNTED. SUPPORT BOX IN ACCORDANCE WITH THE NATIONAL ELECTRICAL CODE.

- | ELECTRICAL NOTES | |
|------------------|--|
| 1. | PANELBOARD "G-1": EXISTING PANELBOARD IS A GENERAL ELECTRIC LOAD CENTER. PROVIDE ONE 20-AMP RATED, SINGLE-POLE, GROUND FAULT INTERRUPT TYPE CIRCUIT BREAKER IN A BLANK SPACE OF PANELBOARD TO SERVE CONTROL POWER TO NEW CONDENSATE POLISHER SYSTEM. UPDATE EXISTING PANELBOARD LOAD SCHEDULE TO REFLECT ADDED LOAD. |
| 2. | CONTROL POWER: PROVIDE TWO #12 AWG THHN COPPER CONDUCTORS WITH ONE #12 AWG GREEN INSULATED COPPER GROUND WIRE IN 3/4" RIGID METALLIC CONDUIT (RMC WITH THREADED FITTINGS) FROM PANELBOARD TO CONDENSATE POLISHER SYSTEM - VERIFY CONNECTION POINT ON SYSTEM WITH THE MECHANICAL CONTRACTOR. FINAL RACEWAY CONNECTION TO THE CONDENSATE POLISHER SYSTEM SHALL BE MADE WITH LIQUID-TIGHT FLEXIBLE METAL CONDUIT. |
| 3. | PROVIDE ALL WORK IN ACCORDANCE WITH THE 2011 EDITION OF THE NATIONAL ELECTRICAL CODE. |



1 PARTIAL FLOOR PLAN - EQUIPMENT ROOM
SCALE: 1/4" = 1'-0" LOWER LEVEL



LEA LAND ENGINEERING ASSOCIATES, LLC
262 SANDHURST ROAD, SUITE 101
COLUMBIA, SOUTH CAROLINA
(803) 528-1437
Joe.Land.LEA@sc.rr.com

OFFICE OF FACILITIES MANAGEMENT COLUMBIA, SC 29208	
CHECKED BY: JWJ	ORIG. BY: []
DATE: 05JUN15	DATE: []
DRAWN BY: JSJ	DATE: []
BUILDING: 086A	DESCRIPTION: []
REV.:	
PROJECT TITLE: USC CONDENSATE POLISHING SYSTEM EAST ENERGY PLANT	S.C. STATE PROJ. NO. H27-Z215/CP00426209
	University of South Carolina
SHEET: E1	1 OF 1
	SHEET IN SET: [] OF []