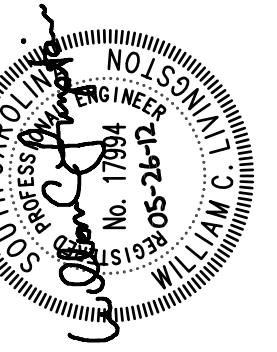


- NOTES TO SHEET**
- ① ROUTE NEW UNDERGROUND 3" PUMPED CONDENSATE INTO MECHANICAL ROOM AND PROVIDE NEW VELAN GATE VALVE INSIDE ROOM. CONNECT PIPE TO EXISTING CONDENSATE RETURN PIPE.
 - ② ROUTE NEW PUMPED CONDENSATE INTO VAULT F2-14D.
 - ③ PROVIDE NEW UNDERGROUND PUMPED CONDENSATE PIPE BETWEEN F2-9S AND F2-14D. REMOVE EXISTING UNDERGROUND CONDENSATE PIPE IF IT INTERFERES WITH NEW PIPE ROUTING.
 - ④ PROVIDE NEW UNDERGROUND PUMPED CONDENSATE PIPE BETWEEN F2-9S AND LOCONTE. REMOVE EXISTING UNDERGROUND CONDENSATE PIPE IF IT INTERFERES WITH NEW PIPE ROUTING.

**CAMPUS PLANNING
AND CONSTRUCTION**
 COLUMBIA, SC 29208



BUILDING	DRAWING	DATE	DRAWN BY	DEM DATE	CHECKED BY	
					WCL	ORIG. BY
	CP00342142	26MAY12				
REV						

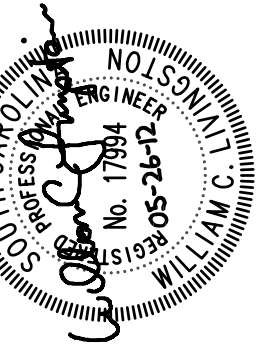
PROJECT TITLE: **LECONTE STEAM AND CONDENSATE LINE REPLACEMENT**
 STATE PROJECT NO.: H27-1989
 University of South Carolina

SHEET: **M-1**
 OF
 SHEET IN SET:

1 SITE PLAN
 SCALE: 1" = 20'

Swygert & Associates
CONSULTING ENGINEERS

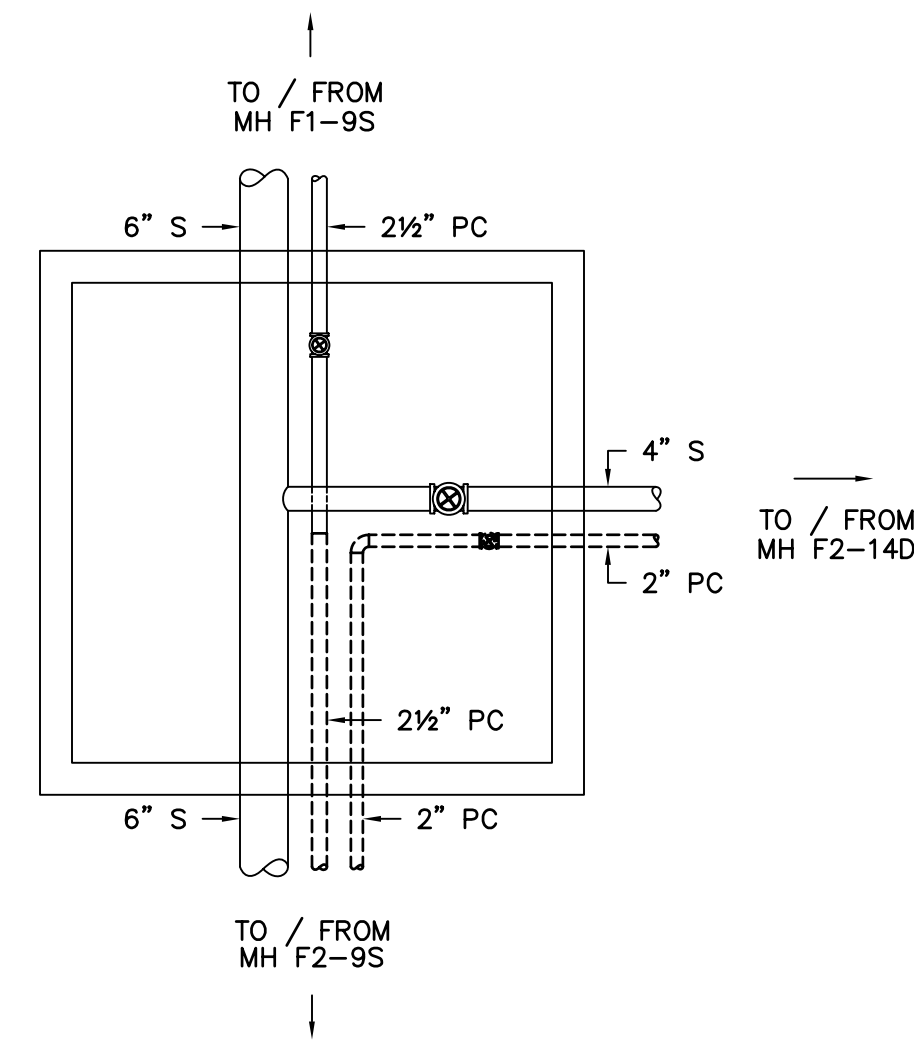
DBA Swygert & Assoc., Ltd. Telephone: (803) 791-9300
Post Office Box 11686 Fax: (803) 791-9830
Columbia, S.C. 29211 mail@swygert-associates.com



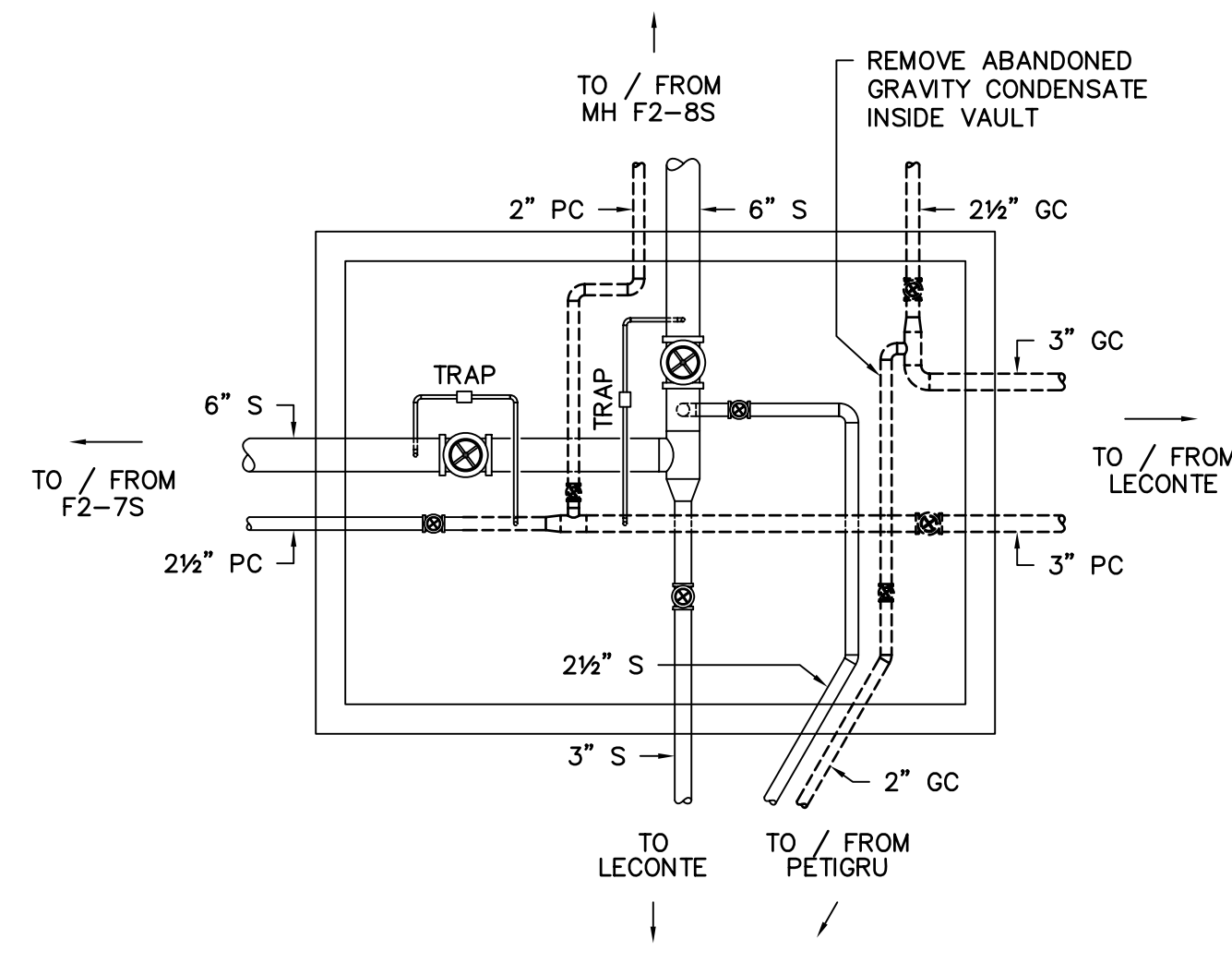
SEAL:	CHECKED BY: WCL
DATE: 26MAY12	ORIG. BY: []
DRAWN BY: DEM	DATE: []
DRAWING: CP00342142	DESCRIPTION: []
BUILDING: []	REV: []

PROJECT TITLE: LEONTE STEAM AND CONDENSATE LINE REPLACEMENT
STATE PROJECT NO.: H27-1989
University of South Carolina

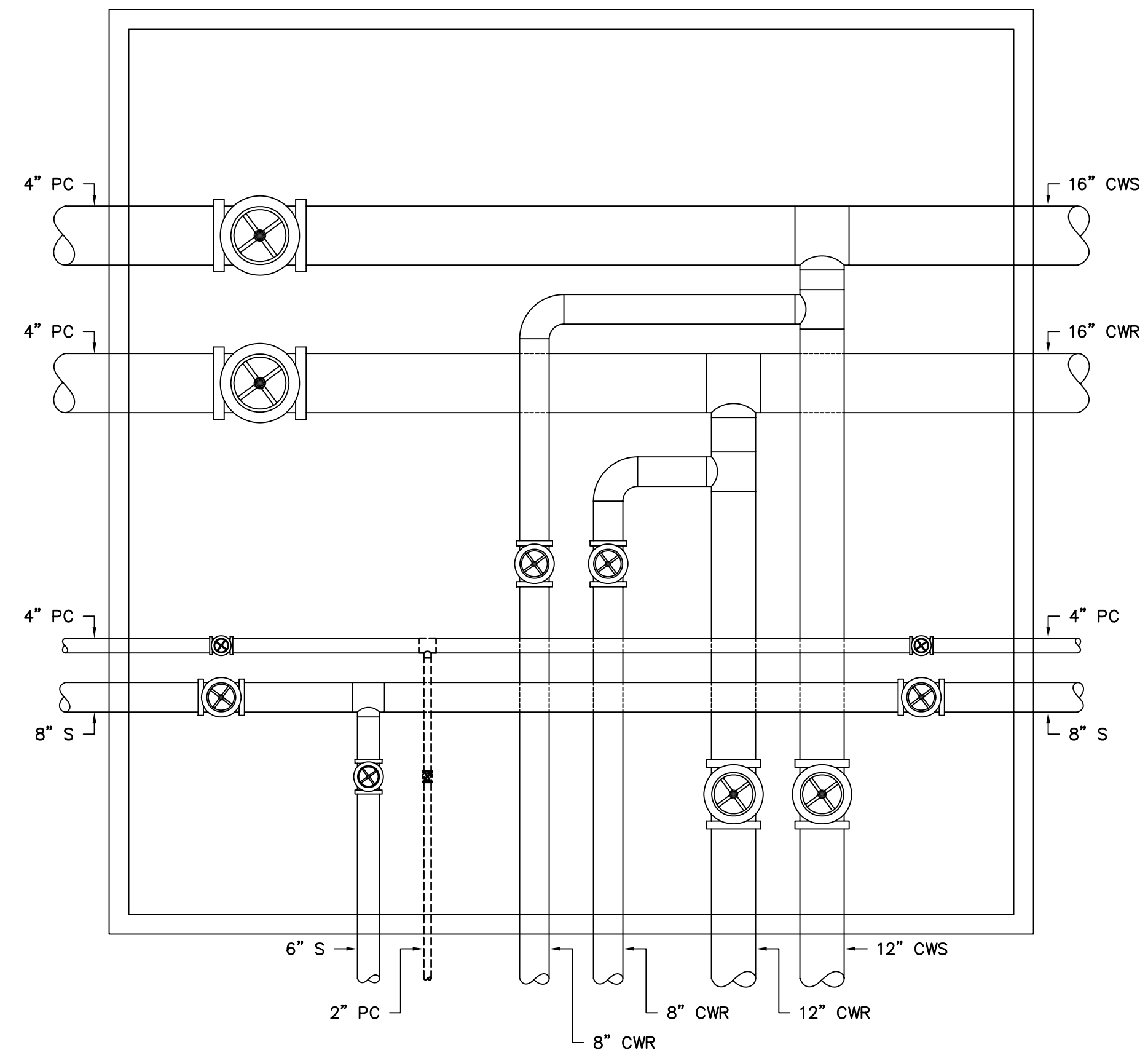
SHEET: M-2
OF
SHEET IN SET: OF



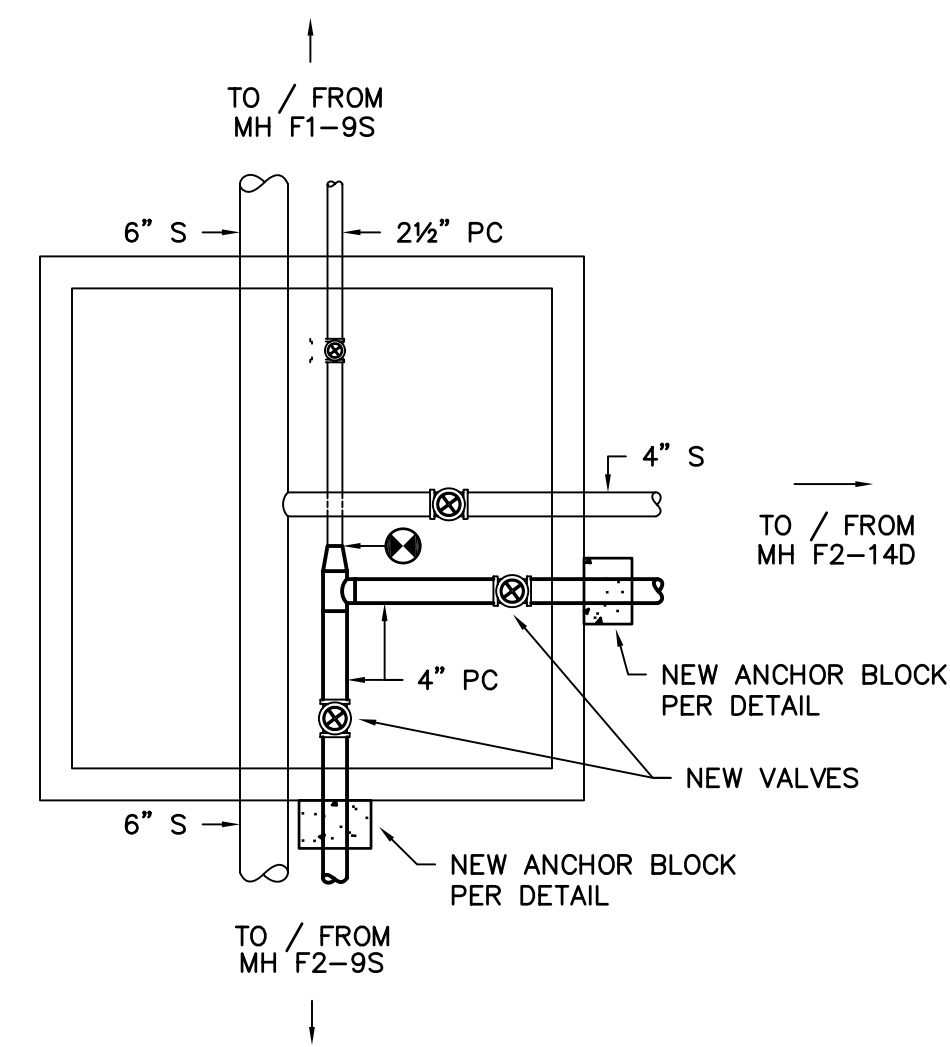
1 DEMOLITION
MANHOLE F2-8S
NO SCALE



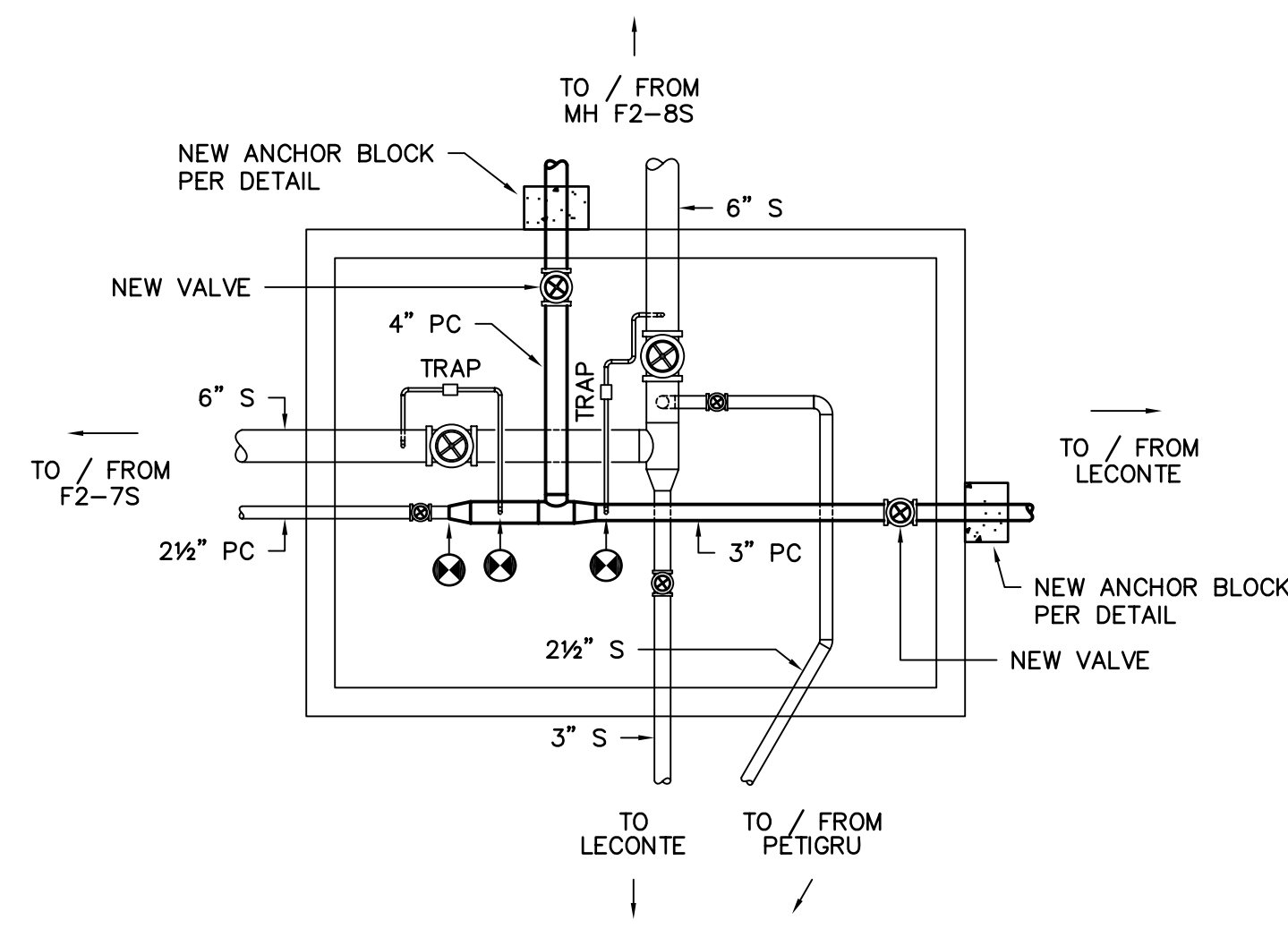
2 DEMOLITION
MANHOLE F2-9S
NO SCALE



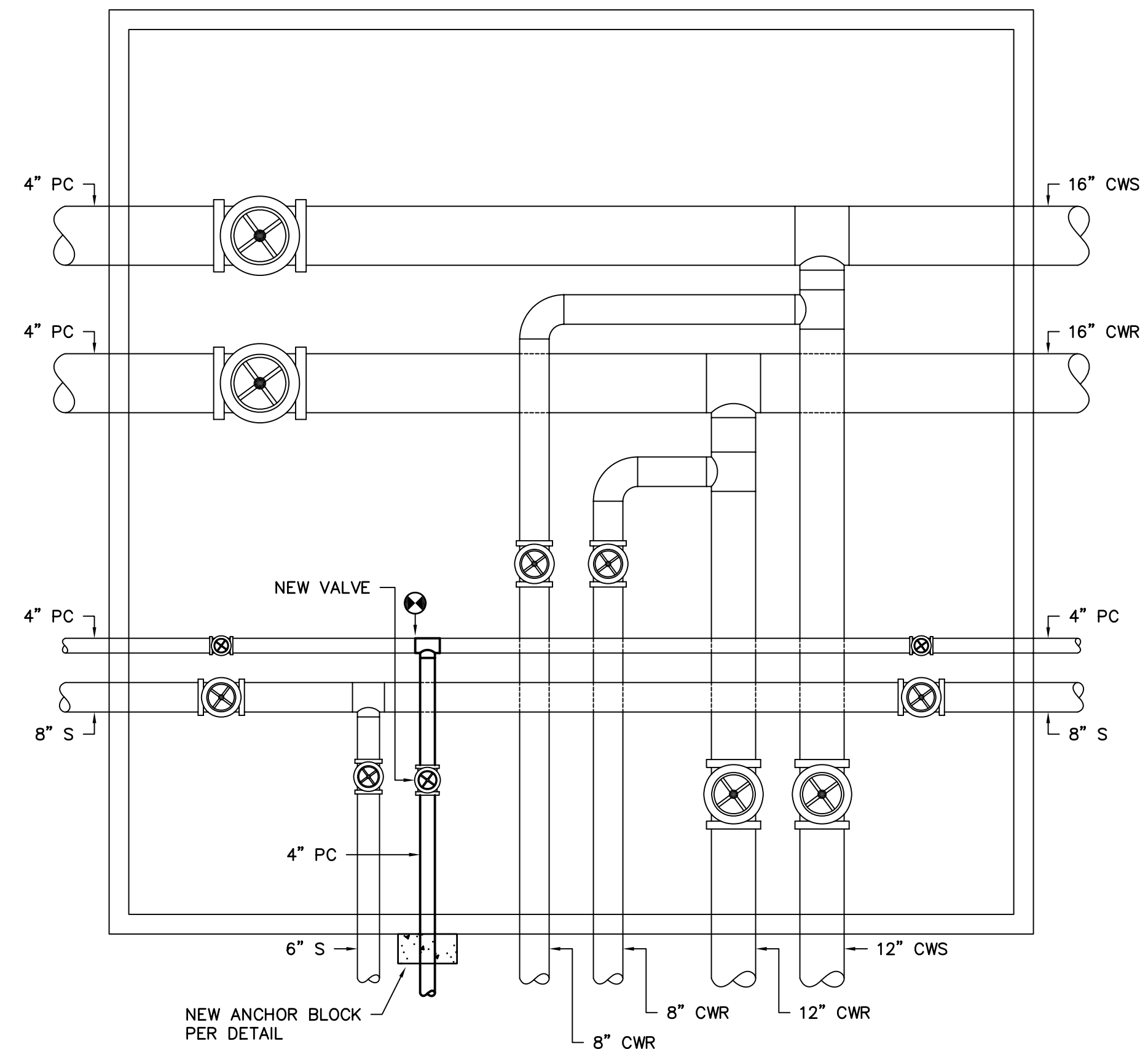
3 DEMOLITION
MANHOLE F2-14D
NO SCALE



4 RENOVATION
MANHOLE F2-8S
NO SCALE



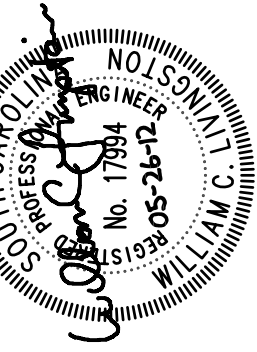
5 RENOVATION
MANHOLE F2-9S
NO SCALE



6 RENOVATION
MANHOLE F2-14D
NO SCALE



Swygert & Associates
CONSULTING ENGINEERS
DBA Swygert & Assoc., Ltd. Telephone: (803) 791-9300
Post Office Box 11886 Fax: (803) 791-9830
Columbia, S.C. 29211 mail@swygert-associates.com



SEAL	WCL
CHECKED BY:	WCL
ORIG. BY:	
DATE	
DATE	
DATE	
DATE	
DATE	
DATE	
DATE	

PROJECT TITLE: **LEONTE STEAM AND CONDENSATE LINE REPLACEMENT**
STATE PROJECT NO.: H27-1989
University of South Carolina

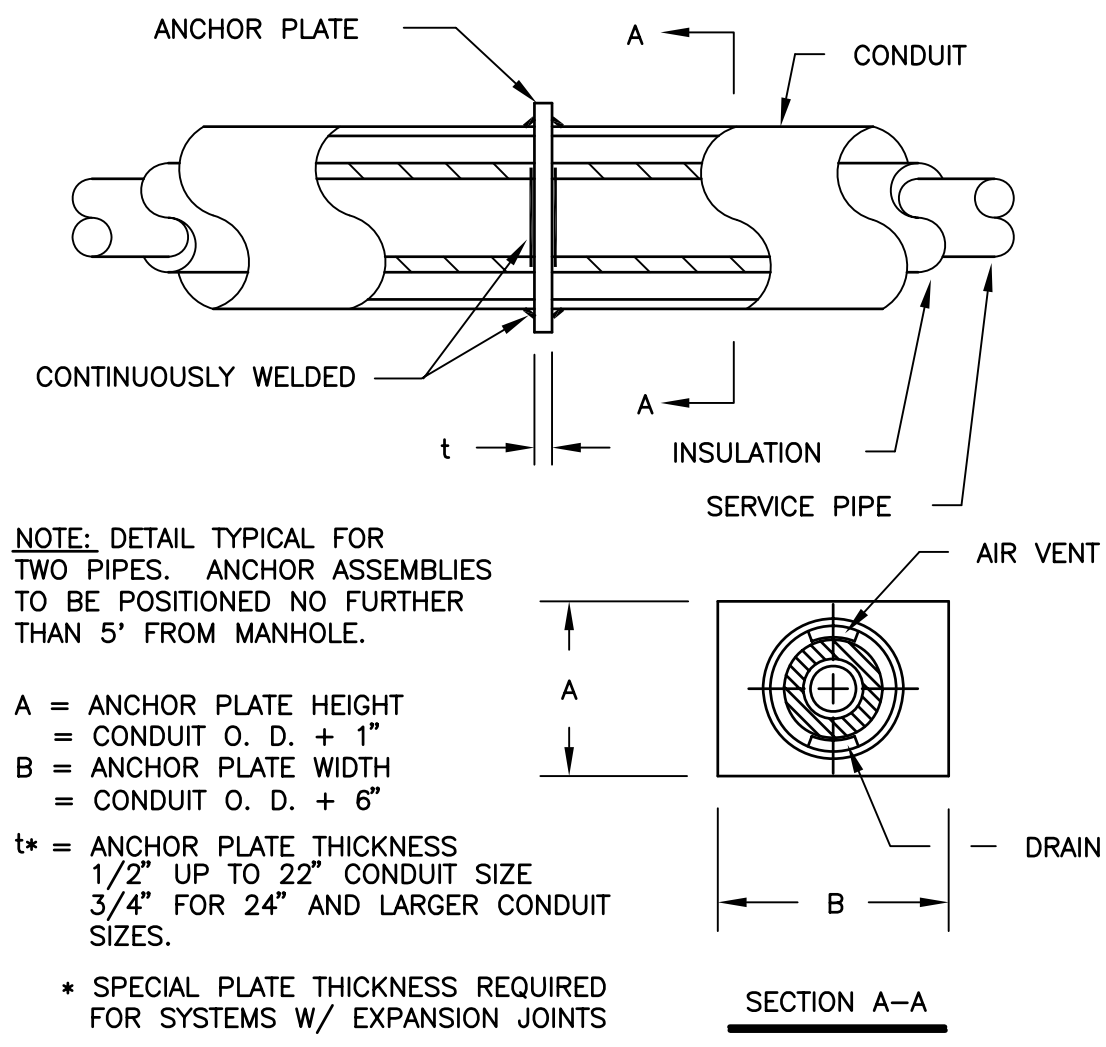
SHEET: **M-3**
OF
SHEET IN SET:

GENERAL NOTES

- DO NOT SCALE DRAWINGS. VERIFY ALL REQUIRED INFORMATION IN THE FIELD BY VISITING SITE PRIOR TO SUBMITTING BID.
- EXACT ROUTING OF PIPING SHALL BE SET IN FIELD TO MINIMIZE CONFLICTS WITH ALL ABOVE AND UNDERGROUND STRUCTURES, TREES, FENCES, WALKS, WALLS, AND UTILITIES.
- ALL PIPING IS SHOWN DIAGRAMMATIC. HOWEVER, CONTRACTOR SHALL PROVIDE ALL REQUIRED FITTINGS, PIPING, AND INSULATION FOR ALL OFFSETS AND/OR CHANGES IN ELEVATIONS. WHERE NECESSARY DUE TO INTERFERENCE, CONTRACTOR SHALL MODIFY EXISTING PIPING, EQUIPMENT, ETC.
- ALL VALVES AND SPECIALTIES SHALL BE LINE SIZE UNLESS INDICATED OTHERWISE ON DRAWINGS.
- ALL STEAM AND PUMPED CONDENSATE SHALL PITCH DOWN A MINIMUM OF ONE INCH PER FIFTY FEET.
- ALL OPENINGS THROUGH EXISTING STRUCTURES SHALL BE CORE DRILLED.
- COLD SPRING ALL STEAM LINES FIFTY (50) PERCENT.
- WHERE PIPING ENTERS MANHOLE CONSTRUCT ENTRY AS REQUIRED. ALL PIPES TO BE SLEEVED AND LINK SEALED TO MAKE WATERTIGHT.
- ALL PIPING AND FITTINGS IN MANHOLES TO BE INSULATED, SEE SPECIFICATIONS.
- CONTRACTOR SHALL COORDINATE AND OBTAIN APPROVAL FROM OWNER FOR INTERRUPTIONS AND CONNECTIONS TO EXISTING UTILITY SYSTEMS.
- CONTRACTOR SHALL COORDINATE TREE AND LANDSCAPING REPLACEMENT WITH USC. IN GENERAL USC WILL REPLACE SMALL TREES THAT ARE NOTED TO BE REPLACED. CONTRACTOR IS RESPONSIBLE FOR SOD REPLACEMENT.
- ALL PIPING SHALL BE VENTED OF AIR AND FILLED WITH THEIR NORMAL FLUIDS OR GAS.
- CONTRACTOR SHALL CONTACT PALMETTO UTILITY PROTECTION SERVICES TO LOCATE UTILITIES PRIOR TO DIGGING. INFORMATION OBTAINED FROM PALMETTO UTILITY PROTECTION SERVICES AND DURING DIGGING SHALL BE INDICATED ON THE AS-BUILT DRAWINGS.
- CONSTRUCT TEMPORARY FENCING AROUND PROJECT AREA TO PROTECT THE SITE AND PEDESTRIANS.

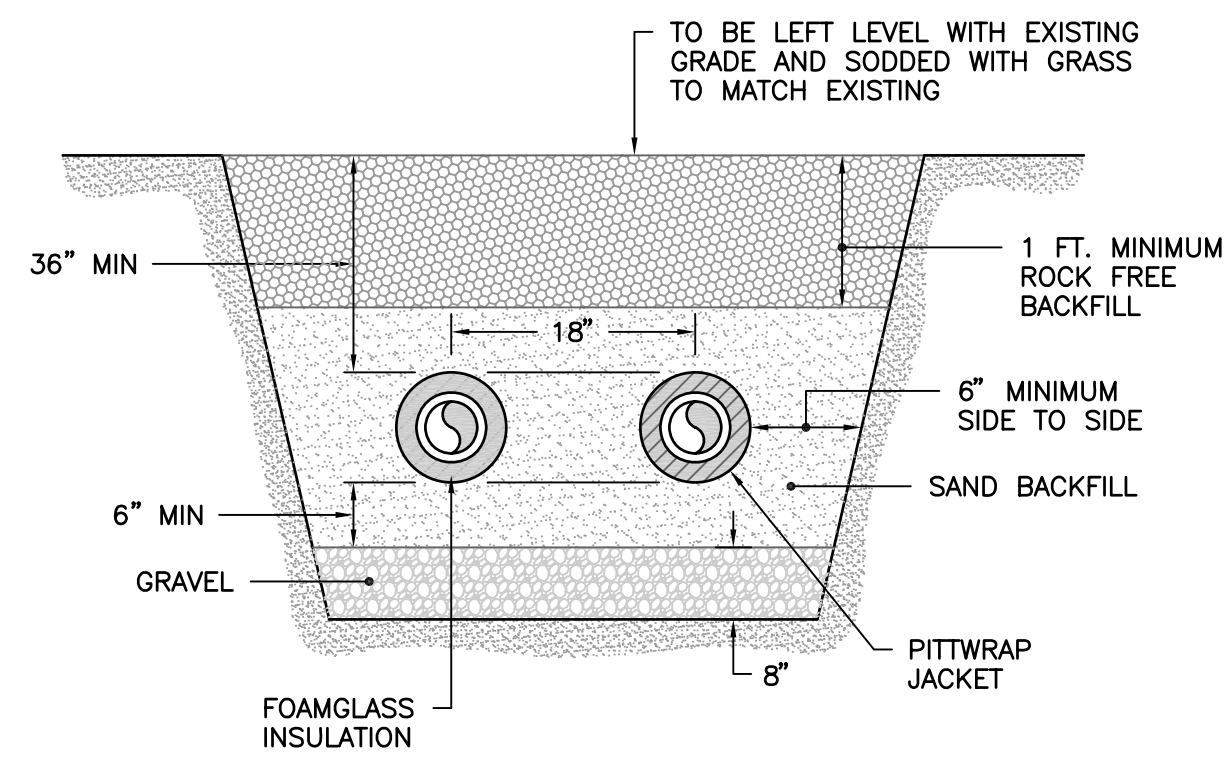
LEGEND

SYMBOL	DESCRIPTION
	NEW HIGH PRESSURE STEAM LINE
	NEW PUMPED CONDENSATE LINE
	EXISTING PIPE TO BE REMOVED OR ABANDONED
	EXISTING PUMPED CONDENSATE LINE
	EXISTING HIGH PRESSURE STEAM LINE
	EXISTING GRAVITY CONDENSATE LINE
	EXISTING CHILLED WATER RETURN LINE
	EXISTING CHILLED WATER SUPPLY LINE
	EXISTING HIGH VOLTAGE ELECTRICAL LINE
	EXISTING COMMUNICATIONS LINE
	EXISTING ELECTRICAL AND COMMUNICATIONS PRIMARY DUCT
	EXISTING SANITARY SEWER LINE
	EXISTING HIGH PRESSURE GAS LINE
	EXISTING LOW PRESSURE GAS LINE
	EXISTING STORM DRAIN LINE
	VELAN GATE VALVE, SEE SPECS
	CONNECTION POINT OF NEW TO EXISTING



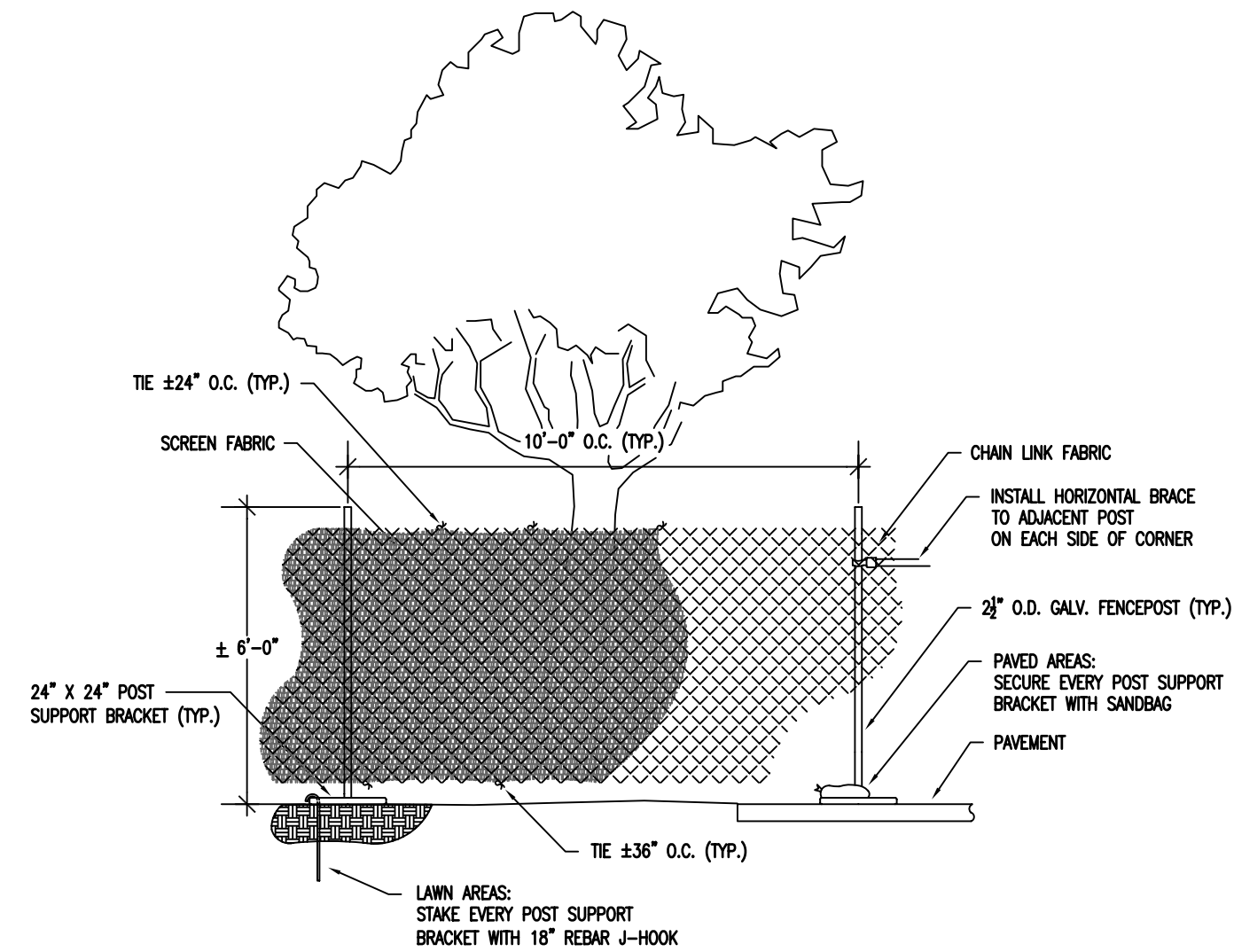
STANDARD ANCHOR ASSEMBLY

NO SCALE



BACKFILL DETAIL

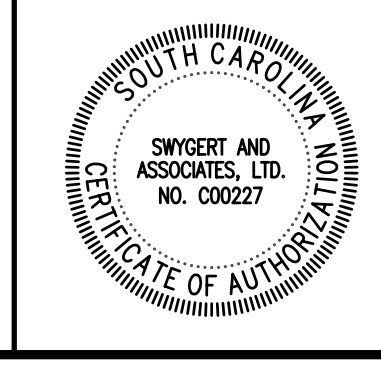
NO SCALE



- NOTES:**
- TREE PROTECTION FENCING SHALL BE PLACED BETWEEN ALL EXISTING TREES AND AROUND PROJECT WORK AREA AS APPROVED BY USC.
 - SEE "USC SUPPLEMENTAL GENERAL CONDITIONS FOR CONSTRUCTION PROJECTS" FOR ADDITIONAL INFORMATION.
 - PROVIDE PROTECTION FENCE FOR ALL TREES TO REMAIN.
 - PROTECTION FENCING TO BE PLACED OUTSIDE OF DRIFLINE OF TREE CANOPY UNLESS OTHERWISE APPROVED BY USC PROJECT MANAGER.
 - A 4" LAYER OF HARDWOOD MULCH SHALL BE PLACED OVER TREE PROTECTION AREA.
 - PROTECTION FENCING SHALL BE IN PLACE AND HARDWOOD MULCH PLACED PRIOR TO BEGINNING CONSTRUCTION.
 - REQUESTS FOR PAYMENT SHALL NOT BE APPROVED UNTIL PROTECTION FENCING AND MULCH IS IN PLACE.
 - LOCATION OF THE PROTECTION FENCING SHALL BE MARKED BY USC ARBORIST AND APPROVED BY USC PROJECT MANAGER BEFORE INSTALLATION.
 - WHERE CONSTRUCTION IS LIKELY TO OCCUR WITHIN 5' OF PROPOSED LOCATION OF PROTECTION FENCING, CONTRACTOR SHALL HAVE LIMITS OF CONSTRUCTION MARKED BY SURVEY BEFORE PROTECTION FENCING IS INSTALLED.
 - SCREEN FABRIC SHALL BE DARK GREEN 85% OPAQUE POLYETHYLENE KNOT MESH, UV STABILIZED WITH BURST STRENGTH OF AT LEAST 210 P.S.I.

WORK AREA SCREENING AND TREE PROTECTION FENCE PANEL DETAIL

NO SCALE



Swygert & Associates
CONSULTING ENGINEERS

DBA Swygert & Assoc., Ltd. Telephone: (803) 791-9300
 Post Office Box 11886 Fax: (803) 791-9830
 Columbia, S.C. 29211 mail@swygert-associates.com

SHEET: **M-3**
OF
SHEET IN SET: