

## **ADDENDUM No. 2**

Date: February 27, 2015

Re: **Strom Thurmond - Project 3 Water Heaters Replaced**  
University of SC (State Project # H27-D216-FW)

A/E Proj. No.: 143116

Submitted By: Manuel, C. Hendrix, VP  
Mechanical Design, Inc.  
4403 Broad River Road  
Columbia, S.C. 29210  
(803)731-9834 Fax: (803)731-9837

The following items take precedence over referenced portions of the Contract Documents for the referenced project dated January 27, 2015, and, in executing a contract, shall become a part thereof.

Where any item called for in the documents is supplemented hereby, the original requirements shall remain in effect. All supplemental conditions shall be considered as added thereto.

Where any original item is amended, voided, or superseded hereby, the provision of such items not so specifically amended, voided, or superseded shall remain in effect.

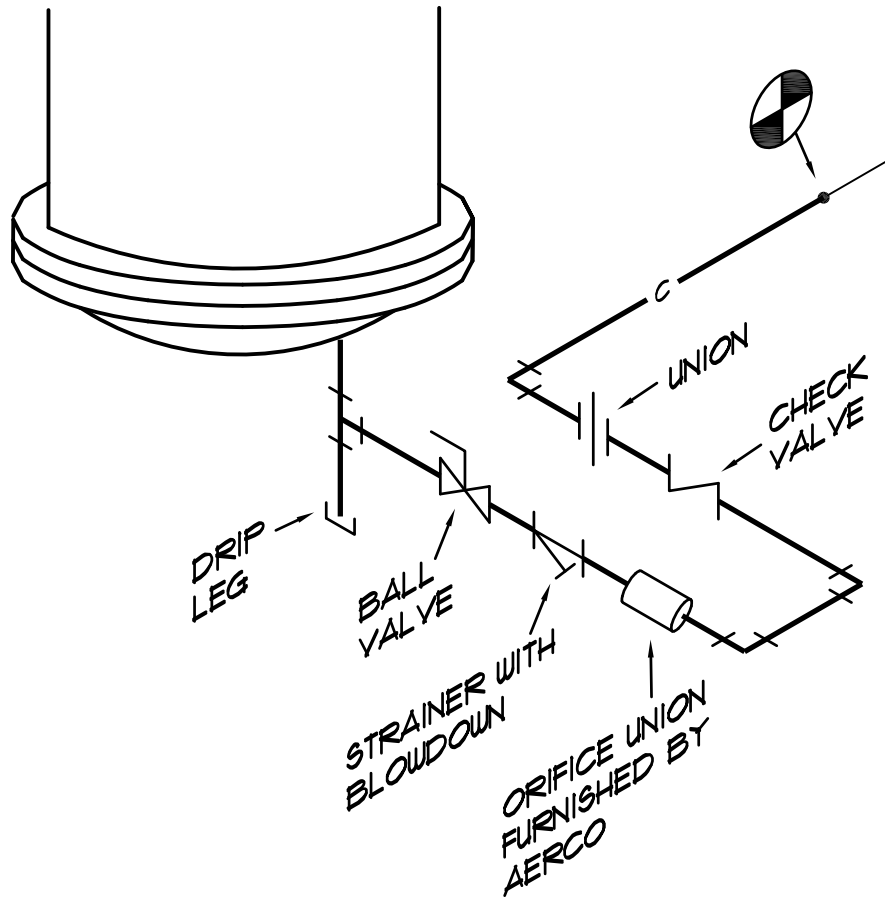
---

### **DRAWINGS:**

The following items are noted and in response to additional questions presented at the site review meeting Thursday, February 26, 2015 at 10:00 am:

1. Condensate piping for the water heaters shall be piped as indicated and noted on the attached bulletin drawing PSK1.
2. Flow direction arrows for the tempered water supply downstream of the mixing valves is shown incorrectly on the drawings.
3. Note D indicated on the hw supply leaving water heaters applies at ea unit. Contractor shall provide hosebibb as noted and verify clearance prior to piping heaters. Coordinate this requirement in the field with the engineer and locate hosebibbs as directed.
4. Mounting frame for the mixing valves shall be maximum 48" in length. Eliminate 3/4" plywood for mounting and secure piping and mixing valves to frames as directed. Relocate piping drops shown on the drawings to rear of mixing valves to keep layout space to a minimum.
5. Contact engineer and USC after installation and piping of the first heater is complete for review of piping and prior to factory start-up for the heater is scheduled. This is required to maintain correct piping and prevent issues with piping of the remaining water heaters.

**END OF ADDENDUM NO. 2**



**NOTE:**  
 CONTRACTOR SHALL COORDINATE AND  
 PIPE CONDENSATE DRAIN FOR EACH  
 UNIT AS INDICATED. FIELD VERIFY SIZE  
 OF EXISTING PIPING.

	<p><b>MECHANICAL        DESIGN        INC.</b></p>	<p>4403 Broad River Road        Columbia, S.C. 29210        (803) 731-9834        (803) 731-9837 FAX</p>
	<p>UNIVERSITY of SOUTH CAROLINA        STROM THURMOND - PROJECT        3 WATER HEATERS REPLACED        S.C. State Job Number: H27-D216-FW        Comm No. 143116</p>	



FEB. 27, 2015  
**PSK1**