



COMPASS 5 PARTNERS, LLC

Addendum Number Three

Date of Issue: 03/12/15

Project: USC South Tower Bathroom Renovations

Project Number: H27-6108-MJ

TO: ALL BIDDERS OF RECORD

This addendum modifies the Contract documents only in the manner and to the extent stated herein and shown on any accompanying drawings and will become part of the Contract Documents. Except as specified or otherwise indicated by this Addendum, all work shall be in accordance with the basic requirements of the Contract Documents.

BIDDERS SHALL ACKNOWLEDGE RECEIPT OF ADDENDUM IN THE SPACE PROVIDED ON THE BID FORM. FAILURE TO DO SO MAY CONSTITUTE A REASON TO REJECT THE BID.

This Addendum consists of five (5) pages including this document and the following:

I. Enclosures:

1. Stainless Shelf Sketch SK-A-003 dated 3/12/2015 (1 page)
2. Stainless Shelf Sketch SK-A-004 dated 3/12/2015 (1 page)
3. Plumbing Sketch SK-P-001 dated 3/09/2015 (1 page)

II. General Information: Questions and Answers

1. **PIPING SPECIFICATION** Piping shall be as indicated in the specifications section 220500

III. Changes to the Specifications:

1. **SECTION 093050 – TILE SETTING MATERIALS AND ACCESSORIES**
Delete Paragraph 2.3. A.

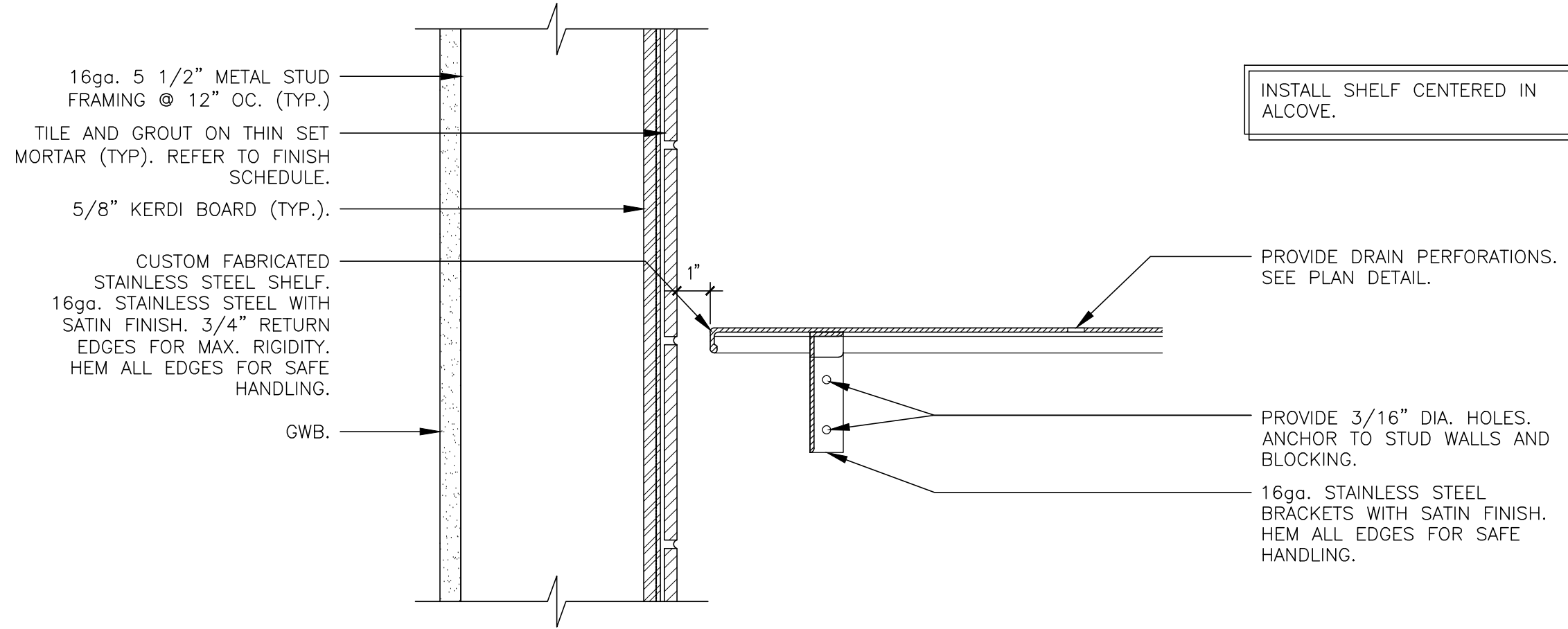
IV. Changes to the Drawings:

1. **SHEET A502.1 Detail A3 Enlarged Plan Detail** Revise the shelf dimension from ' 15" ' to ' 12" '.
2. **SHEET A503.1** Delete DETAIL C3 and replace with the attached SK-A-003 dated 3/12/2015.
3. **SHEET A503.1** Delete DETAIL C4 and replace with the attached SK-A-004 dated 3/12/2015.
4. **SHEET P100 Revision:** Reference Drawing P100, Renovation Floor Plans. On drawings 3/P100 and 7/P100 in Bathroom 105 and Bathroom 105A change the previously noted 'P-8 ADA' lavatory to a 'P-4 ADA' lavatory.
5. **SHEET P200 Revision:** Reference Drawing P200, Details, Notes, Schedule, and Legend. See sketch SK-P-001. This sketch changes the model number on the P-4 fixture and indicates that the P-8 fixture is no longer used in the 'Plumbing Fixture Schedule'.

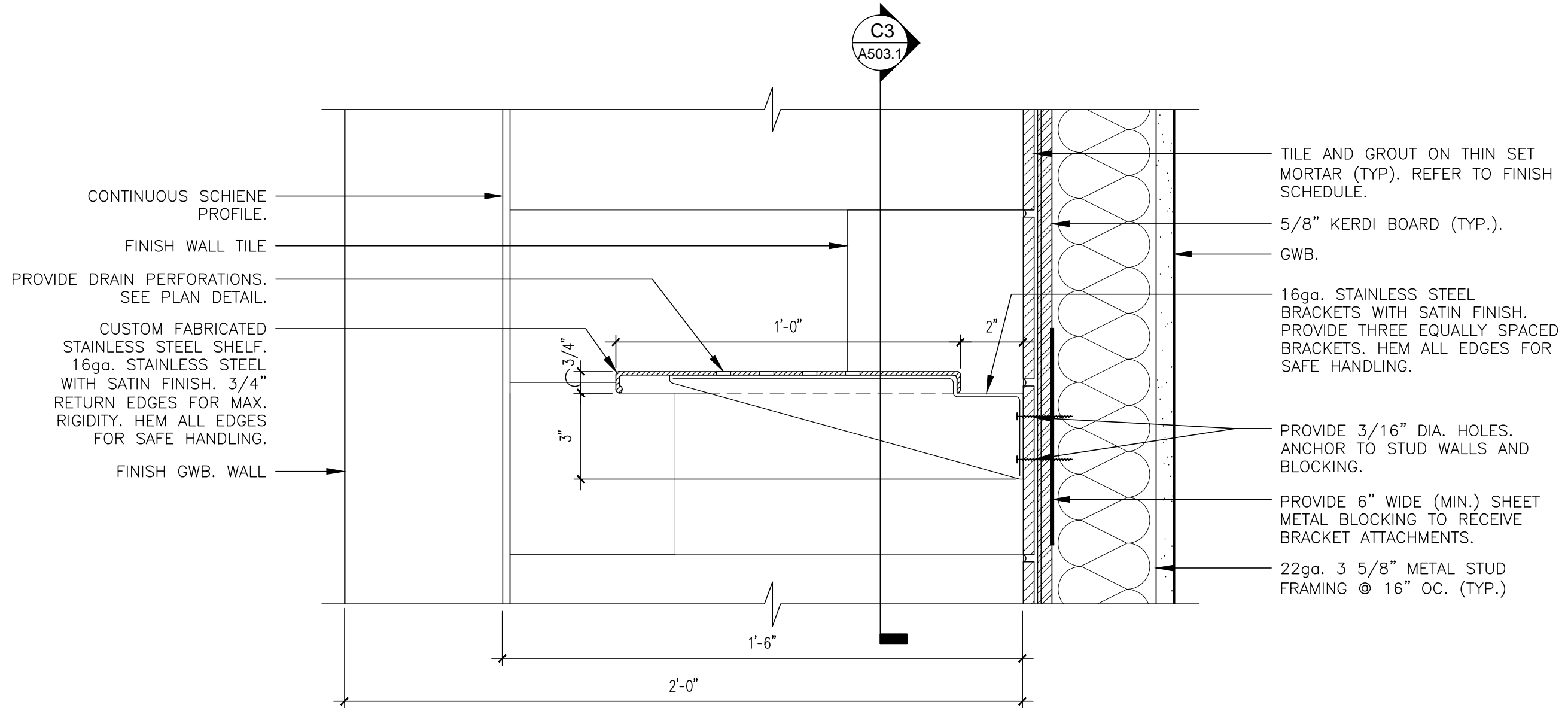
V. Prior Approvals

NOT USED.

END OF ADDENDUM THREE



C3 ENLARGED SECTION DETAIL
 SCALE: 3" = 1'-0"



C4 ENLARGED SECTION DETAIL

SCALE: 3" = 1'-0"

P-1	WATER CLOSET	KOHLER	KINGSTON	K-4325	---	1"	--	WITH SLOAN MODEL WES-111 DUAL FLUSH FLUSH VALVE, BENEKE 527 SEAT, BOLT COVERS, AND CHAIR CARRIER.
P-2	ACCESSIBLE WATER CLOSET	KOHLER	KINGSTON	K-4325	---	1"	--	WITH SLOAN MODEL 111-1.28 ES-S SENSOR FLUSH VALVE AND EL-154 TRANSFORMER, BENEKE 527 SEAT, BOLT COVERS, AND CHAIR CARRIER.
P-3	LAVATORY	KOHLER	CAXTON	K-2210	17"x14"	3/8"	3/8"	UNDER COUNTER MOUNTED WITH DELTA MODEL 22C651 FAUCET, WATTS LFUSG-B ASSE 1070 THERMOSTATIC MIXING VALVE, McGUIRE 155A GRID DRAIN, McGUIRE H165 3/8" CAST BRASS SUPPLIES WITH STOPS, AND McGUIRE 8872 1-1/4" P-TRAP.
P-4	LAVATORY	KOHLER	PINOIR 1	K-2035-1	22"x18"	3/8"	3/8"	WITH DELTA MODEL 22C651 FAUCET, WATTS LFUSG-B ASSE 1070 THERMOSTATIC MIXING VALVE, McGUIRE 155A GRID DRAIN, McGUIRE H165 3/8" CAST BRASS SUPPLIES WITH STOPS, AND McGUIRE 8872 1-1/4" P-TRAP. MOUNT PER ADA REQUIREMENTS.
P-5	SHOWER TRIM	DELTA	---	R1000-UNWS	---	1/2"	1/2"	WITH SCREWDRIVER STOPS, DELTA MODEL T13291 FAUCET TRIM, AND DELTA MODEL RP46384 1.5 GPM SHOWER HEAD. SHOWER VALVE AND SHOWER HEAD TO BE LOCATED IN SAME LOCATION AS EXISTING.
P-6	ACCESSIBLE SHOWER TRIM	DELTA	---	R10700-UNWS	---	1/2"	1/2"	WITH DELTA T13H382 TRIM PACKAGE INCLUDING SHOWER VALVE, DIVERTER VALVE, AND SCREWDRIVER STOPS.
P-7	BATH TUB 1	KOHLER	VILLAGER	K-715	60"x30 1/4"	1/2"	1/2"	WITH DELTA T13H282 TRIM PACKAGE WITH SHOWER VALVE, FIXED SHOWER HEAD, METAL LEVER HANDLE, AND SCREWDRIVER STOPS, AND McGUIRE 1221PU TUB DRAIN.
P-8	NOT USED							
P-9	LAVATORY	KOHLER	CERAMIC/IMPRESSIONS	K-2777-1-G81	25"x22 3/8"	3/8"	3/8"	WITH KOHLER K-99539-1WJ VANITY WITH DOORS AND