

# EAST TUNNEL STEAM EXPANSION JOINT REPLACEMENT PROJECT

**PROJECT NUMBER CP00425136  
COLUMBIA, SC  
CONSTRUCTION DOCUMENTS**

**DRAWING INDEX**

- GENERAL
- T1 TITLE SHEET
- MECHANICAL
- M1 SITE PLAN  
M2 DETAILS, NOTES, MANHOLE DIAGRAMS AND LEGEND

CAMPUS PLANNING  
AND CONSTRUCTION  
COLUMBIA, SC 29208

SEAL:

DRAWING: CP00425136	DATE: 31MAR15	DRAWN BY: WCL	CHECKED BY: WCL
BUILDING: REV.	DESCRIPTION	DATE	ORIG. BY

PROJECT TITLE: EAST TUNNEL STEAM EXPANSION  
JOINT REPLACEMENT PROJECT

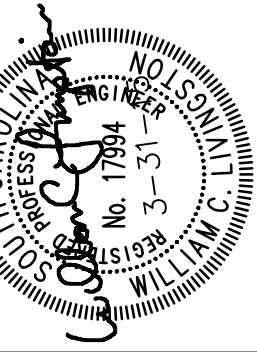
PROJECT NO. CP00425136  
University of South Carolina

SHEET: T-1  
OF  
SHEET IN SET:  
OF

Swygert & Associates  
CONSULTING ENGINEERS

DBA Swygert & Assoc., Ltd. Telephone: (803) 791-9300  
Post Office Box 11686 Fax: (803) 791-9830  
Columbia, S.C. 29211 mail@swygert-associates.com





SEAL:	WCL
CHECKED BY:	WCL
ORIG. BY:	WCL
DATE:	DATE
DRAWN BY:	WCL
DATE:	DATE
DRAWING:	CP00425136
DESCRIPTION:	DESCRIPTION
BUILDING:	REV.

PROJECT TITLE: EAST TUNNEL STEAM EXPANSION  
JOINT REPLACEMENT PROJECT  
PROJECT NO. CP00425136  
University of South Carolina

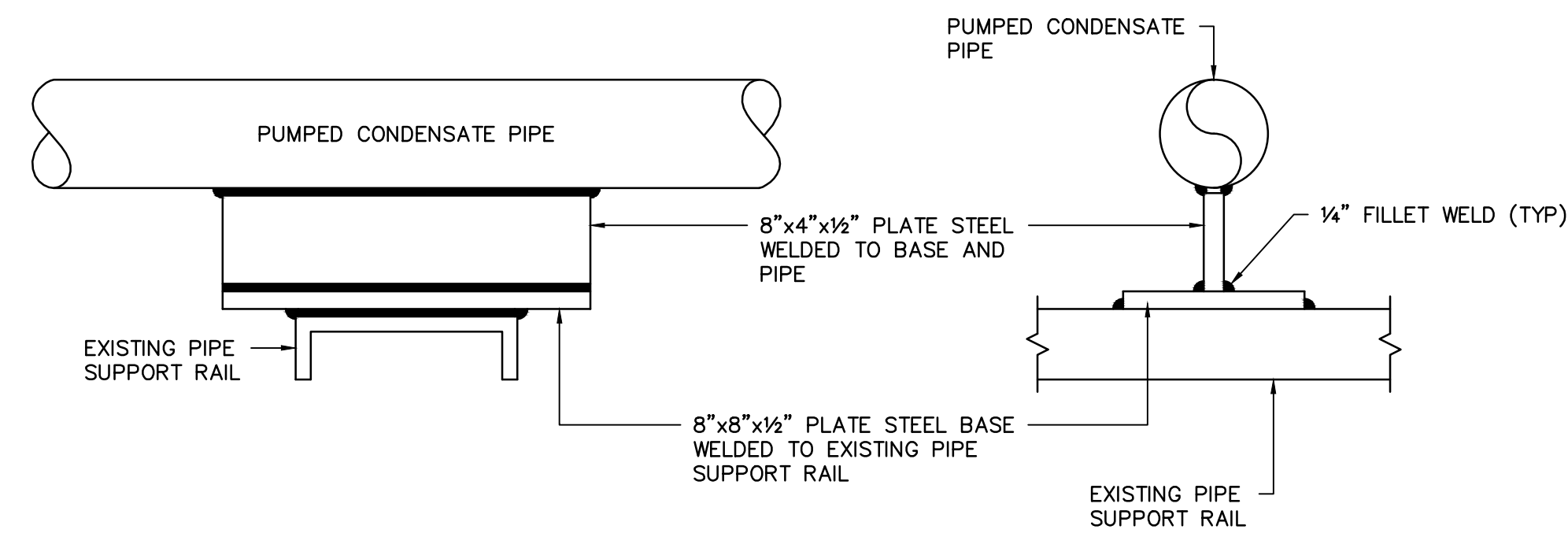
SHEET: M-2  
OF  
SHEET IN SET:

**GENERAL NOTES**

- DO NOT SCALE DRAWINGS. VERIFY ALL REQUIRED INFORMATION IN THE FIELD BY VISITING SITE PRIOR TO SUBMITTING BID.
- EXACT ROUTING OF PIPING SHALL BE SET IN FIELD TO MINIMIZE CONFLICTS WITH ALL ABOVE AND UNDERGROUND STRUCTURES, TREES, FENCES, WALKS, WALLS, AND UTILITIES.
- ALL PIPING IS SHOWN DIAGRAMMATIC. HOWEVER, CONTRACTOR SHALL PROVIDE ALL REQUIRED FITTINGS, PIPING, AND INSULATION FOR ALL OFFSETS AND/OR CHANGES IN ELEVATIONS. WHERE NECESSARY DUE TO INTERFERENCE, CONTRACTOR SHALL MODIFY EXISTING PIPING, EQUIPMENT, ETC.
- ALL VALVES AND SPECIALTIES SHALL BE LINE SIZE UNLESS INDICATED OTHERWISE ON DRAWINGS.
- ALL STEAM AND PUMPED CONDENSATE SHALL PITCH DOWN A MINIMUM OF ONE INCH PER FIFTY FEET.
- ALL OPENINGS THROUGH EXISTING STRUCTURES SHALL BE CORE DRILLED.
- COLD SPRING ALL STEAM LINES FIFTY (50) PERCENT.
- WHERE PIPING ENTERS MANHOLE CONSTRUCT ENTRY AS REQUIRED. ALL PIPES TO BE SLEEVED AND LINK SEALED TO MAKE WATERTIGHT.
- ALL PIPING AND FITTINGS IN MANHOLES TO BE INSULATED, SEE SPECIFICATIONS.
- CONTRACTOR SHALL COORDINATE AND OBTAIN APPROVAL FROM OWNER FOR INTERRUPTIONS AND CONNECTIONS TO EXISTING UTILITY SYSTEMS.
- CONTRACTOR SHALL COORDINATE TREE AND LANDSCAPING REPLACEMENT WITH USC. IN GENERAL USC WILL REPLACE SMALL TREES THAT ARE NOTED TO BE REPLACED. CONTRACTOR IS RESPONSIBLE FOR SOD REPLACEMENT.
- ALL PIPING SHALL BE VENTED OF AIR AND FILLED WITH THEIR NORMAL FLUIDS OR GAS.
- CONTRACTOR SHALL CONTACT PALMETTO UTILITY PROTECTION SERVICES TO LOCATE UTILITIES PRIOR TO DIGGING. INFORMATION OBTAINED FROM PALMETTO UTILITY PROTECTION SERVICES AND DURING DIGGING SHALL BE INDICATED ON THE AS-BUILT DRAWINGS.
- CONSTRUCT TEMPORARY FENCING AROUND PROJECT AREA TO PROTECT THE SITE AND PEDESTRIANS.

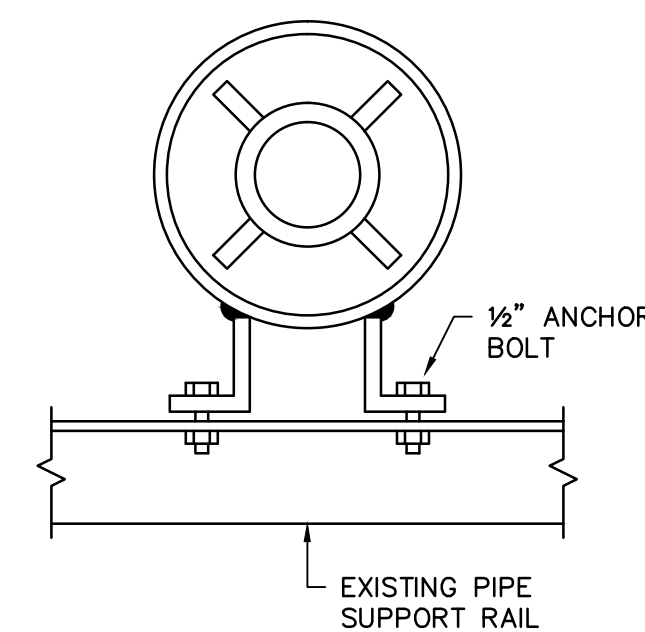
**LEGEND**

SYMBOL	DESCRIPTION
—S—	NEW HIGH PRESSURE STEAM LINE
—PC—	NEW PUMPED CONDENSATE LINE
- - - - -	EXISTING PIPE TO BE REMOVED OR ABANDONED
—PC—	EXISTING PUMPED CONDENSATE LINE
—S—	EXISTING HIGH PRESSURE STEAM LINE
—GC—	EXISTING GRAVITY CONDENSATE LINE
—CR—	EXISTING CHILLED WATER RETURN LINE
—CS—	EXISTING CHILLED WATER SUPPLY LINE
—E—	EXISTING HIGH VOLTAGE ELECTRICAL LINE
—C—	EXISTING COMMUNICATIONS LINE
—EC—	EXISTING ELECTRICAL AND COMMUNICATIONS PRIMARY DUCT
—SS—	EXISTING SANITARY SEWER LINE
—HG—	EXISTING HIGH PRESSURE GAS LINE
—LG—	EXISTING LOW PRESSURE GAS LINE
—SD—	EXISTING STORM DRAIN LINE
⊗	VELAN GATE VALVE, SEE SPECS
⊕	CONNECTION POINT OF NEW TO EXISTING



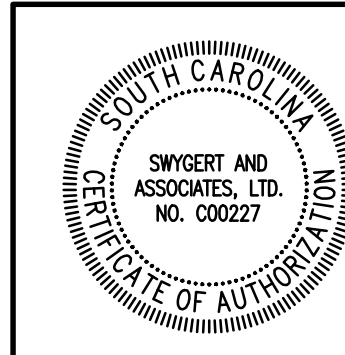
**ANCHOR DETAIL**

NO SCALE



**PIPE GUIDE DETAIL**

NO SCALE



Swygert & Associates  
CONSULTING ENGINEERS  
DBA Swygert & Assoc., Ltd. Telephone: (803) 791-9300  
Post Office Box 11686 Fax: (803) 791-9830  
Columbia, S.C. 29211 mail@swygert-associates.com