

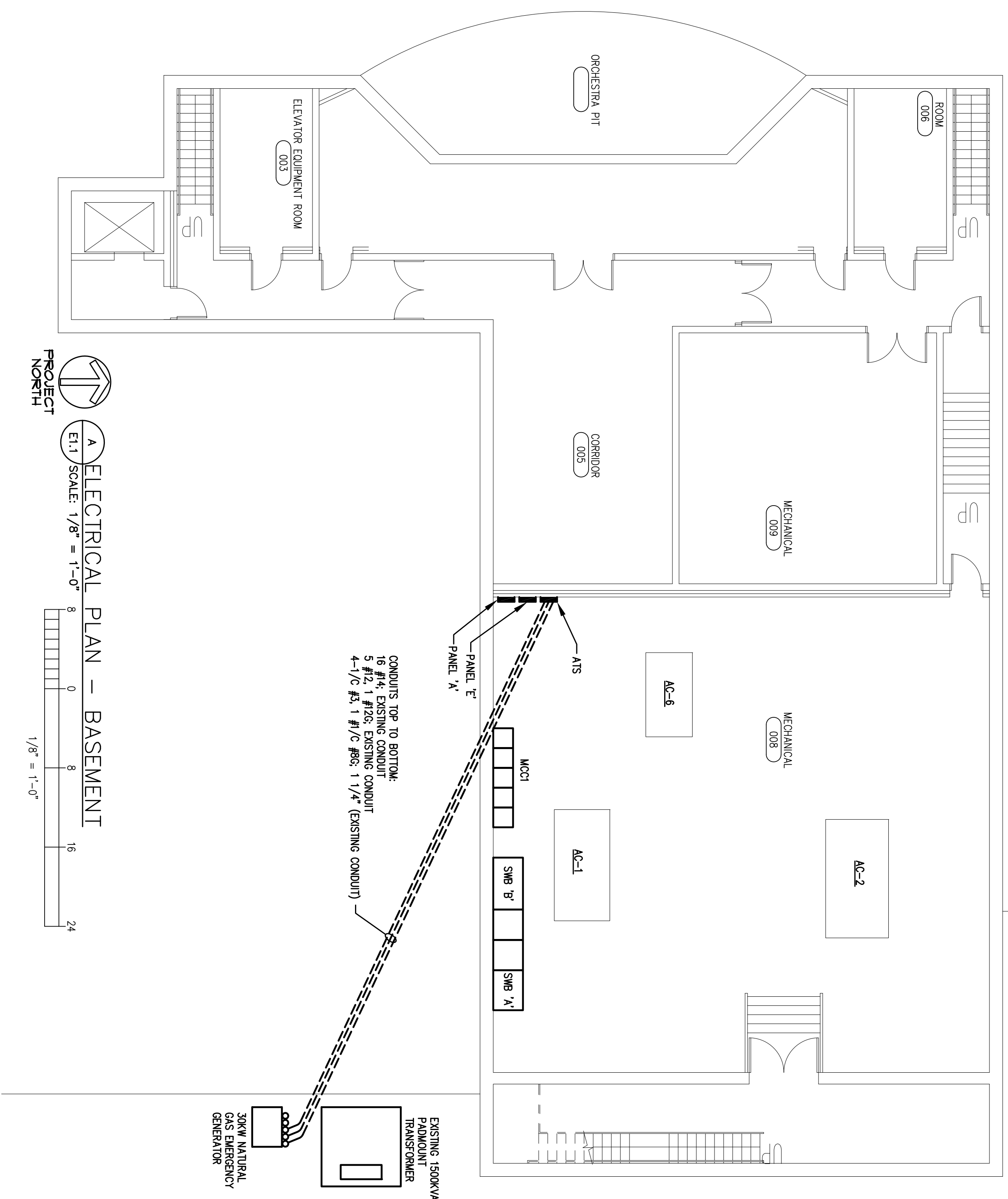
SYMBOL	DESCRIPTION
	HOME RUN TO LIGHTING/SERVICE PANEL, HASH MARKS, WHEN SHOWN, INDICATE NUMBERS OF CONDUCTORS. * / * INDICATES HOT WIRE, % / % INDICATES NEUTRAL CONDUCTOR, / * / * INDICATES GROUND CONDUCTOR. HOME RUN NOTE INDICATES PANEL NAME AND CIRCUIT NAME OR FEEDER TAG. CONDUCTORS SHALL BE #12 AWG IN 3/4" CONDUIT UNLESS NOTED OTHERWISE. IN HOT 1 NEUTRAL AND 1 EQUIPMENT GROUND, EACH HOT CIRCUIT SHALL BE PAIRED WITH A SEPARATE NEUTRAL CONDUCTOR. SHARING OF NEUTRAL CONDUCTORS BETWEEN CIRCUITS IS NOT ALLOWED.
	CONDUIT RUN IN SLAB OR UNDERGROUND.
	CONDUIT RUN CONCEALED ABOVE CEILING OR IN WALLS, UNLESS NOTED OTHERWISE.
	CONDUIT TURNING UP
	CONDUIT TURNING DOWN
	JUNCTION BOX STEEL INDICATES WALL MOUNTED
	JUNCTION BOX FLOOR MOUNTED
	LIGHTING OR SERVICE PANEL, SURFACE MOUNTED
	CONNECTION TO A SPECIFIC PIECE OF EQUIPMENT - CORRESPONDING EXACT LOCATION AND REQUIREMENTS WITH PROVIDED / INSTALLER OF THE EQUIPMENT.

ELECTRICAL GENERAL NOTES:

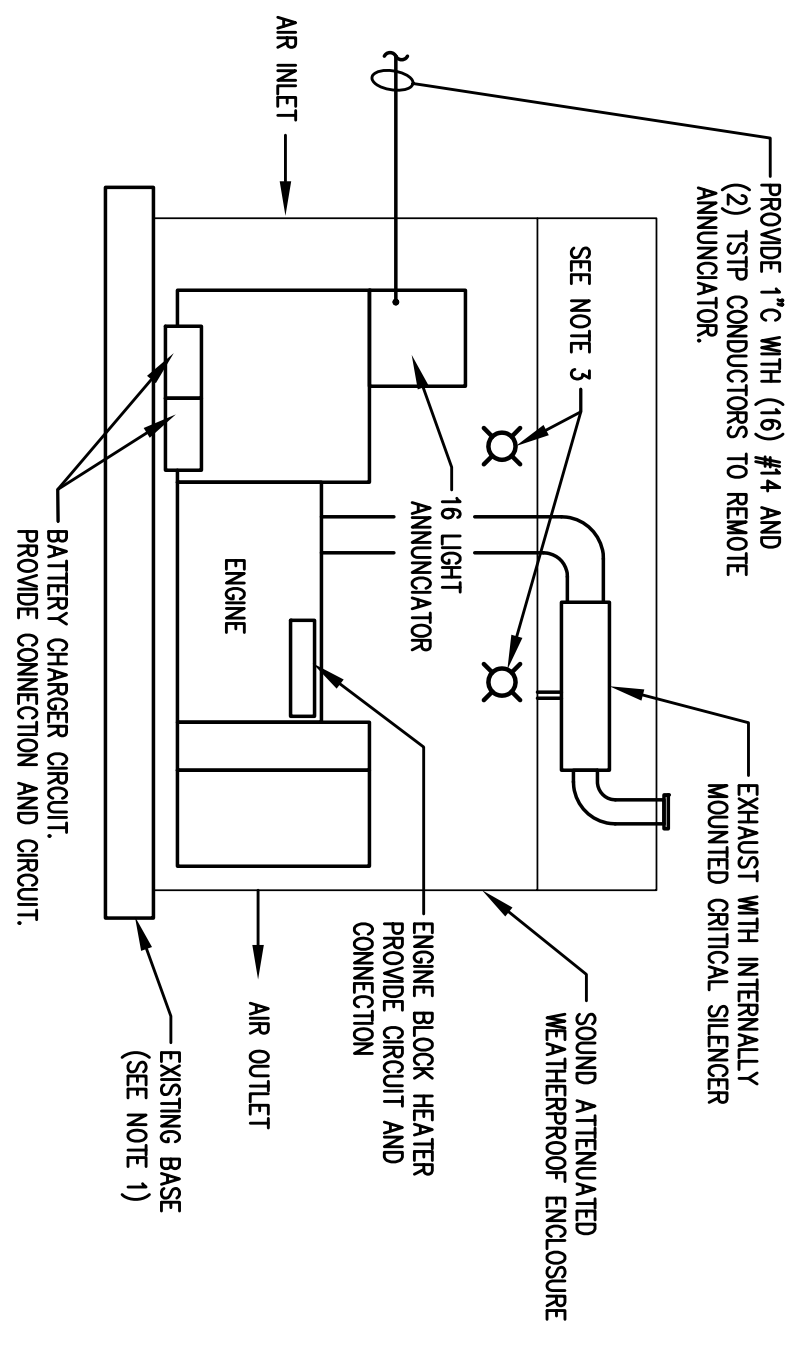
- INSPECT SITE PRIOR TO SUBMITTING BID. DRAWINGS ARE INTENDED TO COVER THE REQUIRED ELECTRICAL SYSTEMS. DRAWINGS MAY NOT SHOW COMPLETE OR ACQUIRED DETAILS OF THE BUILDING OR SYSTEM IN EVERY AREA. THE CONTRACTOR SHALL BE RESPONSIBLE FOR OBTAINING ALL NECESSARY ADDITIONAL INFORMATION AS REQUIRED.
- CONFORM TO THE NATIONAL ELECTRICAL CODE (2011), IBC (2012), APPLICABLE NECA, ANSI AND IEEE PUBLICATIONS, UL, AND ADA STANDARDS AND OSHA REQUIREMENTS. COMPLY WITH LOCAL, COUNTY, STATE AND NATIONAL CODES HAVING JURISDICTION.
- FURNISH AND INSTALL ALL MATERIALS IN A NEAT AND WORKMANLIKE MANNER. ALL MATERIALS SHALL BE NEW, WITH FIRST QUALITY AND UL LABEL.
- VERIFY ALL DIMENSIONS AND CLEARANCES PRIOR TO INSTALLATION OF EQUIPMENT AND RACKS. CONTRACTOR'S RESPONSIBILITY FOR OBTAINING COORDINATION OF WORK WITH THAT OF ALL OTHER TRADES AS REQUIRED.
- CONDUIT SHALL BE EMT FOR BRANCH CIRCUIT WIRING AS ALLOWED BY NEC. EXCEPT THAT SET SCREW OR CLAMP FITTINGS ARE NOT ALLOWED. WHERE EXPOSED TO PHYSICAL DAMAGE CONDUITS SHALL BE RIGID GALVANIZED STEEL. ALL CONDUIT SHALL BE THIN WALL TYPE UNLESS NOTED OTHERWISE. UNDERGROUND CONDUITS SHALL BE PVC SCHEDULE 40 WITH TRANSITION TO RIGID GALVANIZED STEEL FOR EXPOSED CONDUITS. REUSE EXISTING CONDUIT WHERE SHOWN.
- PROVIDE GROUNDING FOR ALL EQUIPMENT IN ACCORDANCE WITH ARTICLE 250 OF THE NATIONAL ELECTRICAL CODE.
- ALL ENCLOSURES SHALL BE OF THE NEMA TYPE WHICH IS SUITABLE FOR THE APPLICATION.
- SEAL ALL CONDUIT PENETRATIONS TO MATCH RATING OF WALL BEING PENETRATED.
- ALL WORK SHALL HAVE PROPER LABELING AND NAMEPLATES. ALL CIRCUITS SHALL BE LABELED AT PANELS AND BOXES AS INDICATED. ALL PANELS AND DISCONNECTS ARE TO BE PERMANENTLY MARKED WITH NAME OR EQUIPMENT SERVED. ALL PANELS ARE TO BE PROVIDED WITH TREATMENT PANEL SCHEDULES.
- THOROUGHLY CLEAN ALL EQUIPMENT AND SYSTEMS BEFORE PLACING IN OPERATION. RESTORE FINISHED SURFACES IF DAMAGED AND DELIVER THE ENTIRE INSTALLATION IN AN APPROVED CONDITION. INSTRUCT THE OWNER'S PERSONNEL IN THE PROPER OPERATION AND MAINTENANCE OF THE SYSTEMS. FURNISH THE OWNER WITH THREE SETS OF OPERATION AND MAINTENANCE MANUALS FOR EACH SYSTEM.
- GUARANTEE THE WORK INSTALLED FOR A PERIOD OF ONE YEAR AFTER DATE OF FINAL ACCEPTANCE. DEFECTS WHICH APPEAR AS A RESULT OF NORMAL USAGE SHALL BE REMEDIED BY THE CONTRACTOR TO THE COMPLETE SATISFACTION OF THE OWNER WITHOUT COST TO THE OWNER.
- CONTRACTOR SHALL KEEP CURRENT A SET OF PLANS FOR THE DURATION OF CONSTRUCTION WITH ALL CHANGES TO WORK NEATLY AND ACCURATELY MARKED IN RED AND SHALL TURN OVER TO OWNER AT COMPLETION OF PROJECT.
- ALL ELECTRICAL EQUIPMENT SHALL BE INSTALLED TO MEET SEISMIC REQUIREMENTS OF 2012 IBC.

ABBREVIATIONS:

AFF	ABOVE FINISH FLOOR
AFG	ABOVE FINISHED GRADE
BKR	BREAKER
CU	COPPER
CKT	CIRCUIT
DWG	DRAWING
EC	ELECTRICAL CONTRACTOR
FU	FUSE
FNE	FURNISHED WITH EQUIPMENT
GFI	GROUND FAULT INTERRUPTER DEVICE
MCC	MOTOR CONTROL CENTER
MFR	MANUFACTURER
MSB	MAIN SWITCHBOARD
NTS	NOT TO SCALE
PH	PHASE
PNL	PANEL
REQD	REQUIRED
SW	SWITCH
UNO	UNLESS NOTED OTHERWISE
UNGD	UNDERGROUND
W/	WITH
WP	WEATHER PROOF
XFMR	TRANSFORMER

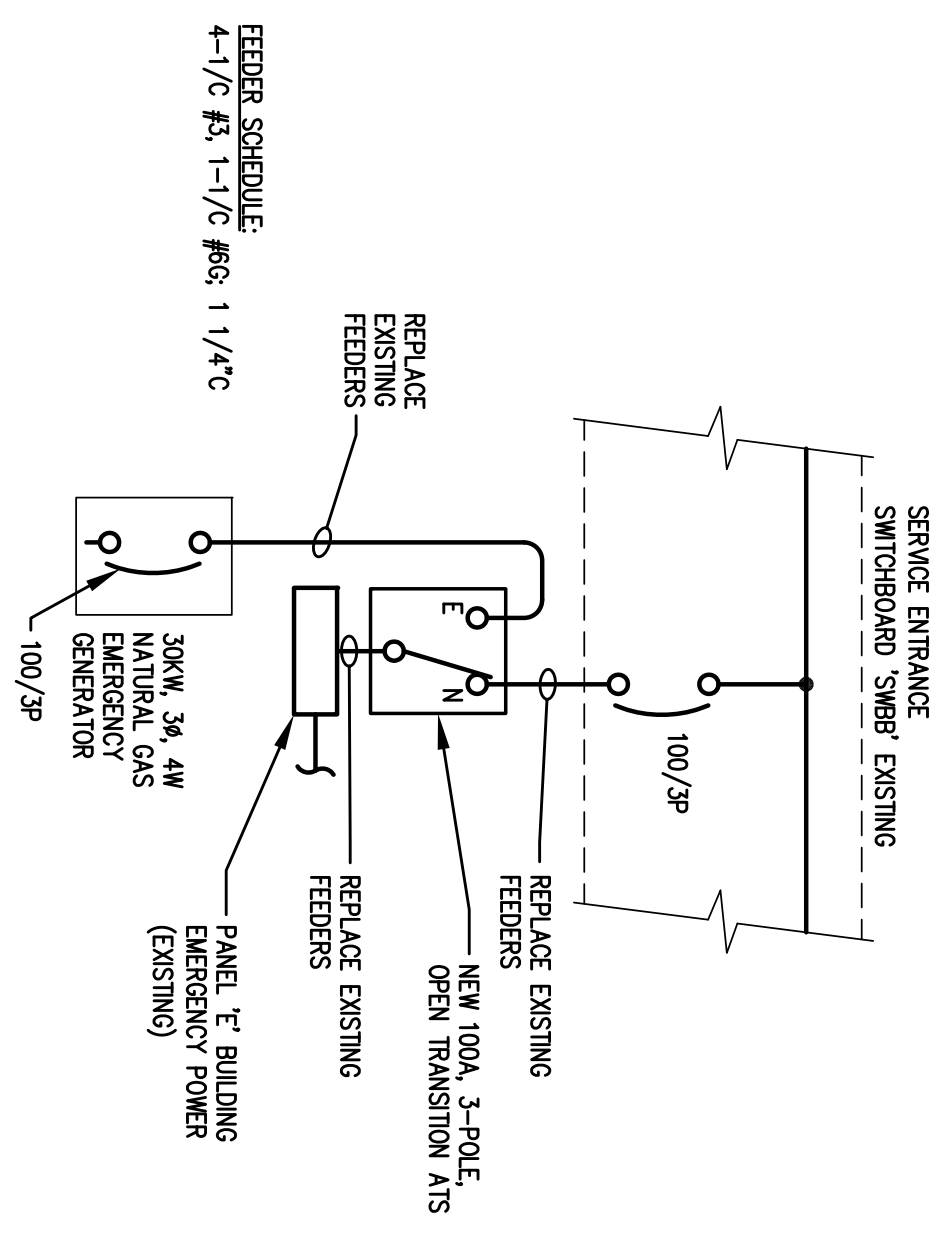


A ELECTRICAL PLAN - BASEMENT
 E111 SCALE: 1/8" = 1'-0"
 PROJECT NORTH
 1/8" = 1'-0"

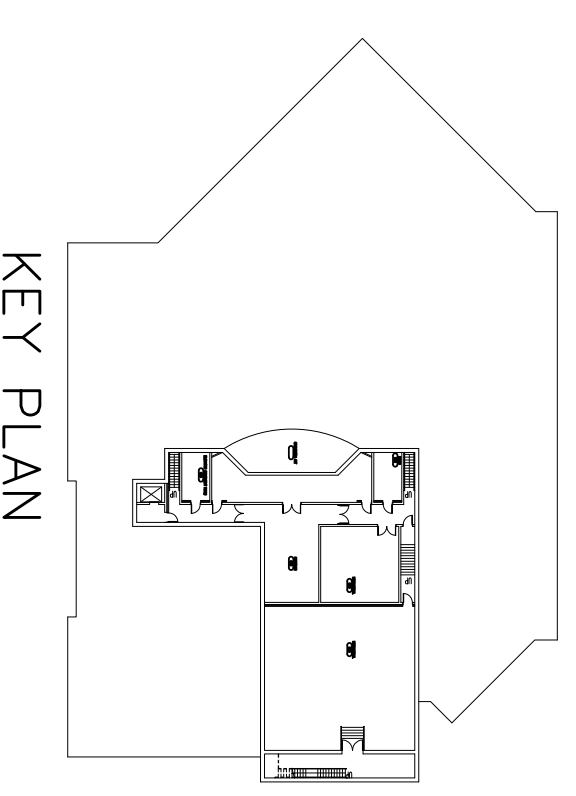


- GENERAL NOTES:**
- MODIFY EXISTING CONCRETE BASE FOR EQUIPMENT EXTENDING 6" BEYOND EQUIPMENT. ALL DIMENSIONS.
 - PROVIDE CONNECTION BACK TO EXISTING NATURAL GAS SUPPLY. PROVIDE ALL MODIFICATIONS REQUIRED.
 - PROVIDE LIGHTING FIXTURES (2) AND GFI RECEPTACLE AS SPECIFIED. SEE SPECIFICATION 16200, SHEET E1.2.
 - PROVIDE (2) 5/8" x 8" GROUND RODS. BOND TOGETHER AND TO GANSET FRAME WITH 1/0 BARE COPPER.

B GENERATOR ELEVATION DETAIL
 E111 SCALE: NONE



C PARTIAL SINGLE LINE DIAGRAM
 E111 SCALE: NONE



UNIVERSITY OF SOUTH CAROLINA UPSTATE - HPAC - EMERGENCY GENERATOR REPLACEMENT

PROJECT NO.	REVISION	DATE	BY
14860A	0	2/20/14	DJB
	1		
	2		
	3		
	4		
	5		
	6		
	7		
	8		
	9		
	10		
	11		
	12		
	13		

BURDETTE ENGINEERING
 102 PILGRIM ROAD
 GREENVILLE, SC 29607
 (864)297-8717 TEL
 (864)297-8719 FAX

UNIVERSITY OF SC UPSTATE
 HPAC - EMERGENCY GENERATOR
 REPLACEMENT

 SC PROJECT NO. SPARTANBURG, SOUTH CAROLINA

