



# South Carolina

F.P.D.C.

Design Services

## Wellness Screen Options

### Desktop Models

- Freestanding
- Clamp-on
- Surface Attached

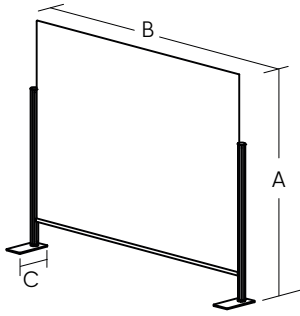
# ACCESSORIES PROTECTIVE SCREENS

price list

## *Worksurface Freestanding & Universal Protective Screens for Transaction Top*

- Steel footing 1 ¼" x 6" silver finish
- Clear polymer ⅛"
- Clear anodized aluminum frame (finish 4000)
- Shipped "Ready to assemble"
- 4" opening underneath
- Side post height is 24" to match "U Shape" and Straight protective screens post

**SC State Contract**



Dimensions			Code	Price	Packaging dimensions			Spec.	
A	B	C			Height	Width	Depth	Cu.Ft.	lb
36	36	6	<b>EPUTD 36 36 6</b>	506 <del>\$242.88</del>	36.5	36.5	1.75	1.3	12
36	48	6	<b>EPUTD 36 48 6</b>	561 <del>\$269.28</del>	36.5	48.5	1.75	1.8	14

See the technical data sheets for the exact dimensions, [p.10](#).

**Can be secured with Double-sided tape**

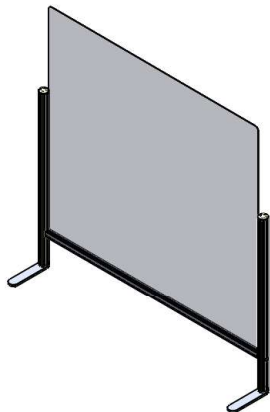
**S SPECIFY**

Code  
AC -  - 4000

**S Code:** Consult the product code above

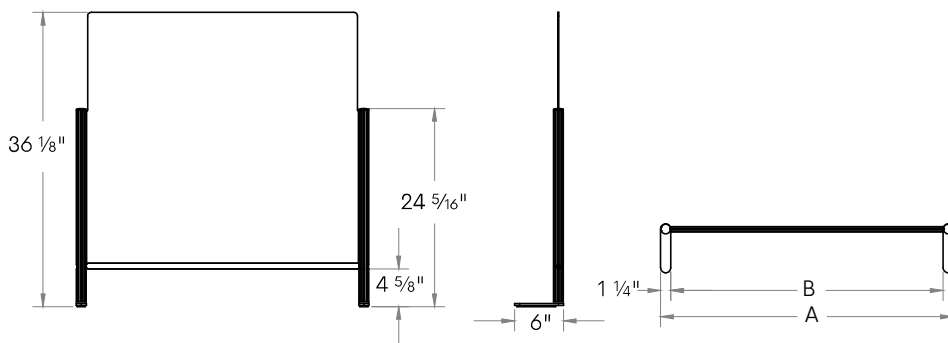
Technical data sheets

Worksurface Freestanding & Universal Protective Screens for Transaction Top



Dimensions		Code
A	B	
47 <sup>15</sup> / <sub>16</sub>	45 <sup>7</sup> / <sub>16</sub>	EPUTD 36 48 6
35 <sup>15</sup> / <sub>16</sub>	33 <sup>7</sup> / <sub>16</sub>	EPUTD 36 36 6

Can be secured with Double-sided tape

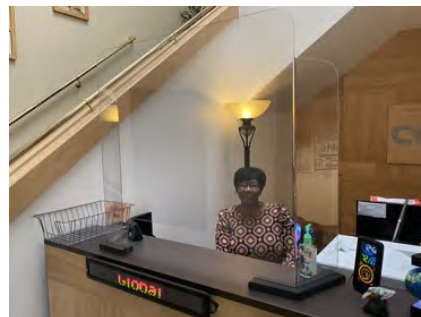
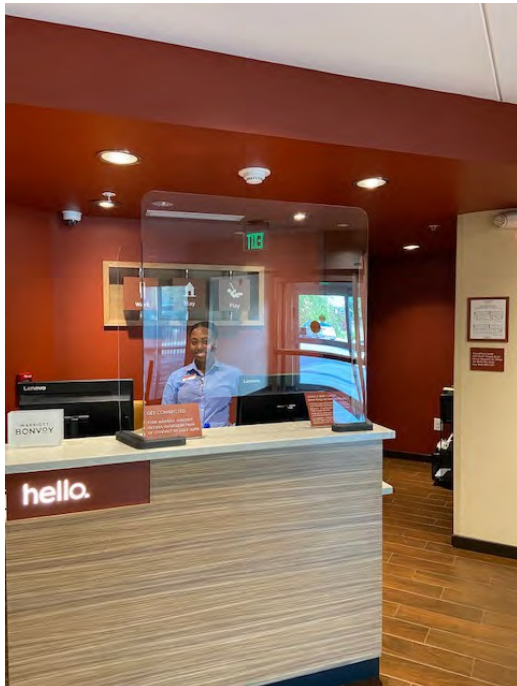
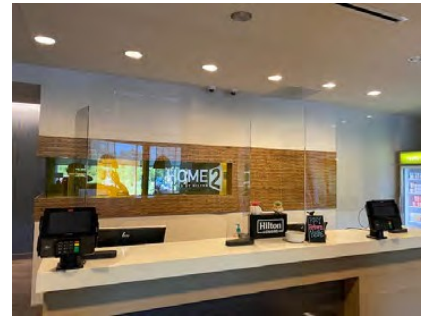


Worksurface Freestanding & Universal Protective Screens

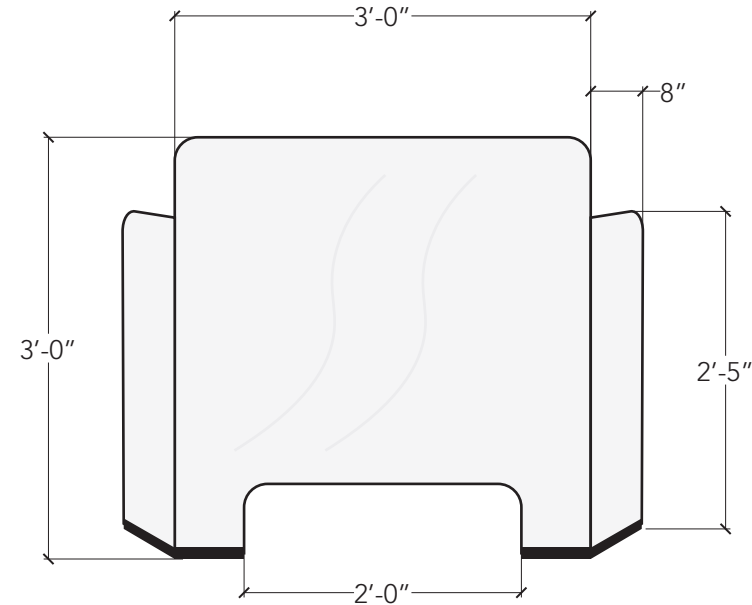
# CLOSE CONTACT: RECEPTION BARRIERS

**Desktop - Freestanding**

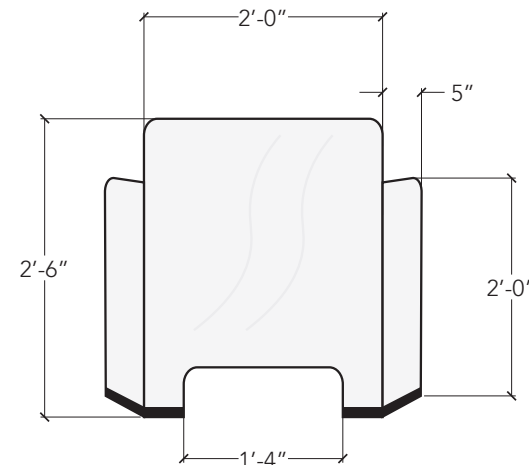
**Open Market - Installation Not included**



Our sturdy, easy-to-setup, polycarbonate reception barriers are designed to protect people in close-proximity situations in locations like lobbies, checkout areas, or anywhere that larger distances can't be maintained.



3' Option

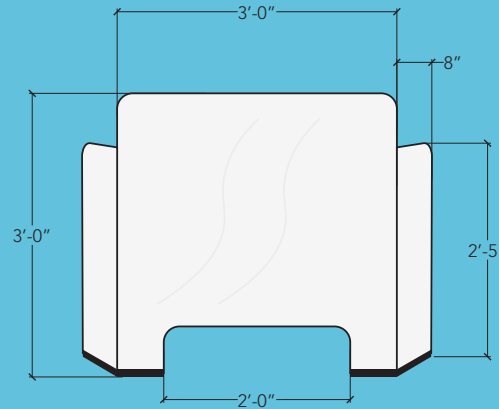


2' Option

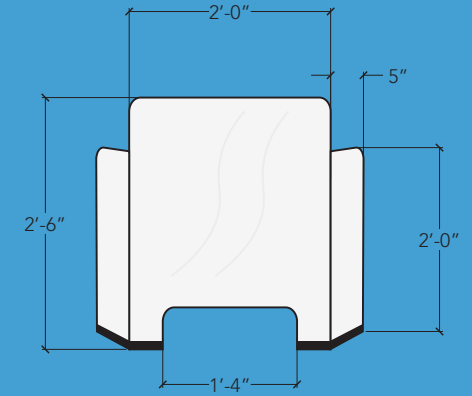


## PRICING (MSRP)

### 3-FOOT OPTION



### 2-FOOT OPTION



QUANTITY 1-10

\$225

\$200

QUANTITY 11-25

\$200

\$175

QUANTITY 26-50

\$185

\$160

QUANTITY >50

\$170

\$150

**\*Pricing is for product only. Shipping and sales tax are not included. Local pickup is available.**

**Desktop - Freestanding**  
**Open Market - Installation Not included**

FastSigns

Sneeze Guard - 31"H x 24"W

\$125.00



Personal protection in the workplace has never been more important. fluidconcepts protective desk and counter screens provide a direct barrier between employees, patients and clients.

## Three Models

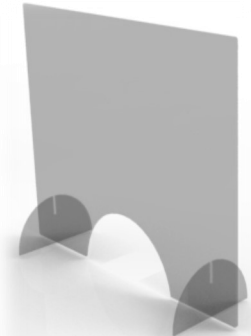
Can be secured with Double-sided tape



Linear Model



Enclose Model



All-Clear Model



## Features

- Sets Up in Minutes
- Various Heights and Widths
- 3" High Open Bottom Access for Document Pass-thru (Framed Models)
- Offered in 3 Models, Enclose, Linear, All-Clear
- Easily Cleaned and Disinfected with Healthcare Grade Solutions
- Durable Metal Frame Construction for Years of Use (Framed Models)
- Linkable and Connectable with Spline Connector (Framed Models)
- Freestanding or can be Secured to Surfaces
- Rubber Bumpers on base to eliminate Surface Slipping

## Materials

- Anodized Aluminum Frame
- Clear Acrylic Panes
- 95% Recyclable
- Powdercoated Metal Base (Linear Model)



www.fluidconcepts.ca sales@fluidgroup.com 1.866.933.5258

Copyright of fluidconcept & design inc. All rights, industrial designs and copyrights reserved. Patents Pending.

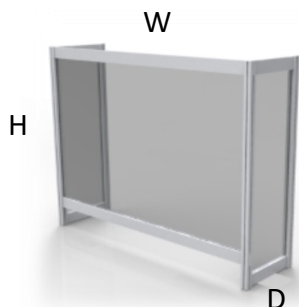


# Protective Desk Screens

Can be secured with Double-sided tape

## Sizes

Enclose Model

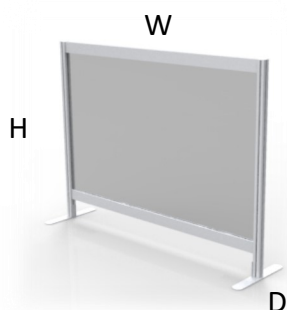


Enclosed Model					
Product Code	List Price	Width	Height	Depth	

SC State Contract

32" High					
PRSCRE2432	475	<b>\$237.50</b>	24"	32"	10"
PRSCRE3032	525	<b>\$262.50</b>	30"	32"	10"
PRSCRE3632	550	<b>\$275.00</b>	36"	32"	10"
PRSCRE4232	600	<b>\$300.00</b>	42"	32"	10"
PRSCRE4832	650	<b>\$325.00</b>	48"	32"	10"
PRSCRE6032	725	<b>\$362.50</b>	60"	32"	10"

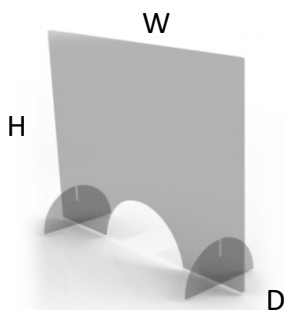
Linear Model



Linear Model					
Product Code	List Price	Width	Height	Foot Depth	

32" High					
PRSCRL2432	425	<b>\$212.50</b>	24"	32"	10"
PRSCRL3032	475	<b>\$237.50</b>	30"	32"	10"
PRSCRL3632	500	<b>\$250.00</b>	36"	32"	10"
PRSCRL4232	525	<b>\$262.50</b>	42"	32"	10"
PRSCRL4832	550	<b>\$275.00</b>	48"	32"	10"
PRSCRL6032	695	<b>\$347.50</b>	60"	32"	10"

All-Clear Model



### Splines for Connecting Screens Together

#### Hard Connect (Straight)

PRSCRS32 40 **\$20.00**

#### Flex Spline (for connecting screens at angles)

PRSCRSF32 50 **\$25.00**

Product Code	List Price	Width	Height	Foot Depth	
--------------	------------	-------	--------	------------	--

<b>All Clear - 32" High with Half Moon Access Hole (14" w x 6" H)</b>					
HRBPROSCREEN2432	450	<b>\$425.00</b>	24"	32"	10"



\* Please contact your local fluidconcepts dealer for Net Pricing

www.fluidconcepts.ca sales@fluidgroup.com 1.866.933.5258

Copyright of fluidconcept & design inc. All rights, industrial designs and copyrights reserved. Patents Pending.





WELLNESS

# SCREENS

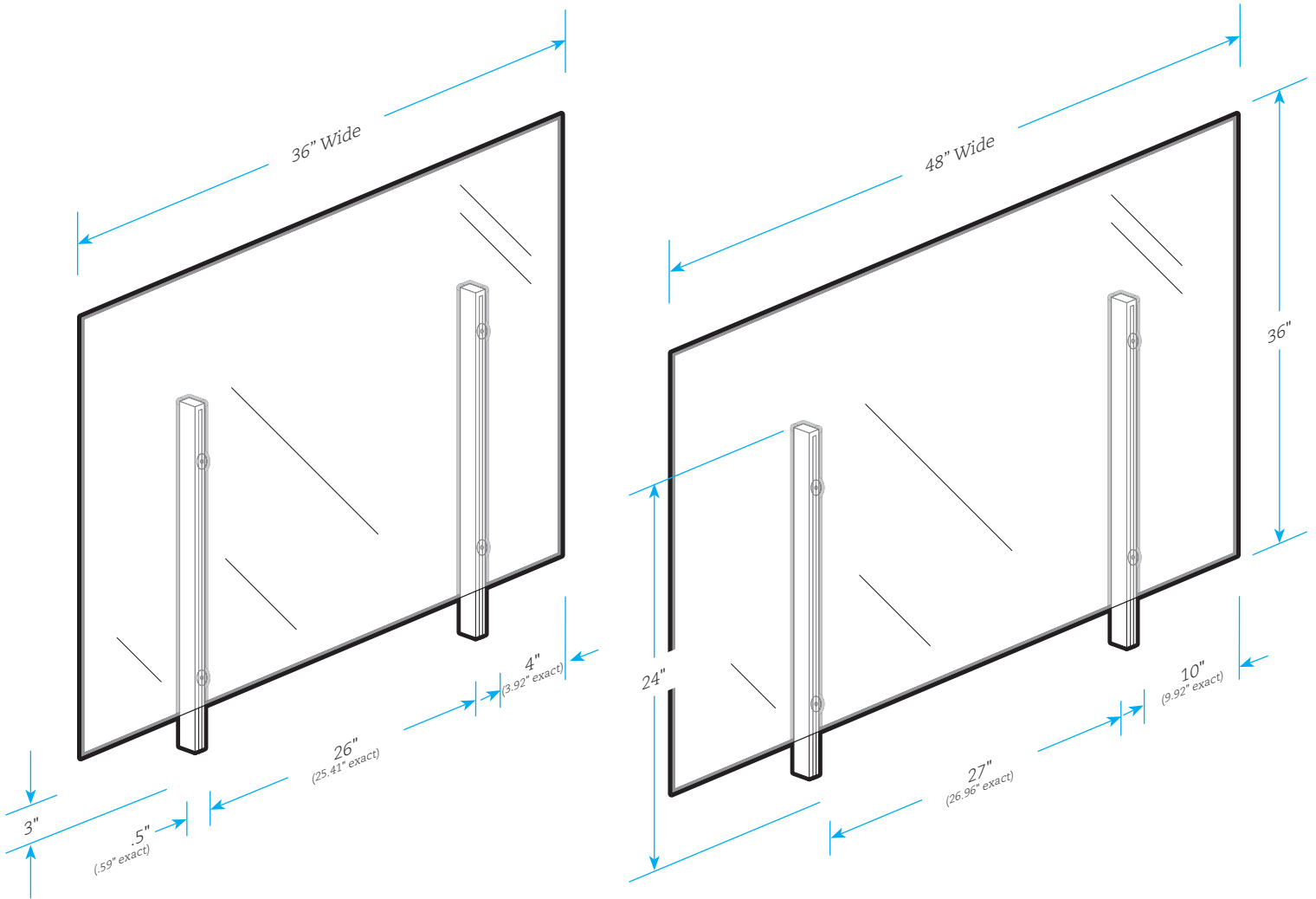
wellness solutions



# Wellness Screens

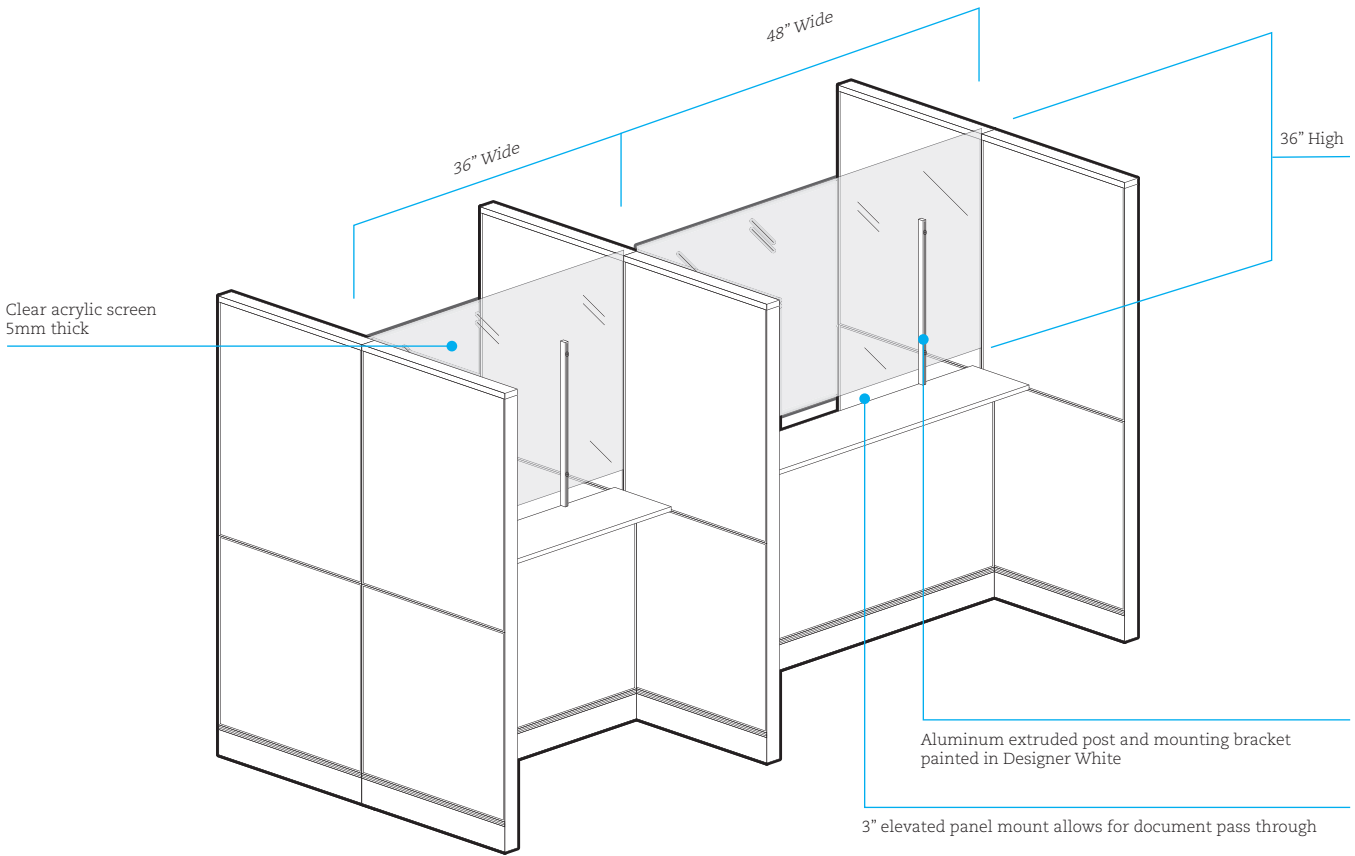
## Protective barriers to help prevent the spread of germs

Provide your employees and customers with a protective barrier to help prevent the spread of germs. Often referred to as sneeze guards, these screens are designed to integrate into reception, open plan offices and point of sale areas. Made from clear acrylic, these screens are easy to wipe clean and sanitize to help maintain a healthy environment. Several mounting options allow the screens to be easily secured and removed without damaging the existing furniture or used as a permanent fixture.



Wellness Screens

Protective barriers to help prevent the spread of germs

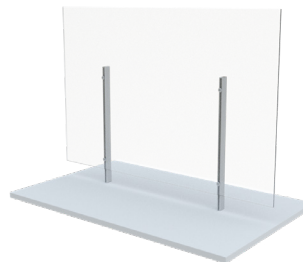


Product Options



**GCTCSG**

- For use with existing worksurface or transaction top
- Aluminum extruded post with "C" mounting bracket
- Connects to 1" / 1 1/8" (LP) or 1 1/2" (W) tops



**GCBMSG**

- Freestanding board mounted screen
- Laminate base is 12" deep, 36/48" wide available in standard finishes



Please visit [globalfurnituregroup.com](http://globalfurnituregroup.com) for additional product information including environmental certifications.



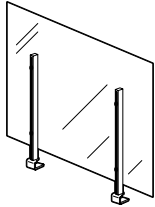
**U.S.A.**  
Global Furniture Group  
17 West Stow Road P.O. Box 562  
Marlton New Jersey U.S.A. 08053  
Tel (856) 596-3390 (800) 220-1900  
Fax (856) 596-5684


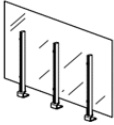
**Canada**  
Global Furniture Group  
1350 Flint Rd., Toronto Ontario Canada M3J 2J7  
Sales & Marketing: Tel (1-877) 446-2251  
Customer Service: Tel (800) 361-3782  
Government Customer Service: Fax (416) 739-6319

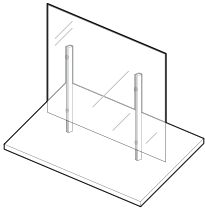
Offices throughout Canada, United States, United Kingdom and Brazil. Distribution around the world. A member of Global Furniture Group. © 2020 ©™ Trademarks of Global Furniture Group. These products may be covered by one or more issued patents or pending patent applications in Canada, the U.S. and elsewhere. All intellectual property rights in applicable trademarks, patents and industrial designs are strictly reserved. Made in Canada. Specifications are correct at time of printing. 040820



WELLNESS SCREENS	MODEL#	DIMENSIONS D x W x H	FREIGHT CLASS	WT/LBS.	CUBIC FT.	LIST PRICE	
<ul style="list-style-type: none"> <li>• Surface mounted wellness guard provides a physical divider</li> <li>• Acrylic glazing is clear and support rails are painted Designer White (DWT).</li> <li>• Kit includes all hardware to install on an existing surface</li> <li>• Aluminum extruded posts</li> </ul>	<b>Laminate Finishes (for GCBMSGxxxxLP):</b>						
	ACJ	Absolute Acajou	ASN	Asian Night			
	AWC	Avant Cherry	AWH	Avant Honey			
	BLK	Black	BRC	Brushed Cobalt			
	CMB	Clear Maple	CGY	Custom Grey			
	DES	Dark Espresso	DWT	Designer White			
	HGT	Hayden Grey	QTM	Quartered Mahogany			
	SKC	Shaker Cherry	SOG	Storm Grey			
	STG	String	TFW	Tiger Fruitwood			
	TMP	Tiger Maple	TWL	Tiger Walnut			
	WHE	Walnut Heights	WHC	White Chocolate			
	WCR	Winter Cherry	WGY	Willow Grey			

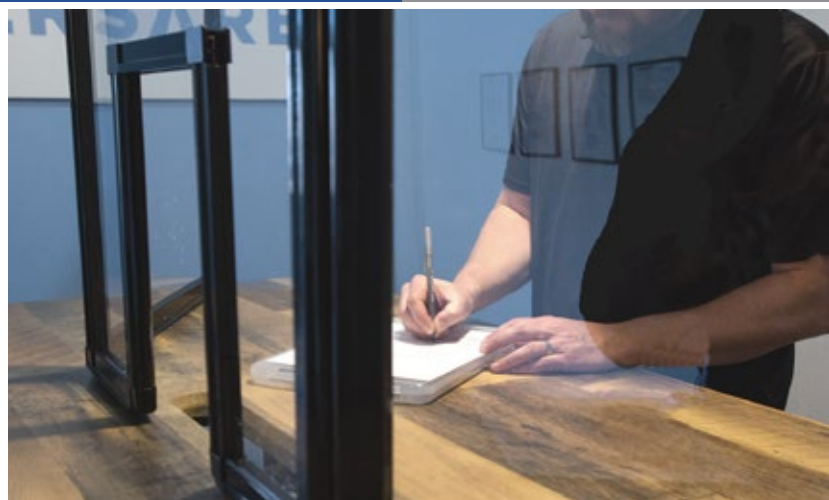
WELLNESS SCREENS	MODEL#	DIMENSIONS D x W x H	FREIGHT CLASS	WT/LBS.	CUBIC FT.	LIST PRICE	
 <p><b>Wellness Screen - Clamp Mount</b></p>	GCTCSG3636LP	3 x 36 x 36	300	12	10	<del>\$447</del>	<b>\$223.50</b>
	GCTCSG3648LP	3 x 48 x 36	300	17	13	<del>\$558</del>	<b>\$279.00</b>
	GCTCSG3636W	3 x 36 x 36	300	12	10	<del>\$459</del>	<b>\$229.50</b>
	GCTCSG3648W	3 x 48 x 36	300	17	13	<del>\$569</del>	<b>\$284.50</b>
<p>Includes clamp mount brackets, for use with existing worksurface or transaction top. Select model ending in <b>LP</b> for tops up to 1-1/8" thick or <b>W</b> for tops up to 1 1/2" thick</p>							

Wellness Screen - Clamp Mount	GC Quote #	List		
<b>Model Number</b>				
GCTCSG3623LP	313972	492	<b>\$246</b>	
GCTCSG3624LP	313973	492		
GCTCSG3629LP	313974	492	<b>\$492</b>	
GCTCSG3630LP	313975	492		
GCTCSG3658LP	313976	984		
GCTCSG3660LP	313977	984		
GCTCSG3670LP	313978	984		
GCTCSG3672LP	313979	984	48"W and Under	58" and over

 <p><b>Wellness Screen - Freestanding*</b></p>	GCBMSG3636LP	12 x 36 x 36	250	23	10	<del>\$496</del>	<b>\$248.00</b>
	GCBMSG3648LP	12 x 48 x 36	250	30	13	<del>\$639</del>	<b>\$319.50</b>
<p>12"D, board mounted. Available in all standard Global laminate finishes.</p>							

**Required Specifications**  
Finish\*

# MITYLITE®

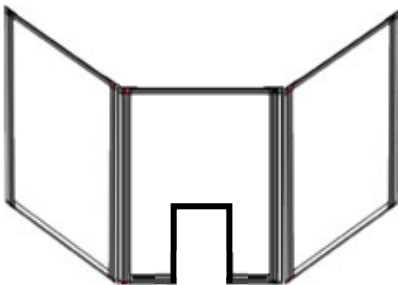


**Desktop - Freestanding & Surface Attached**

## COUNTERTOP SHIELDS

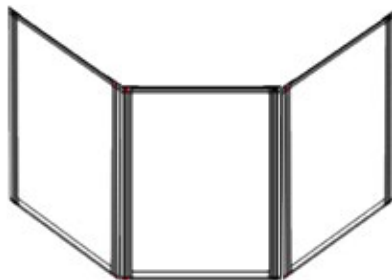
Direct Purchase - Educational Contract

**Installation Not included**



**MCSC336X80CLR**  
**List \$ 1,720.00**  
**Sell \$ 653.43**

**Overall Dimensions**  
 36 1/2"H x 28"W x 27 1/2"D  
 w/ 13 3/4" x 8 1/4"  
 cut-out centered



**MCSE336X80CLR**  
**List \$ 1,474.00**  
**Sell \$ 559.95**

**Overall Dimensions**  
 36 1/2"H x 28"W x 27 1/2"D  
 (28"W - 54"W SPAN)



**MCSS129X32CLR**  
**List \$ 490.00**  
**Sell \$ 186.03**

**Overall Dimensions**  
 29"H x 32 1/2"W  
 w/ 6 1/2" x 30"  
 opening below



**MCSS132X23CLR**  
**List \$ 490.00**  
**Sell \$ 186.03**

**Overall Dimensions**  
 32"H x 23"W  
 w/ 6 1/2" x 20 1/2"  
 opening below

## Desktop - Freestanding

[Direct Purchase - Educational Contract](#)

Designed to help employees and customers feel more protected amidst the current crisis, these clear, acrylic partitions provide a shield that prevents direct physical and airborne contact.

Available in four models.

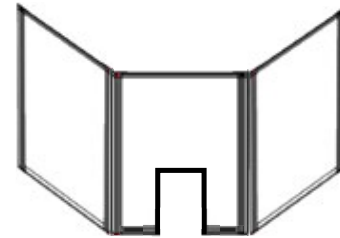
**Can be secured with Double-sided tape**

### PERFECT FOR:

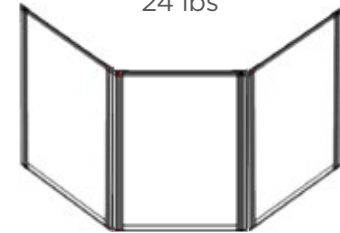
- Hospitality
- Public Assembly Spaces
- Government Offices
- Educational Environments
- Hospitals/Clinics
- Pharmacies
- Reception/Front Desk
- Banks
- Convenience Stores
- Grocery Stores
- Worship Services

### KEY PRODUCT LINE BENEFITS

- Manufactured in the USA
- Ships in 5 to 7 business days
- Free freight in the Contiguous USA
- Solid aluminum frame with clear acrylic construction
- 3-year warranty
- Easy to clean with wipes, bleach, and common disinfectants
- Practical design features an opening at the bottom or a cutout for the transfer of small items, papers, and payment
- Scan barcodes through the acrylic to prevent physical contact
- Sturdy design weighs 12-24 pounds and is not easily tipped over (use screws or adhesive strips for added stability)
- Fully collapsible folding to a depth of 3 inches



24 lbs



24 lbs



12 lbs



12 lbs



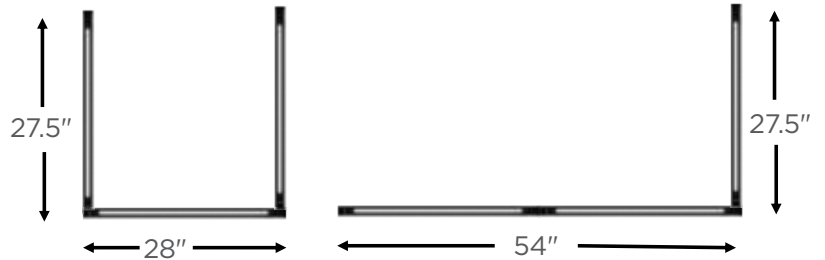
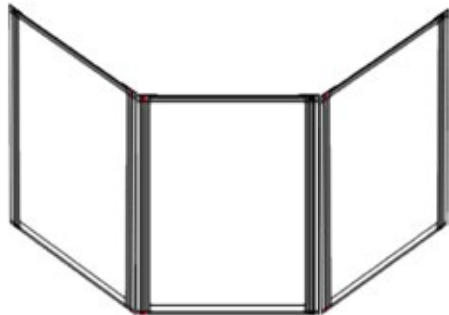
"This screen would make me a lot more comfortable when talking with sick people coming into this clinic. I try to be personal to all customers but I've got to keep my distance from sick people."

-Pharmacist, Minnesota

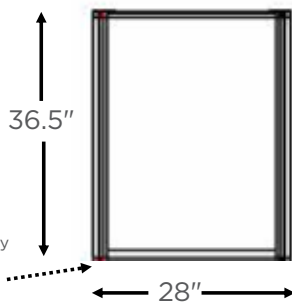


**Desktop - Freestanding**  
**Can be secured with Double-sided tape**  
**COUNTERTOP SHIELD**

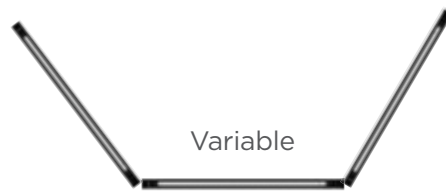
Direct Purchase - Educational Contract



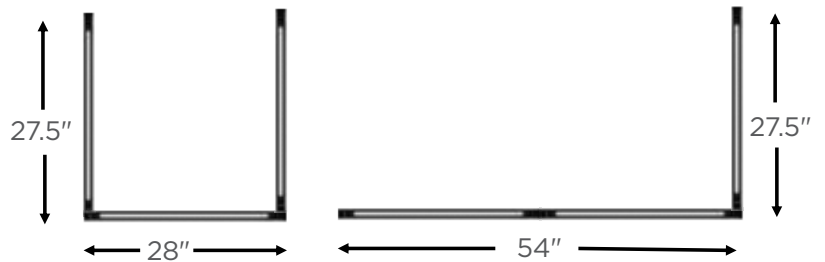
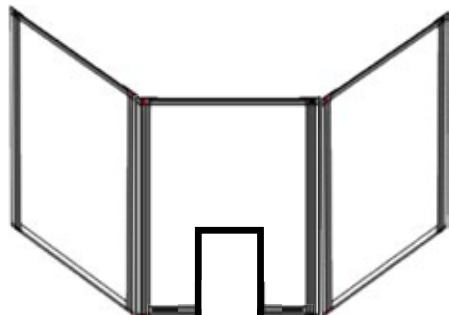
Dimensions represent framed panel sizing.



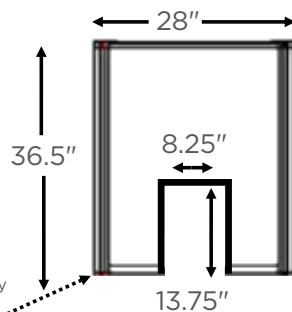
\*Total height variability based on foot/hardware used.



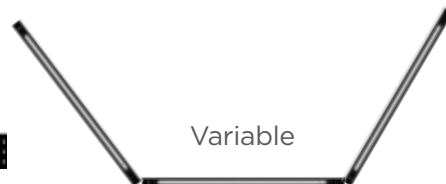
**COUNTERTOP SHIELD WITH CUTOUT**



Dimensions represent framed panel sizing.



\*Total height variability based on foot/hardware used.

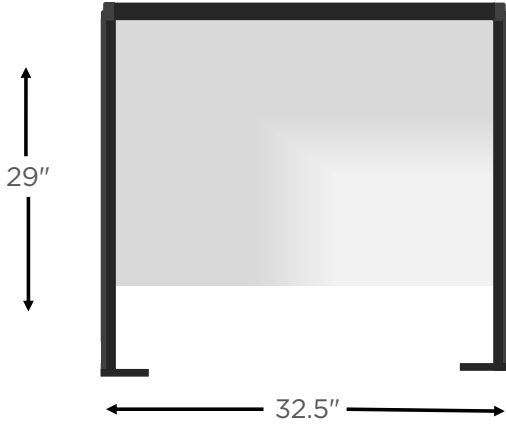


## Desktop - Freestanding & Surface Attached

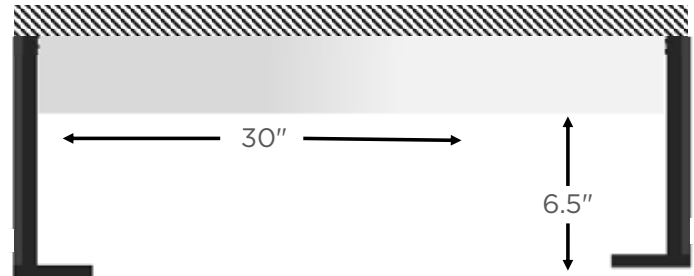
Can be secured with Double-sided tape

### COUNTERTOP SINGLE SHIELD

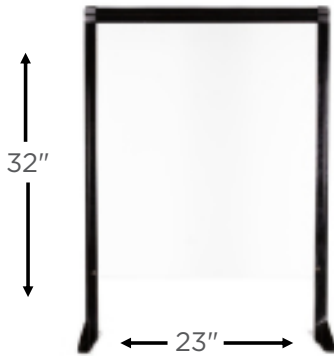
Direct Purchase - Educational Contract



Dimensions represent framed size.



Inside window dimensions



Inside window dimensions





# [ STRAIGHT SCREENS ]

SC State  
Contract

FROM RETAIL TO  
HOSPITALITY, YOU  
CAN PROTECT  
YOUR GUESTS AND  
EMPLOYEES

## 30"H Straight Acrylic Square Edge - No Bracket Included

CLEAR PANELS			
SKU	DESCRIPTION	LIST PRICE	
ACRV3024C	Clear Acrylic 30"H x 24"	\$229.00	<b>\$114.50</b>
ACRV3030C	Clear Acrylic 30"H x 30"	\$286.00	<b>\$143.00</b>
ACRV3036C	Clear Acrylic 30"H x 36"	\$343.00	<b>\$171.50</b>
ACRV3042C	Clear Acrylic 30"H x 42"	\$400.00	<b>\$200.00</b>
ACRV3048C	Clear Acrylic 30"H x 48"	\$457.00	<b>\$228.50</b>
ACRV3054C	Clear Acrylic 30"H x 54"	\$515.00	<b>\$257.50</b>
ACRV3060C	Clear Acrylic 30"H x 60"	\$580.00	<b>\$290.00</b>
ACRV3066C	Clear Acrylic 30"H x 66"	\$629.00	<b>\$314.50</b>
ACRV3072C	Clear Acrylic 30"H x 72"	\$634.00	<b>\$317.00</b>



*Please Note:* The transaction spacing for screen panels using the PLTSBUDMDUAL brackets is  $\frac{3}{8}$ "H from the top of the table to be able to slide paper underneath.



*Please Note:* The transaction spacing for screen panels using the PLTSDMTM brackets is  $\frac{1}{2}$ "H from the top of the table to be able to slide paper underneath.

SC State  
Contract

TRANSACTION CUT-OUT			
SKU	DESCRIPTION	LIST PRICE	SALE PRICE
ACRCUT	Acrylic Transaction Cut-Out 3"H x 15"W	\$85.00	<b>\$ 42.50</b>



# [ SCREEN BRACKETS ]

FROM RETAIL TO HOSPITALITY, YOU CAN PROTECT YOUR GUESTS AND EMPLOYEES

## Screen Brackets

SETS OF TWO

SC State Contract

### DESK MOUNT SCREEN BRACKET

SKU: **PLTSDTM** (Set of 2) List: \$59.00 Sale: \$ 29.50

• Available in Silver & Black

Brackets mount directly to the top of the work surface when screens are installed as a desk divider. Brackets can also mount to the underside of the work surface when screens are being used as a modesty panel.

**Please Note:** Must order 1 set for each Acrylic Screen



ATTACHED

#PLTSDTM

### UNDER DESK MOUNT SCREEN BRACKET

SKU: **PLTSBUDMSG**L (Set of 2) List: \$69.00 Sale: \$ 34.50

• Available in Silver & Black

Brackets mount on to 1" work surfaces when screens are installed as a desk divider. Brackets can also be mounted to the underside of the work surface when using a screen as a modesty panel. Requires work surface overhang.



ATTACHED

#PLTSBUDMSG L

### DUAL UNDER DESK MOUNT SCREEN BRACKET

SKU: **PLTSBUDMDUAL** (Set of 2) List: \$90.00 Sale: \$ 45.00

• Available in Silver & Black

Brackets mount between two back to back 1" work surfaces when screens are installed as a desk divider between the two work surface. Brackets attach with wood screws to the underside of the workstation. Requires work surface overhang.

**Please Note:** Dual Brackets can be used without attaching to work surfaces.



FREESTANDING OR ATTACHED

#PLTSBUDMDUAL  
Black not pictured



## Finish Options - Brackets



Matte Black

Silver



# [ ACRYLIC SHIELDS ]

FROM RETAIL TO  
HOSPITALITY, YOU  
CAN PROTECT  
YOUR GUESTS AND  
EMPLOYEES

It's the responsibility of employers to create a safe work environment for employees who continue to travel to work and social distancing should play a big part of this. By following best practices, employers can keep their employees and communities safe without sacrificing productivity.

Our selection of shields can easily and quickly be added to any environment. Glass to fabric, freestanding to attached and everything in between. OfficeSource® can help you find a solution that meets your needs.



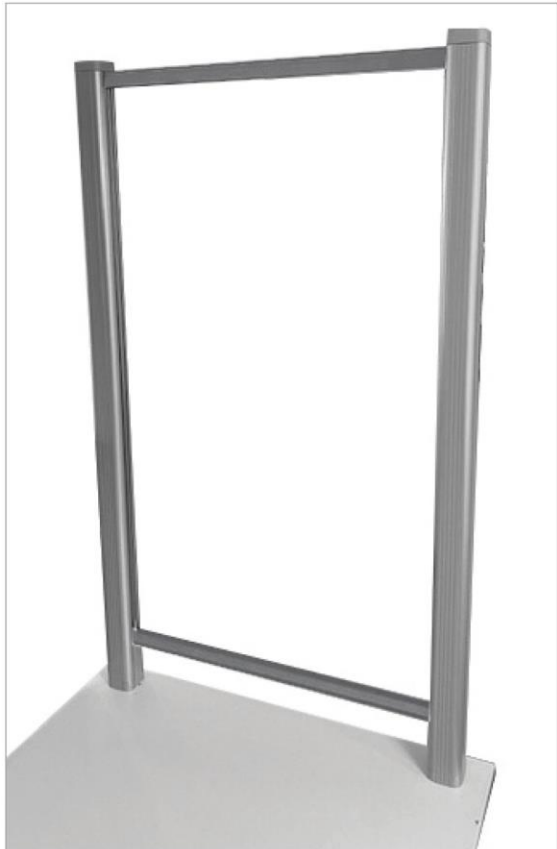
# [ BORDERS SCREENS ]

FROM RETAIL TO HOSPITALITY, YOU CAN PROTECT YOUR GUESTS AND EMPLOYEES

## Borders Extended Screen w/Clear Glass & Transaction Space

SC State Contract

36" POSTS - (EACH PANEL INCLUDES 2 POSTS)			
SKU	DESCRIPTION	LIST PRICE	SALE PRICE
ACRB3624CTS	24"W Clear Acrylic Screen w/Transaction Spacing For 36" posts	\$878.00	<b>\$439.00</b>
ACRB3630CTS	30"W Clear Acrylic Screen w/Transaction Spacing For 36" posts	\$942.00	<b>\$471.00</b>
ACRB3636CTS	36"W Clear Acrylic Screen w/Transaction Spacing For 36" posts	\$1,010.00	<b>\$505.00</b>
ACRB3642CTS	42"W Clear Acrylic Screen w/Transaction Spacing For 36" posts	\$1,103.00	<b>\$551.50</b>
ACRB3648CTS	48"W Clear Acrylic Screen w/Transaction Spacing For 36" posts	\$1,154.00	<b>\$577.00</b>
ACRB3660CTS	60"W Clear Acrylic Screen w/Transaction Spacing For 36" posts	\$1,333.00	<b>\$666.50</b>



Pictured With (1) Clear Acrylic Screen & (2) 36"H Posts.

OPTIONAL ACRYLIC SPACERS			
SKU	DESCRIPTION	LIST PRICE	SALE PRICE
ACRB36SPACER	Clear Acrylic Spacer Between 36"H Borders Posts	\$250.00	<b>\$125.00</b>



**Tip:** Transaction spacing allows for documents and other small items to be passed underneath the glass for person-to-person interaction.

**Please Note:** The transaction spacing for Borders Extended screen panels is 3"H from the top of the table to be able to slide papers through.

**These panels are great for bank tellers, office receptionists, administrative, medical, & retail.**



# [ BORDERS SCREENS ]

FROM RETAIL TO HOSPITALITY, YOU CAN PROTECT YOUR GUESTS AND EMPLOYEES

## Borders Extended Screen w/Clear Glass & No Transaction Space

SC State Contract



Pictured With (1) Clear Acrylic Screen & (2) 36"H Posts.

36" POSTS - (EACH PANEL INCLUDES 2 POSTS)			
SKU	DESCRIPTION	LIST PRICE	SALE PRICE
ACRB3624C	24"W Clear Acrylic Screen w/No Transaction Spacing For 36" posts	\$878.00	\$439.00
ACRB3630C	30"W Clear Acrylic Screen w/No Transaction Spacing For 36" posts	\$942.00	\$471.00
ACRB3636C	36"W Clear Acrylic Screen w/No Transaction Spacing For 36" posts	\$1,010.00	\$505.00
ACRB3642C	42"W Clear Acrylic Screen w/No Transaction Spacing For 36" posts	\$1,103.00	\$551.50
ACRB3648C	48"W Clear Acrylic Screen w/No Transaction Spacing For 36" posts	\$1,154.00	\$577.00
ACRB3660C	60"W Clear Acrylic Screen w/No Transaction Spacing For 36" posts	\$1,333.00	\$666.50

OPTIONAL ACRYLIC SPACERS			
SKU	DESCRIPTION	LIST PRICE	SALE PRICE

ACR36SPACER	Clear Acrylic Spacer Between 36"H Borders Posts	\$250.00	\$125.00
-------------	---	----------	----------





# ▶ FREESTANDING SNEEZE GUARD

Lead Time is 3 to 4 Weeks

**Desktop - Freestanding**



▶ **7500CL - Portable Freestanding All-Acrylic Sneeze Guard with Document Pass-Through**  
**List Price \$250 (Effective May 4th, 2020)**

Open Market  
**\$ 150.00**

- Transparent acrylic panel creates a physical barrier between people while still allowing proper voice and visual interactions
- Helps reduce exposure to airborne droplets and moisture produced by sneezing, coughing and talking
- Freestanding, portable design offers quick and easy relocation and repositioning
- Convenient pass-through opening accommodates small exchanges of documents or money
- Smooth, clean edges ensure a professional look and safer handling
- Ideal for small businesses, banks, offices and retail stores
- Perfect for use at reception stations, cashier stands, teller windows, service counters and personal desks
- Made from 100% clear acrylic for easy, wipe-down cleaning and maintenance
- Simple assembly – no tools required!
- Designed and manufactured in the USA
- Sneeze guard measures 30"W x 28"H x 8"D; pass-through opening measures 12"W x 5"H

**Installation & Freight Not included**





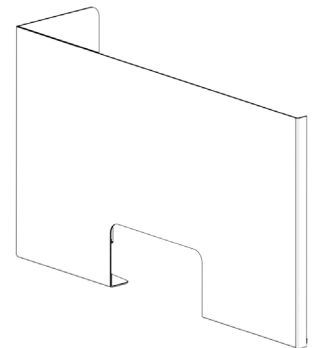
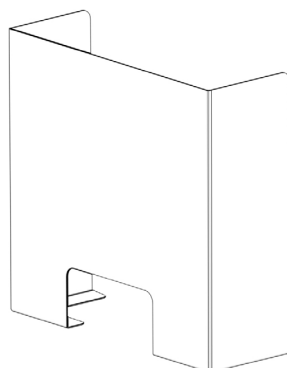
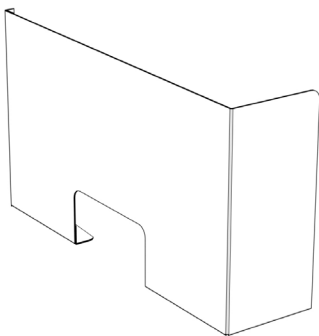
**Features:**

**Lead Time 2-4 weeks**

**Desktop - Freestanding**

- 3/8" Plexiglas
- 28" or 76" Widths
- Guards can be made smaller to any custom dimensions for no up-charge

MODEL #	PRODUCT DESCRIPTION	WIDTH (IN INCHES)	HEIGHT (IN INCHES)	LIST PRICE (IN USD)	SC State Contract
SSSNE4228	42"H x 28"W Sneeze Guard	28"	42"	\$456	\$228.00
SSSNE4276	42"H x 76"W Sneeze Guard	76"	42"	\$912	\$456.00



For more information about our products or to schedule a demo visit [www.swiftspaceinc.com](http://www.swiftspaceinc.com)

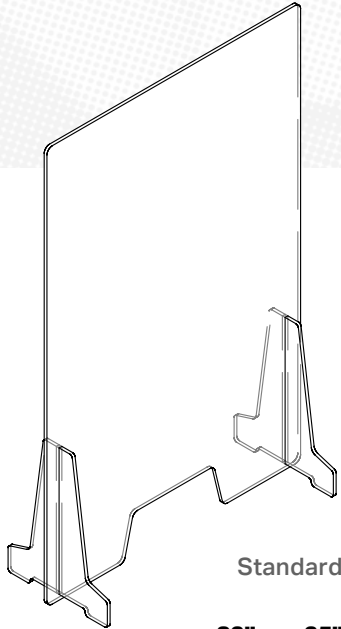


Direct Purchase - Open Market - Freight Not included

Desktop - Freestanding

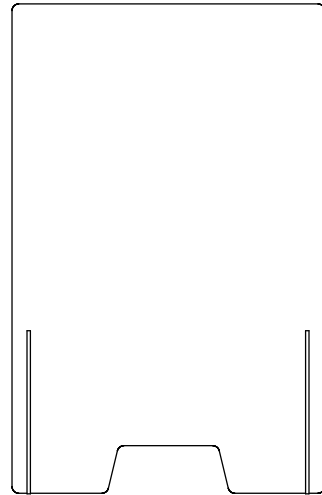
# Respond™

## \$175.00



Standard Size:

23" w x 35" h x 12" d  
35" w x 23" h x 9" d



### Protective Shields

#### Reliable personal interaction protection couldn't be simpler.

Business must continue. Customers and clients need the service your people provide. But the health risks will remain for the foreseeable future. Personal interactions must be made safer for everyone involved.

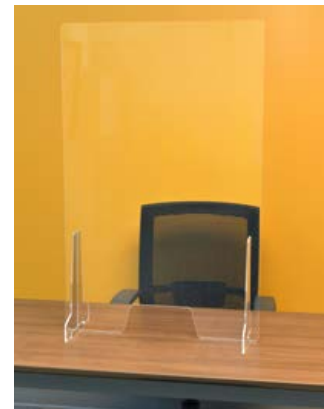
Assure protects your staff and the people they serve with its simple, reliable construction. It assembles in seconds and positions on any work surface – teller counters, desks, tables. No hardware is needed, so it's portable and repositionable – plus, it protects your furniture – no drilling or fasteners required.



Feet simply slide into position on shield.



No fasteners or hardware required



Position Assure on any work surface.

#### Provide nearly effortless protection.

- Easy to assemble in seconds. Just slide the two feet into position on the shield. Done.
- No tools or hardware required.
- Position on any work surface.
- Convenient pass-through allows safer transfer of documents and small items.
- Standard size: 23" w x 36" h x 9" d
- Custom sizes are available upon request.
- Repositionable and portable – quickly adjust to the situation.
- Constructed from .25" 100% acrylic
- Easy to clean and disinfect.
- Disassembles in seconds and packs flat for space-saving storage.